

2

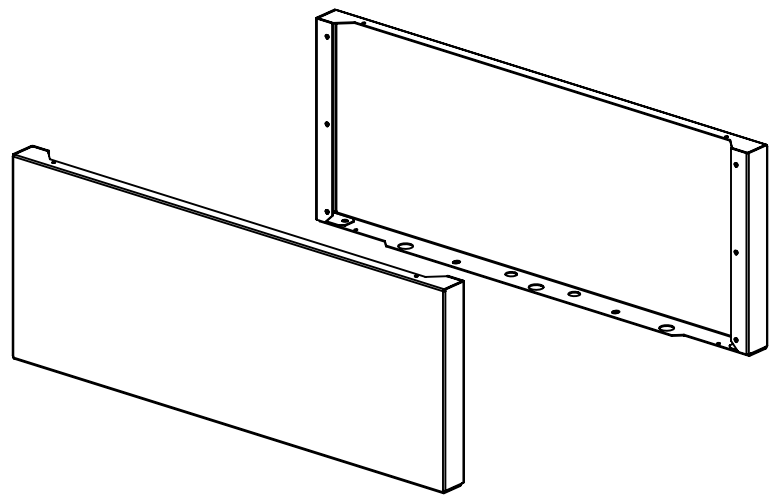
1

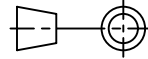

THIS COPY IS PROVIDED ON A RESTRICTED BASIS AND IS NOT TO BE USED IN ANY WAY DETRIMENTAL TO THE INTERESTS OF PANDUIT CORP.

PANDUIT P/N	WEIGHT KG	WEIGHT LBS
XG-TCF6B	3.0	6.6
XG-TCF6W	3.0	6.6
XG-TCF7B	3.4	7.5
XG-TCF7W	3.4	7.5
XG-TCF8B	3.8	8.4
XG-TCF8W	3.8	8.4

NOTES:

- VISIT OUR ON-LINE CATALOG AT [WWW.PANDUIT.COM](http://WWW.PANDUIT.COM) FOR A LIST OF CURRENT PARTS APPLICABLE FOR USE WITH THIS PRODUCT.
- PRIMARY DIMENSIONS ARE IN MILLIMETERS.
- PARTS SUPPLIED:  
(2) FASCIA  
(8) M5 X 12MM SCREWS (NOT SHOWN)
- INSTALLATION INSTRUCTION IS INCLUDED AND AVAILABLE ON [PANDUIT.COM](http://PANDUIT.COM)



PART NUMBER		SEE TABLE	
TITLE		FLEXFUSION TOP HAT FASCIA KIT	
CUSTOMER DRAWING			
ITEM REVISION NAME		01240EAB/00	
DATASET FILE NAME		01240EAB_DC/00B	
 THIRD ANGLE PROJECTION			
MATERIAL			
DRAWING NUMBER		01240EAB-DC	
DRAWN BY	DATE	CHK	SCALE
MES	11/28/2022	ANI	NONE
SHEET 1 OF 2		A	

A-SIZE CUSTOMER

2

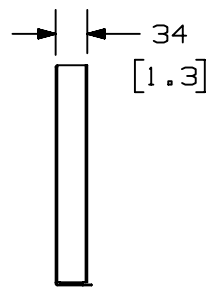
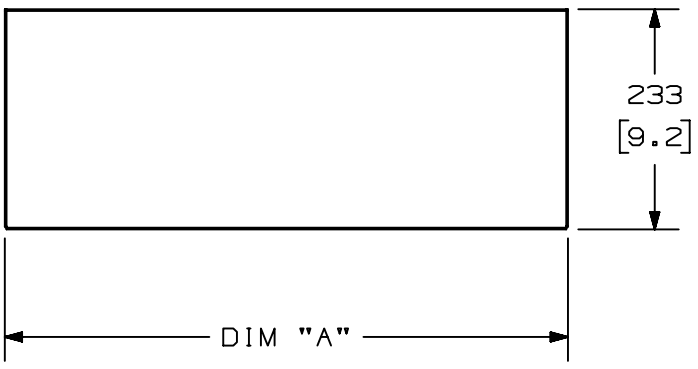
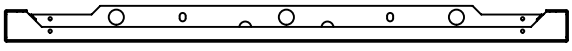
1

2

1

THIS COPY IS PROVIDED ON A RESTRICTED BASIS AND IS NOT TO BE USED IN ANY WAY DETRIMENTAL TO THE INTERESTS OF PANDUIT CORP.

PART NUMBER REFERENCE TABLE		
PART NO.	DESCRIPTION	DIM "A"
XG-TCF6B	600mm FASCIA	596 [ 23.5 ]
XG-TCF6W	600mm FASCIA	596 [ 23.5 ]
XG-TCF7B	700mm FASCIA	696 [ 27.4 ]
XG-TCF7W	700mm FASCIA	696 [ 27.4 ]
XG-TCF8B	800mm FASCIA	796 [ 31.3 ]
XG-TCF8W	800mm FASCIA	796 [ 31.3 ]



PART NUMBER		SEE TABLE	
TITLE			
FLEXFUSION TOP HAT FASCIA KIT			
CUSTOMER DRAWING			
ITEM REVISION NAME		01240EAB/00	
DATASET FILE NAME		01240EAB_DC/00B	
		THIRD ANGLE PROJECTION	
MATERIAL		N/A	
DRAWING NUMBER		01240EAB-DC	
DRAWN BY	DATE	CHK	SCALE
MES	11/28/2022	ANI	NONE
SHEET 2 OF 2			SIZE
			A

REV	DATE	BY	CHK	APR	DESCRIPTION	ECN
00B	2/15/2023	MES	ANI	ELE	FASCIA WAS FACIA	V09002TG/00
00A	11/28/2022	MES	ANI	ELE	DRAWING RELEASE	V09002TG/00

2

1

B

B

A

A

A-SIZE CUSTOMER

# Mouser Electronics

Authorized Distributor

Click to View Pricing, Inventory, Delivery & Lifecycle Information:

[Panduit:](#)

[XG-TCF8W](#) [XG-TCF8B](#) [XG-TCF6B](#) [XG-TCF7B](#) [XG-TCF6W](#) [XG-TCF7W](#)