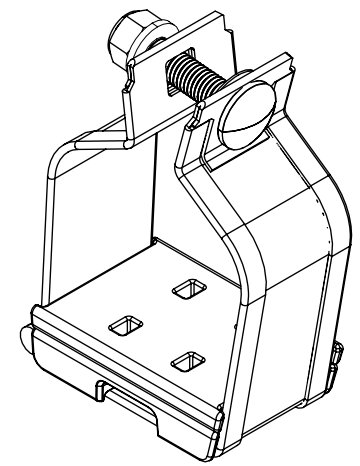


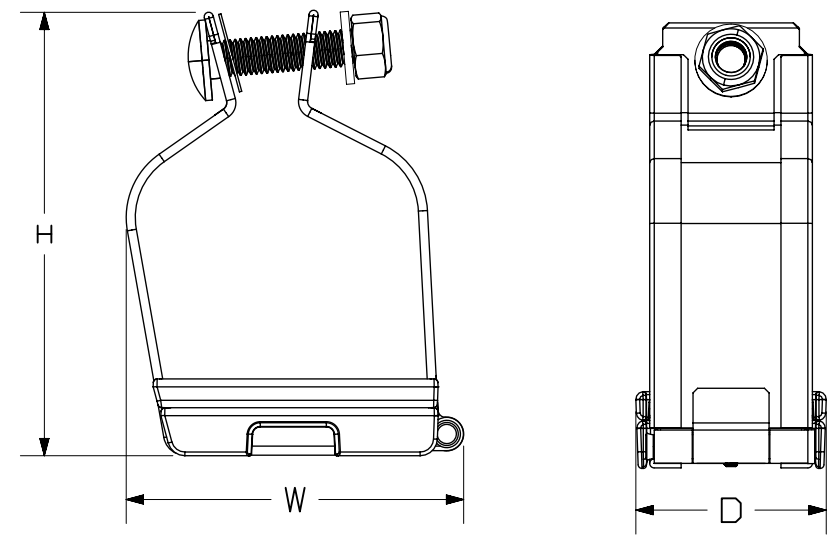
THIS COPY IS PROVIDED ON A RESTRICTED BASIS AND IS NOT TO BE USED IN ANY WAY DETRIMENTAL TO THE INTERESTS OF PANDUIT CORP.

NOTES:

1. VISIT OUR ON-LINE CATALOG AT WWW.PANDUIT.COM FOR A LIST OF CURRENT PARTS APPLICABLE FOR USE WITH THIS PRODUCT
2. DIMENSIONS IN [] ARE METRIC.
3. ALL MATERIALS AND COMPONENTS USED MEET THE MATERIAL RESTRICTIONS OF RoHS (EUROPEAN DIRECTIVE 2011/65/EU ON THE RESTRICTION OF HAZARDOUS SUBSTANCES) AS PROPOSED BY THE RoHS TECHNICAL ADAPTATION COMMITTEE.
4. TOP AND BOTTOM CLEAT SHELLS ARE 316L SS FASTENERS AND PIN ARE 18-8 SS.
5. MEETS IEC 61914:2015 SPECIFICATIONS
6. MOUNTING FASTENERS ARE NOT INCLUDED IN THE PACKAGE AND MUST BE PURCHASED SEPARATELY.
7. SELECT M8 OR 3/8" BOLT LENGTH SUITABLE FOR THE RUNG.
8. CABLE CLEAT BRACKET, PART NUMBER CBH#L##-V6, IS SOLD SEPARATELY
9. CONTACT PANDUIT SALES FOR CUSTOMIZED SOLUTIONS.



PART NUMBER	CABLE DIAMETER RANGE in. [mm]	"H" in. [mm]	"W" in. [mm]	"D" in. [mm]	WEIGHT lbs [g]
CCSSQD2226-X	0.87-1.02 [22-26]	4.05 [103]	2.76 [70]	2.48 [63]	.90 lbs [404 g]
CCSSQD2529-X	0.98-1.14 [25-29]	4.42 [112]	3.02 [76.7]	2.48 [63]	.94 lbs [426 g]
CCSSQD2834-X	1.10-1.34 [28-34]	4.80 [122]	3.46 [88]	2.48 [63]	1.05 lbs [477 g]
CCSSQD3339-X	1.30-1.54 [33-39]	5.30 [135]	3.97 [101]	2.48 [63]	1.13 lbs [512 g]
CCSSQD3844-X	1.50-1.73 [38-44]	5.77 [147]	4.39 [112]	2.48 [63]	1.25 lbs [566 g]



TITLE									
STAINLESS STEEL QUAD CABLE CLEAT									
CUSTOMER DRAWING									
ITEM REVISION NAME					00653ENZ/00				
DATASET FILE NAME					00653ENZ-DC/00A				
					THIRD ANGLE PROJECTION				
MATERIAL					316L STAINLESS STEEL				
DRAWING NUMBER					00653ENZ_DC				
DRAWN BY	DATE	CHK	SCALE						
DFTR	4/28/21	ADAH	NONE						
SHEET 1 OF 1				A					

A-SIZE CUSTOMER

00A	08/25/21	ACC	ADAH	ALP	INITIAL RELEASE	104453
REV	DATE	BY	CHK	APR	DESCRIPTION	ECN

Mouser Electronics

Authorized Distributor

Click to View Pricing, Inventory, Delivery & Lifecycle Information:

Panduit:

[CCSSQD2226-X](#) [CCSSQD2529-X](#) [CCSSQD2834-X](#) [CCSSQD3339-X](#) [CCSSQD3844-X](#)