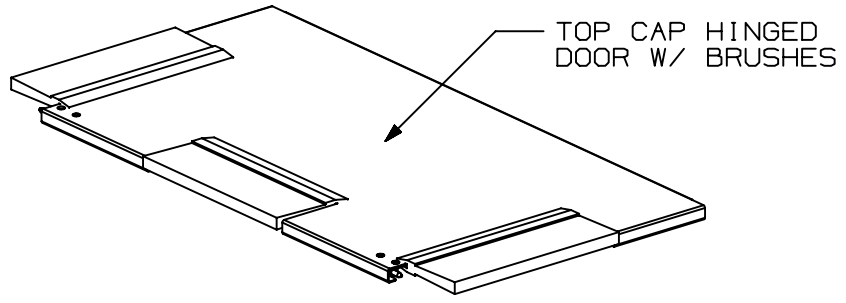


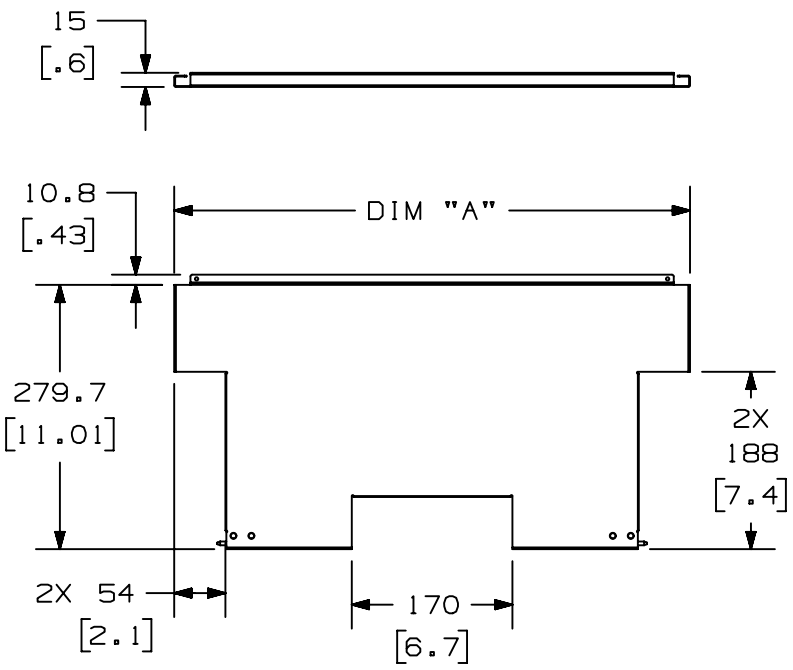
THIS COPY IS PROVIDED ON A RESTRICTED BASIS AND IS NOT TO BE USED IN ANY WAY DETRIMENTAL TO THE INTERESTS OF PANDUIT CORP.



- NOTES:
1. VISIT OUR ON-LINE CATALOG AT [WWW.PANDUIT.COM](http://WWW.PANDUIT.COM) FOR A LIST OF CURRENT PARTS APPLICABLE FOR USE WITH THIS PRODUCT.
  2. PRIMARY DIMENSIONS ARE IN MILLIMETERS.
  3. PARTS SUPPLIED:  
 (1) TOP CAP HINGED DOOR W/ BRUSHES  
 (1) INSTALLATION INSTRUCTIONS (NOT SHOWN)

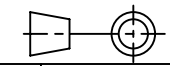
PART NO.	DESCRIPTION	DIM "A"	WEIGHT
XG-TCR6*	FLEXFUSION 600mm TOP CAP REAR DOOR	546 [ 21.5 ]	1.3 Kg/EACH 2.9 LBS/EACH
XG-TCR7*	FLEXFUSION 700mm TOP CAP REAR DOOR	646 [ 25.4 ]	1.6 Kg/EACH 3.4 LBS/EACH
XG-TCR8*	FLEXFUSION 800mm TOP CAP REAR DOOR	746 [ 29.4 ]	1.8 Kg/EACH 4.0 LBS/EACH

\* DENOTES COLOR  
 ADD SUFFIX "B" FOR BLACK AND "W" FOR WHITE.



\*NOTE: BRUSHES REMOVED FOR CLARITY.

TITLE		<b>FLEXFUSION TOP CAP REAR DOOR</b> (XG-TCR6*, XG-TCR7* & XG-TCR8*)							
		CUSTOMER DRAWING							
ITEM REVISION NAME		00463NGG/00		<b>PANDUIT</b>					
DATASET FILE NAME		00463NGG_DC/00A							
				MATERIAL:  N/A					
00A		2/17/21	MEX-JAGC	MSH	ELE	DRAWING RELEASE	V09002EM/02	DRAWING NUMBER: <b>00463NGG-DC</b>	
REV	DATE	BY	CHK	APR	DESCRIPTION	ECN			
								SHT 1 OF 1	A



THIRD ANGLE PROJECTION

DRAWN BY	DATE	CHK	SCALE	DRAWING NUMBER	SIZE
MEX-JAGC	2/17/21	MSH	NONE	SHT 1 OF 1	A

XGLOBAL\_ASIZE

# Mouser Electronics

Authorized Distributor

Click to View Pricing, Inventory, Delivery & Lifecycle Information:

[Panduit:](#)

[XG-TCR7W](#) [XG-TCR7B](#) [XG-TCR8B](#) [XG-TCR8W](#) [XG-TCR6B](#) [XG-TCR6W](#)