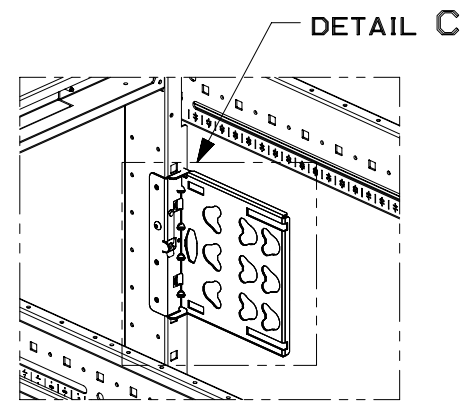
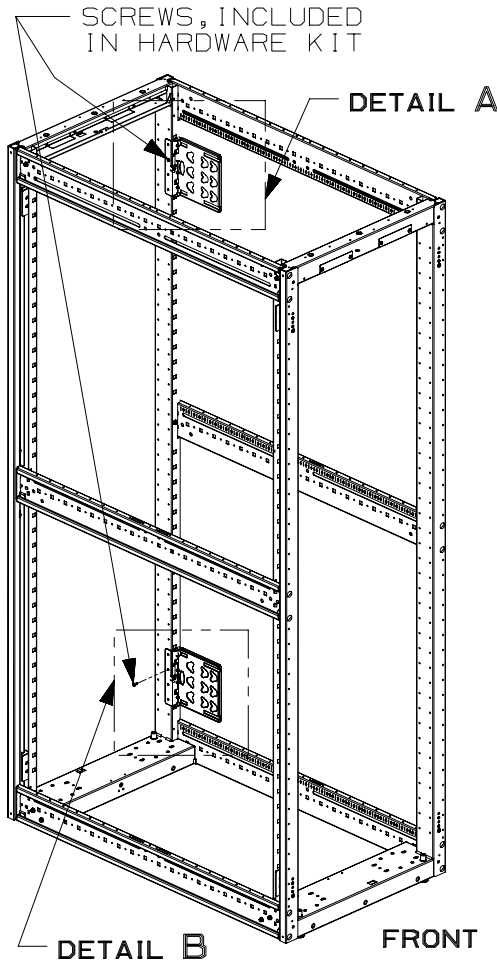
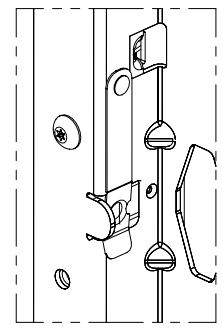


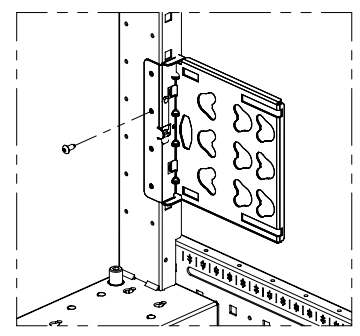
THIS COPY IS PROVIDED ON A RESTRICTED BASIS AND IS NOT TO BE USED IN ANY WAY DETRIMENTAL TO THE INTERESTS OF PANDUIT CORP.



DETAIL A  
INSTALLED



SNAP BUTTON  
DETAIL

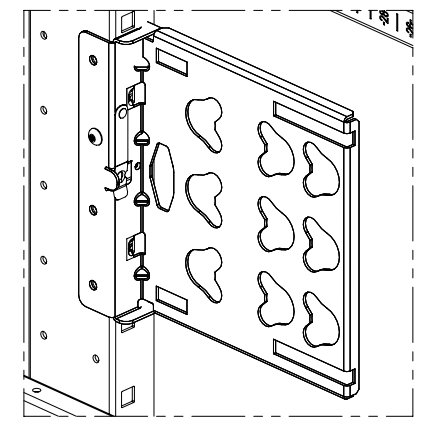


DETAIL B

SHOWN IN DETAIL B:

- BUTTON HEAD SCREW (INCLUDED IN HARDWARE KIT)
- PDU MOUNTING BRACKET

PDU MOUNTING BRACKET CAN BE ADJUSTED VERTICALLY ALONG CABINET PER RACK SPACE



DETAIL C

NOTES:

1. VISIT OUR ON-LINE CATALOG AT WWW.PANDUIT.COM FOR A LIST OF CURRENT PARTS APPLICABLE FOR USE WITH THIS PRODUCT.
2. PRIMARY DIMENSIONS ARE IN MILLIMETERS (mm).
3. PARTS SUPPLIED:  
 (2) - PDU BRACKETS  
 (1) - HARDWARE KIT  
 (1) - INSTRUCTION SHEET (NOT SHOWN)

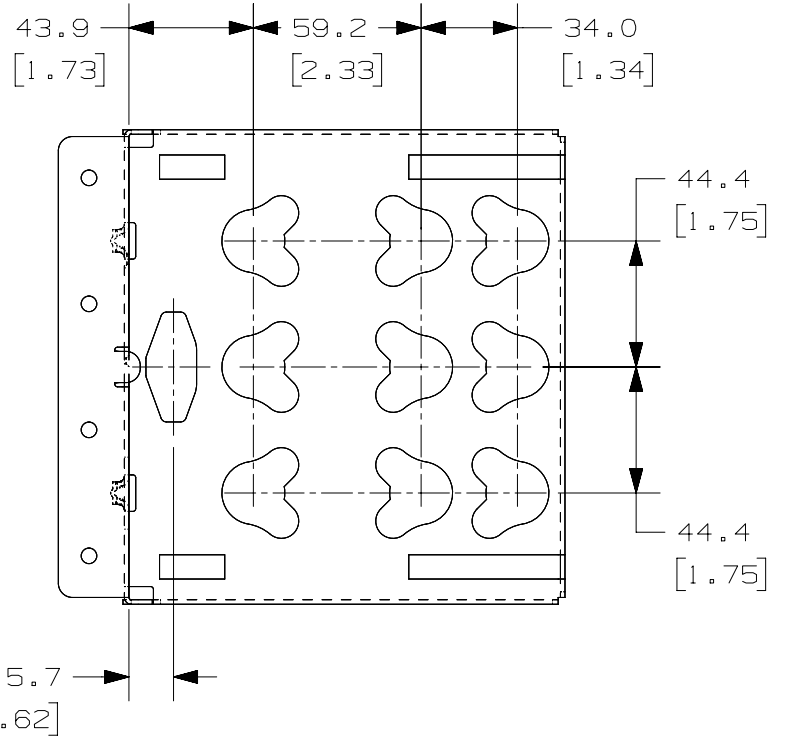
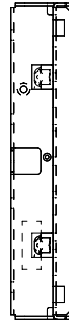
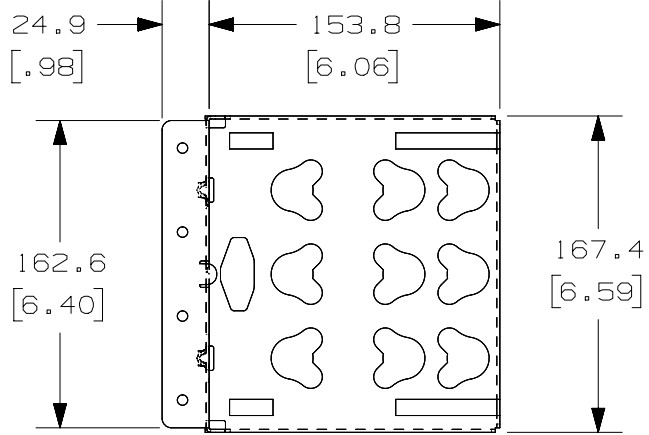
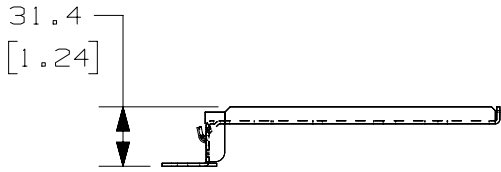
PANDUIT P/N	WEIGHT
XG-PBRB	1.14 Kg 2.50 LBS
XG-PBRW	1.14 Kg 2.50 LBS

D1.0100DA/20

REV	DATE	BY	CHK	APR	DESCRIPTION	ECN
06A	6/2/21	MEX-JAGC	FWI	ELE	VIEWS UPDATED, PDU GEOMETRY CHANGE	V09002ET/07
05A	3/30/21	MEX-JAGC	FWI	ELE	NOTES UPDATED, SCREWS MOVED TO HARDWARE KIT	V09002ET/06
04A	2/19/21	LEE	FWI	ELE	DRAWING RELEASE	V09002ET/05

TITLE		<b>FLEXFUSION PDU BRACKET-EASY INSTALL (XG-PBRB &amp; XG-PBRW)</b>		
		CUSTOMER DRAWING		
ITEM REVISION NAME		00463NDM/06		
DATASET FILE NAME		00463NDM_DC/06A		
		<b>PANDUIT</b>		
		MATERIAL:  N/A		
		DRAWING NUMBER: 00463NDM-DC		
DRAWN BY	DATE	CHK	SCALE	
LEE	2/19/21	FWI	NONE	
		THIRD ANGLE PROJECTION		
		SHT 1 OF 2		
		A		

THIS COPY IS PROVIDED ON A RESTRICTED BASIS AND IS NOT TO BE USED IN ANY WAY DETRIMENTAL TO THE INTERESTS OF PANDUIT CORP.



TITLE						FLEXFUSION PDU BRACKET-EASY INSTALL (XG-PBRB & XG-PBRW)						
ITEM REVISION NAME						CUSTOMER DRAWING						
DATASET FILE NAME						00463NDM/06		<b>PANDUIT</b>				
00463NDM_DC/06A						MATERIAL:						
06A 6/2/21 MEX-JAGC FWI ELE SEE SHEET 1 FOR REVISIONS V09002ET/07						N/A		DRAWING NUMBER: 00463NDM-DC				
05A 3/30/21 MEX-JAGC FWI ELE SEE SHEET 1 FOR REVISIONS V09002ET/06												
04A 2/19/21 LEE FWI ELE DRAWING RELEASE V09002ET/05												
REV	DATE	BY	CHK	APR	DESCRIPTION	ECN	DRAWN BY LEE	DATE 2/19/21	CHK FWI	SCALE NONE	SHT 2 OF 2	SIZE A

D1.0100DA/20

2

1

2

1

# Mouser Electronics

Authorized Distributor

Click to View Pricing, Inventory, Delivery & Lifecycle Information:

[Panduit:](#)

[XG-PBRB](#) [XG-PBRW](#)