

SmartKeeper USB Type C Blockout Device

specifications

Panduit SmartKeeper USB Type C Blockout Device shall be compatible with USB-C ports. The device shall lock in place by sliding in the port and pushing the locking mechanism, blocking the port to prevent access to sensitive data and to reduce the potential spread of malware through USB enabled devices. The device shall be utilized in host or peripheral devices with USB Type C connections. The USB Type C Blockout Device shall only unlock with the use of the SmartKeeper Master Key.



SmartKeeper USB Type C Blockout Device

Red: SKUSBC

SmartKeeper Master Key

SKMKEY

technical information

RoHS compliant:	Yes
Temperature range:	-4°F (-20°C) to + 140°F (+60°C)
Material:	Polycarbonate and Brass Steel/Nickel Plated
Packaging:	One unit per package

key features and benefits

Tamper Resistant	Device will protect connections from unauthorized access, protecting sensitive data and reducing the risk of spreading malware
Ease of use	Installs with a single push
Compatibility	Compliant with USB Type C ports
Master Key	Unique locking mechanism can only be accessed with a special master key

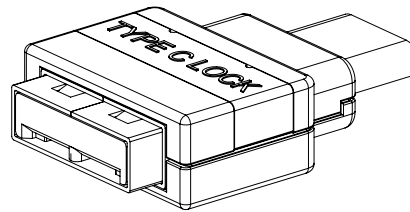
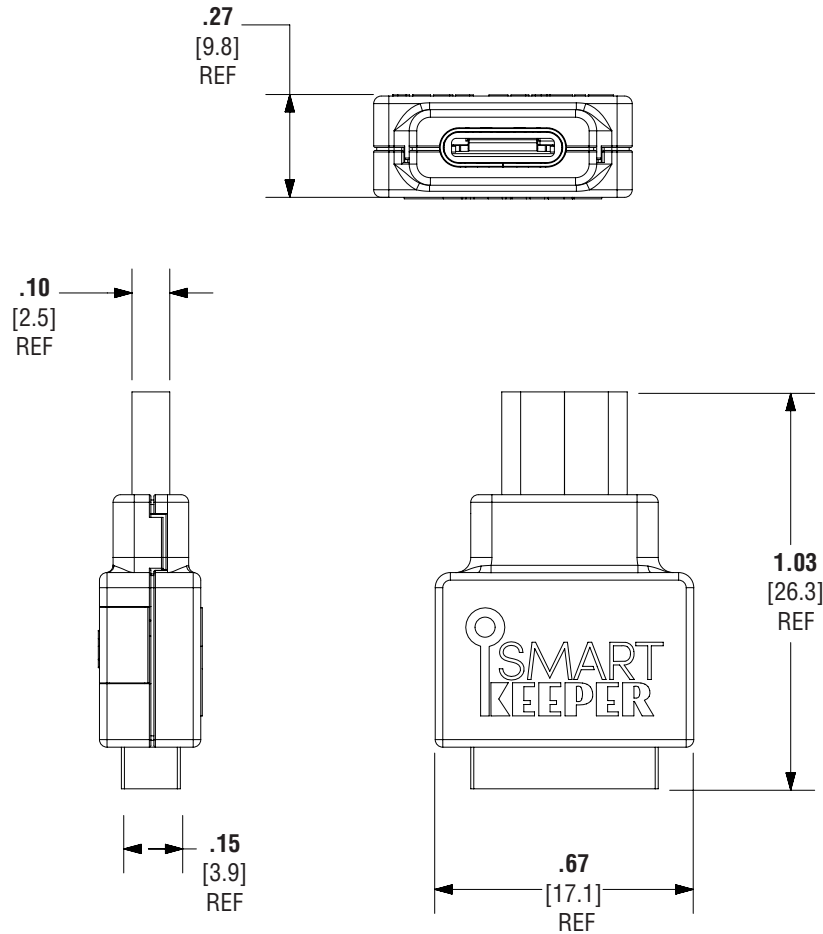
applications

USB Type C port or USB-C is expected to eventually replace the larger USB Type A ports and other connections such as DisplayPort or 3.5mm audio jack. It will become the convenient way to charge and operate multiple devices. It will also become an easy way to spread malware, to gain access or steal sensitive data.

Panduit SmartKeeper USB Type C Blockout Device will lock and block USB-C ports and can only be removed with Panduit's SmartKeeper Master Key. This tamper resistant device provides an economical way to add a physical layer to USB-C ports found in a variety of equipment or devices, saving time and money associated with data security breaches, network downtime, infrastructure repair and hardware replacement.

SmartKeeper USB Type C Blockout Device

dimensions



Dimensions are in inches. [Dimensions in brackets are metric].

WORLDWIDE SUBSIDIARIES AND SALES OFFICES

PANDUIT US/CANADA
Phone: 800.777.3300

PANDUIT EUROPE LTD.
London, UK
Phone: 44.20.8601.7200

PANDUIT SINGAPORE PTE. LTD.
Republic of Singapore
Phone: 65.6305.7575

PANDUIT JAPAN
Tokyo, Japan
Phone: 81.3.6863.6000

PANDUIT LATIN AMERICA
Guadalajara, Mexico
Phone: 52.33.3777.6000

PANDUIT AUSTRALIA PTY. LTD.
Victoria, Australia
Phone: 61.3.9794.9020

For a copy of Panduit product warranties, log on to www.panduit.com/warranty

For more information

Visit us at www.panduit.com

Contact Customer Service by email: cs@panduit.com
or by phone: 800.777.3300

PANDUIT[®]

© 2019 Panduit Corp.
ALL RIGHTS RESERVED.
Printed in the U.S.A.
SFSP10--WW-ENG
6/2019

Mouser Electronics

Authorized Distributor

Click to View Pricing, Inventory, Delivery & Lifecycle Information:

[Panduit:](#)

[SKUSBC](#)