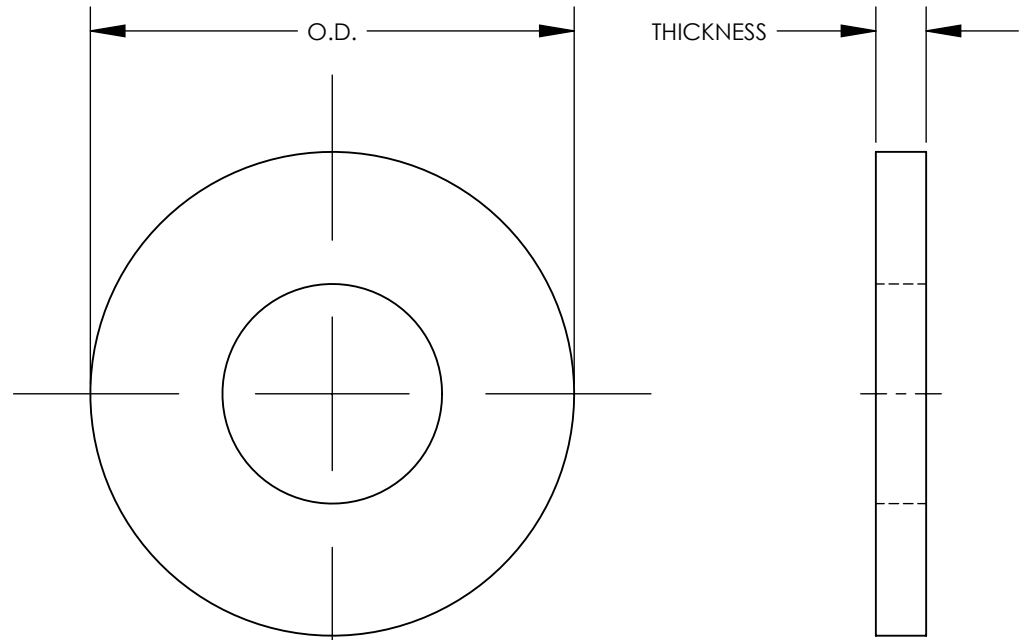


THIS COPY IS PROVIDED ON A RESTRICTED BASIS AND IS NOT TO BE USED IN ANY WAY DETRIMENTAL TO THE INTERESTS OF PANDUIT CORP.

PART NUMBER	NOMINAL SIZE	THICKNESS	O.D.
SBFW25-C	1/4	.065 [1.65]	.63 [15.9]
SBFW31-C	5/16		.69 [17.5]
SBFW38-C	3/8		.81 [20.6]
SBFW44-C	7/16		.92 [23.4]
SBFW50-C	1/2	.095 [2.41]	1.06 [27.0]
SBFW62-C	5/8		1.31 [33.3]

NOTES:

1. MATERIAL: SILICON BRONZE
2. DIMENSIONS IN BRACKETS ARE MILLIMETERS
3. PKG QTY.:
C = 100



REV	DATE	BY	CHK	APR	DESCRIPTION	ECN
00	2/16	JHNU	JHNU	RGB	DRAWING RELEASED	15J350BC-DC

TITLE		SILICON BRONZE FLAT WASHER (SBFW SERIES) CUSTOMER DRAWING	
ITEM REVISION NAME	15J350BC/00		
DATASET FILE NAME	15J350BC-DC/00.SLDDRW		
UNLESS OTHERWISE SPECIFIED, DIMENSIONAL TOLERANCES ARE: IN [mm]		MATERIAL	
.X ±	.XXX ±	SEE NOTES	
.XX ± .02 [0.5]	ANGLES ±	DRAWING NUMBER	
THIRD ANGLE PROJECTION		15J350BC-DC	
DRAWN BY	DATE	CHK	SCALE
JHNU	2/16	RGB	N/A
SHEET 1 OF 1			SIZE A

Mouser Electronics

Authorized Distributor

Click to View Pricing, Inventory, Delivery & Lifecycle Information:

[Panduit:](#)

[SBFW31-C](#) [SBFW38-C](#) [SBFW62-C](#) [SBFW25-C](#)