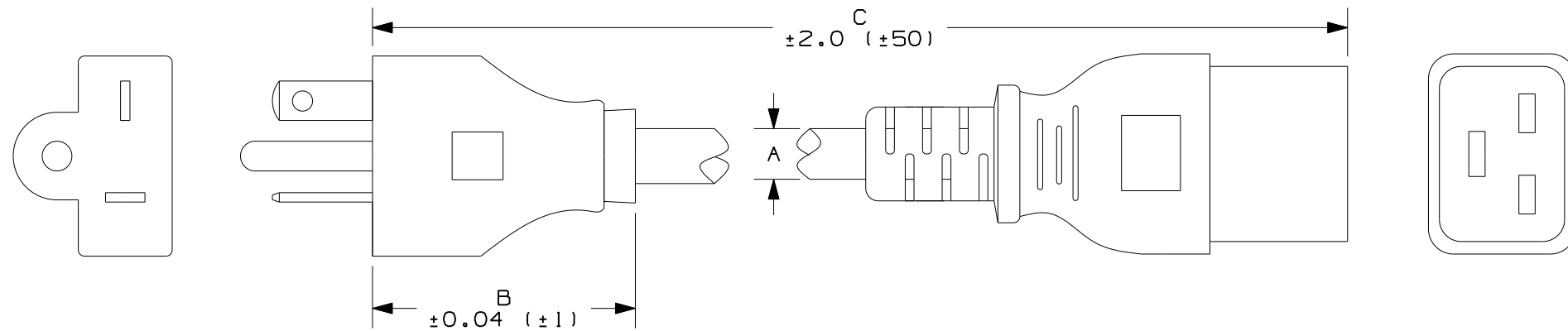


THIS COPY IS PROVIDED ON A RESTRICTED BASIS AND IS NOT TO BE USED IN ANY WAY DETRIMENTAL TO THE INTERESTS OF PANDUIT CORP.

PART #	COLOR	A (REF) IN (mm)	B (REF) IN (mm)	C IN (mm)	APPROXIMATE WEIGHT LBS. (g)
P620C19BL1.5	BLACK	0.44 (11.3)	1.65 (42)	18 (460)	0.52 (238)
P620C19BL3				37 (950)	0.89 (404)
P620C19BL6				72 (1830)	1.57 (714)



NOTES:

- SEE www.panduit.com FOR PART NUMBER SUFFIX DESIGNATION FOR PACKAGE SIZE.
- RATING: 20A/250V AC.
- CORD ASSEMBLY HAS THESE APPROVALS: UL, CSA OR cUL.
- PRODUCT IS RoHS COMPLIANT.

REV	DATE	BY	CHK	DESCRIPTION	ECN	R	CUST	SUP	QC
OOB	7-19-12	DBLA	DJW	PART NUMBERS ON TABLE CHANGED TO FINISHED GOODS	GAECN00091	OO	KLN		
OOA	5-22-12	RVU	DJW	INITIAL DRAWING RELEASE	GAECN00047	OO	KLN		

CAD FILENAME/LAYERS		11K026BE_DC/00B	
<h1>PANDUIT</h1> CORP TINLEY PARK, ILLINOIS			
CUSTOMER DRAWING NEMA 6-20P TO IEC60320-C19 POWER CORD			
UNLESS OTHERWISE SPECIFIED, DIMENSIONAL TOLERANCES ARE: (.X) ± .1 (.XXX) ± .005 (.XX) ± .01 ANGLES ± 5°		UNLESS OTHERWISE SPECIFIED, ALL DIMENSIONS ARE GIVEN IN INCHES, THIRD ANGLE PROJECTION	
DRAWN BY RVU	MAT'L: SEE NOTES	SCALE 1 : 1	DRAWING NO. 11K026BE-DC
DATE 5/22/12	CHK'D KLN	DWG B	SIZE

Mouser Electronics

Authorized Distributor

Click to View Pricing, Inventory, Delivery & Lifecycle Information:

[Panduit:](#)

[P620C19BL1.5](#)