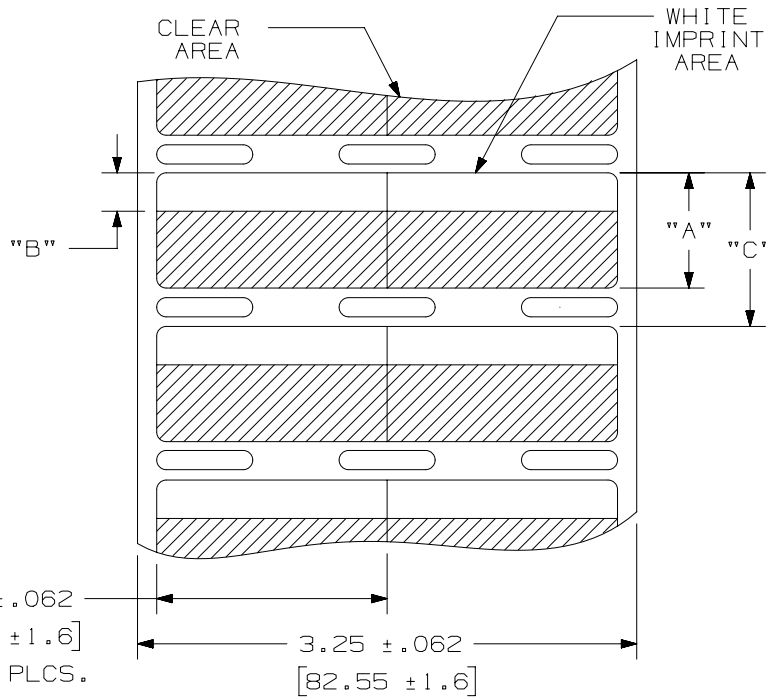


THIS COPY IS PROVIDED ON A RESTRICTED BASIS AND IS NOT TO BE USED IN ANY WAY DETRIMENTAL TO THE INTERESTS OF PANDUIT CORP.

PART NUMBER	MATERIAL	"A" HEIGHT +/- .062	IMPRINT AREA "B" +/- .062	VERTICAL REPEAT "C" +/- .062	LABELS PER ROW	STANDARD PKG. QTY.
S150X150VATY	GMV16 OR GMV17	1.50 [ 38.1 ]	0.50 [ 12.7 ]	1.75 [ 44.45 ]	2	5000
S150X225VATY		2.25 [ 57.2 ]	0.75 [ 19.1 ]	2.50 [ 63.5 ]		2500
S150X400VATY		4.00 [ 101.6 ]	1.00 [ 25.4 ]	4.25 [ 108.0 ]		



NOTE:  
1. MILLIMETER ARE IN [ ].

REV	DATE	BY	CHK	APR	DESCRIPTION	ECN
9	8/11/16	RVU	SEWH	JHAC	4.25 [108.0] WAS 4.25 [114.3].	GAECN03563
8	9/25/13	RVU	SEWH	MSAD	2500 WAS 5000 FOR S150X400VATY ONLY.	GAECN01219
7	####	RVU	SEWH	MSAD	REMOVE PN, S150X225TAT.	GAECN01163
6	10/25/11	RVU		MSAD	"GMV16 OR GMV17" WAS "GMV".	6548

TITLE <b>S150X***VATY                  OPTIMUM SELF-LAMINATING                  THERMAL TRANSFER PRINTABLE LABELS</b> CUSTOMER DRAWING					
ITEM REVISION NAME 100701MV/11					
DATASET FILE NAME 100701MV_DC_C10438/11K					
UNLESS OTHERWISE SPECIFIED, DIMENSIONAL TOLERANCES ARE: IN [ mm ] .x ± .12 [ 3.04 ]      .xxx ± .025 [ .635 ] .xx ± .062 [ 1.57 ]      ANGLES ±					
DRAWING NUMBER: C10438				DRAWING NUMBER: C10438	
DRAWN BY RVU	DATE 8/4/06	CHK MSAD	SCALE NTS	SHT 1 OF 1	SIZE A

D101000DA/16

# Mouser Electronics

Authorized Distributor

Click to View Pricing, Inventory, Delivery & Lifecycle Information:

[Panduit:](#)

[S150X225VATY](#)