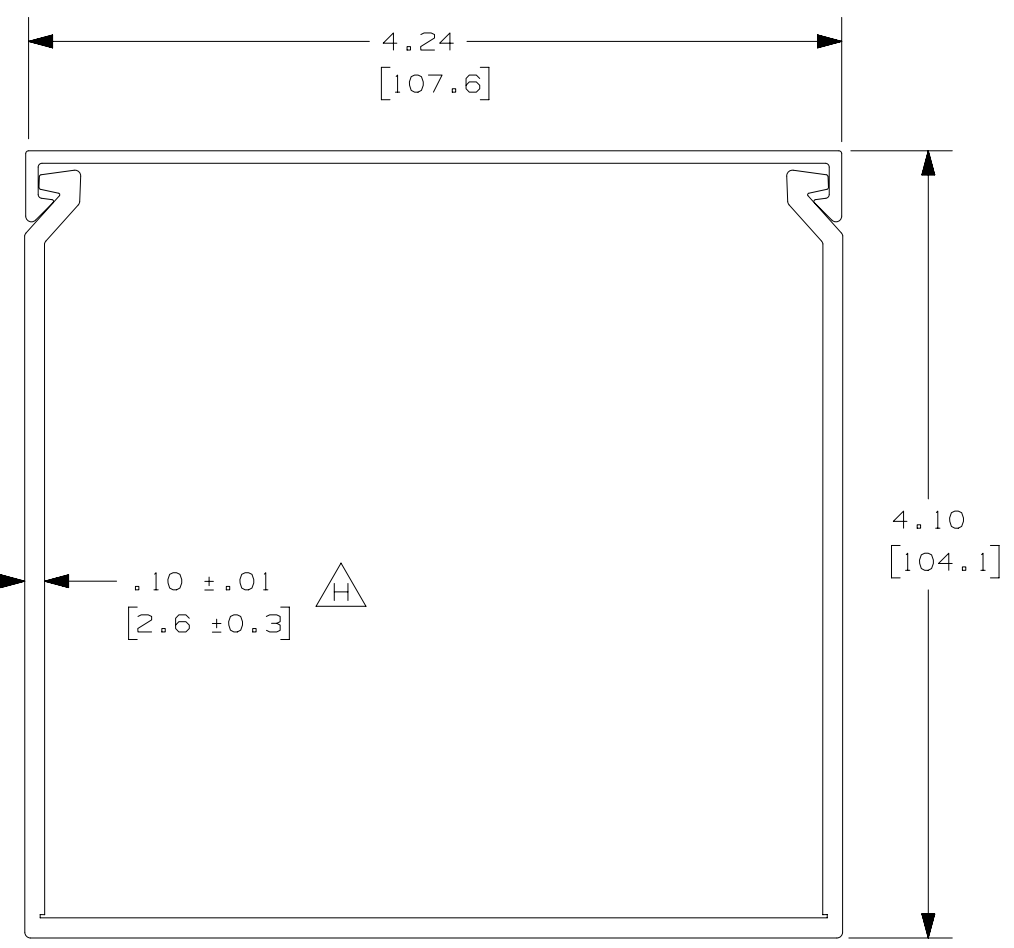


COVER - PART NUMBER  
C4\*\*6

DUCT - PART NUMBER  
FS4X4\*\*6NM



- NOTES:
1. ALL DIMENSIONS ARE REFERENCE ONLY.
  2. DIMENSIONS IN PARENTHESIS ARE METRIC.
  3. THE \*\* DENOTE COLOR.
  4. DUCT AND COVER ARE AVAILABLE IN 6 FT ( 1828.8 ) LENGTHS.

REV	DATE	BY	CHK	APR	DESCRIPTION	ECN
4	02-11-16	JBN	MRJS	RGRO	H. ADDED TOLERANCE G. REVISED PRODUCT P/N FS4x4 **6NM	36897-909
3	03-07-13	JBN	RTFI	RTFI	F. UPDATED DRAWING BORDER & TITLE BLOCK	36897-909

TITLE <b>WIRING DUCT - TYPE FS DUCT WITH COVER 4 X 4</b>						
MARKETING DRAWING						
ITEM REVISION NAME D11000FS/03		<b>PANDUIT</b>				
DATASET FILE NAME D11000FS_DC/03A						
UNLESS OTHERWISE SPECIFIED, DIMENSIONAL TOLERANCES ARE: IN ( mm )						MATERIAL: PVC
DRAWING NUMBER: 36897-909						SIZE C
DRAWN BY JHNU	DATE 10-02-03	CHK JGG	SCALE FULL	THIRD ANGLE PROJECTION		SHT 1 OF 1

# Mouser Electronics

Authorized Distributor

Click to View Pricing, Inventory, Delivery & Lifecycle Information:

[Panduit:](#)

[FS4X4LG6](#) [FS4X4WH6NM](#)