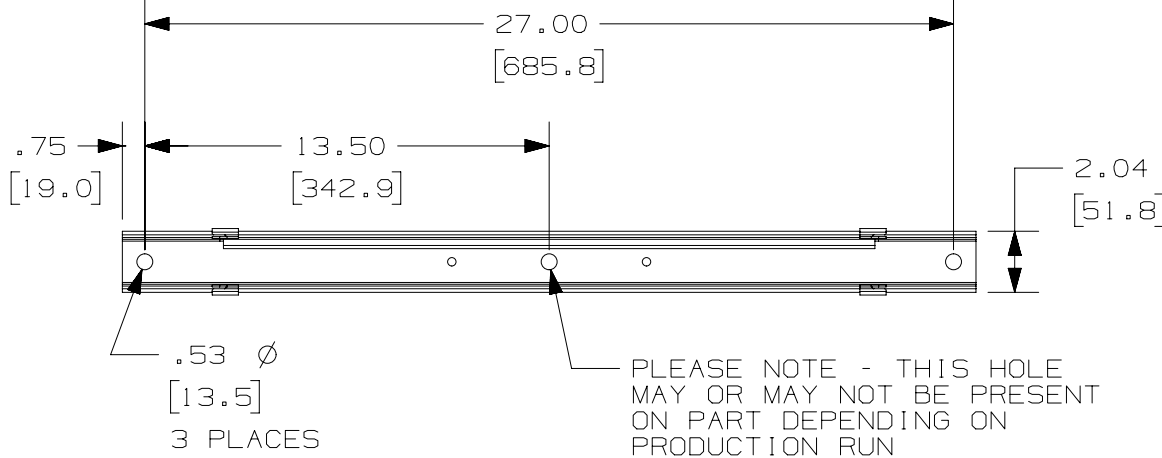


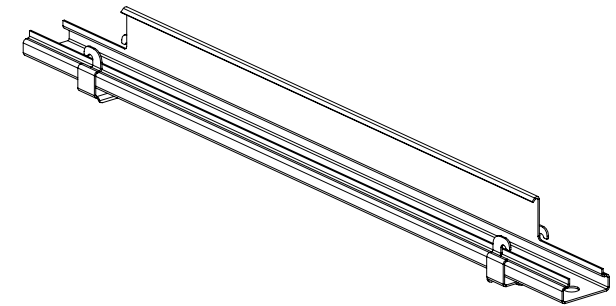
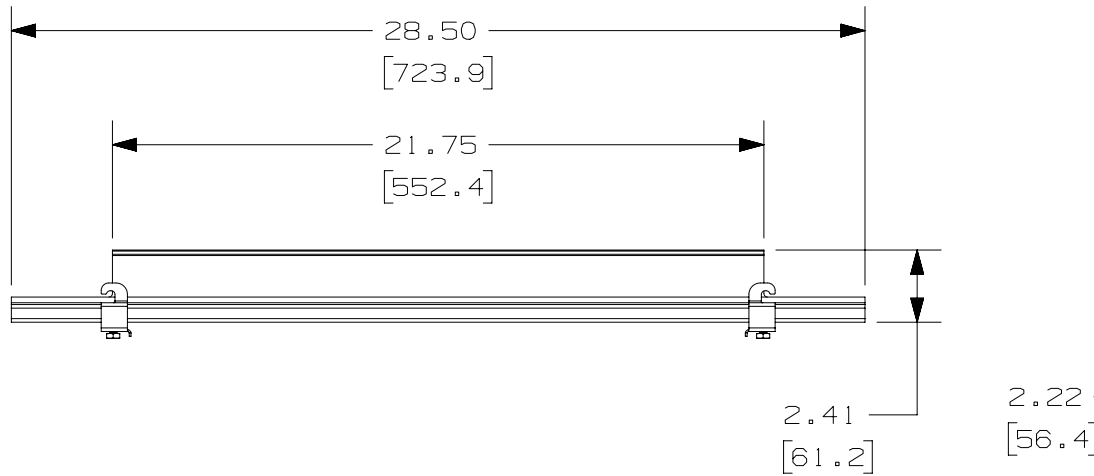
THIS COPY IS PROVIDED ON A RESTRICTED BASIS AND IS NOT TO BE USED IN ANY WAY DETRIMENTAL TO THE INTERESTS OF PANDUIT CORP.



PANDUIT PART NUMBER	WEIGHT
WGTBS24	2.68 LBS (1216 g)

NOTES:

- SEE CURRENT CATALOG FOR PART NUMBER DESIGNATION FOR TYPE AND COLOR.
- EACH PACKAGE CONSISTS OF:
 - (1) WYR-GRID TRAPEZE BRACKET
 - (2) WYR-GRID TRAPEZE BRACKET CLIPS
 - (2) 1/4-20 X 3/8 HEX HEAD CAP SCREWS
- WYR-GRID TRAPEZE BRACKETS SUPPORT WYR-GRID PATHWAY SUSPENDED FROM 1/2" (M12) THREADED RODS.
- DIMENSIONS IN PARENTHESES ARE METRIC



REV	DATE	BY	CHK	APR	DESCRIPTION	ECN
01A	3-10-15	PBS	DWR		ADDED CENTER MOUNTING HOLE AND NOTE	
R	06-18-13	SSP	DWW	RN	RELEASED TO PRODUCTION	12D345AC-DC

TITLE	
WYR-GRID TRAPEZE BRACKET 24" (WGTBS24) CUSTOMER DRAWING	
ITEM REVISION NAME	12D345AC/01
DATASET FILE NAME	12D345AC_DC/01A
UNLESS OTHERWISE SPECIFIED, DIMENSIONAL TOLERANCES ARE: IN (mm)	
.X ±	.XXX ±
.XX ± .05 [1.3]	ANGLES ±
THIRD ANGLE PROJECTION	
MATERIAL:	
STEEL	
DRAWING NUMBER:	
12D345AC-DC	
DRAWN BY	DATE
SSP	06-18-13
CHK	SCALE
DWW	NONE
SHT 1 OF 1	
SIZE	
A	

Mouser Electronics

Authorized Distributor

Click to View Pricing, Inventory, Delivery & Lifecycle Information:

Panduit:

[WGTBS24BL](#) [WGTBS24EZ](#)