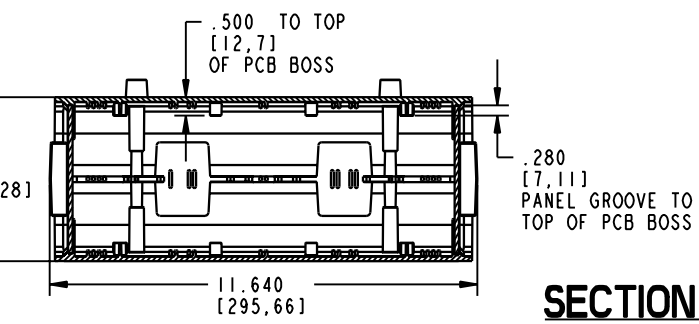
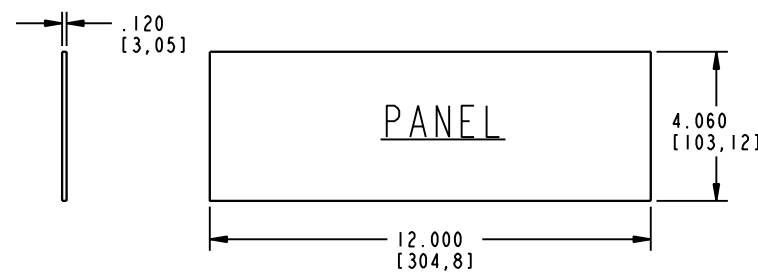
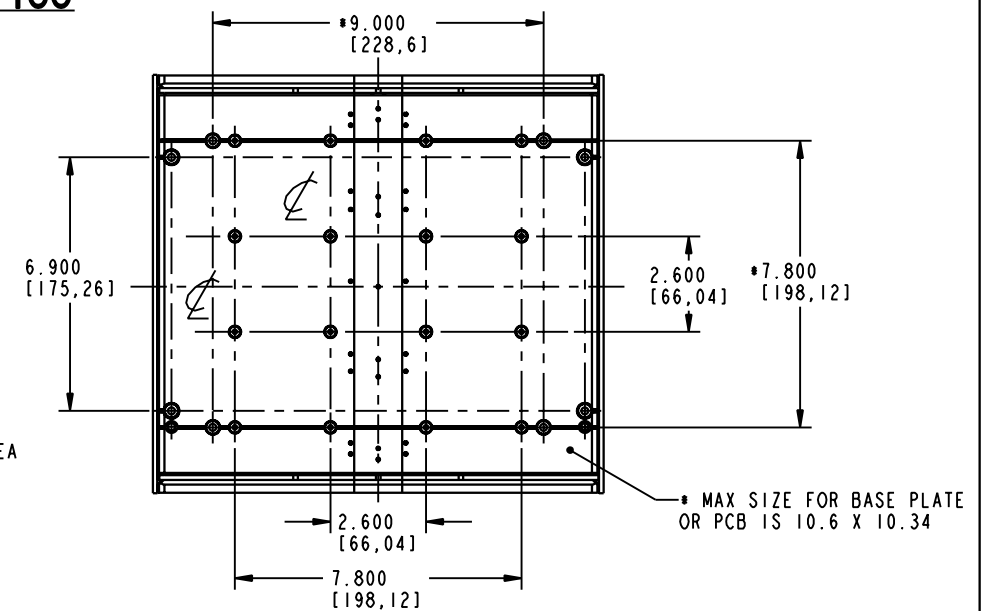
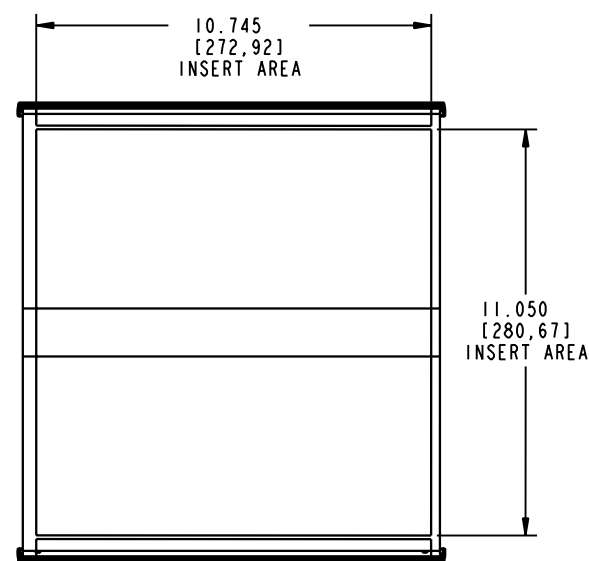


SECTION A-A



PACINTEC[®]
 1-610-361-4200
CL-400, CLB-400
CLH-400

VISIT **PACINTEC**[®]
 ON THE WORLD WIDE WEB
www.pactecenclosures.com

COLOR / MATERIAL CODE		
COLOR	94HB	94VO
BLACK	000	028
P. C. BONE	039	060

DRAWING NUMBER	REV
79516	B

Mouser Electronics

Authorized Distributor

Click to View Pricing, Inventory, Delivery & Lifecycle Information:

[PacTec:](#)

[61845-510-039 CL-45 BONE Kit](#)