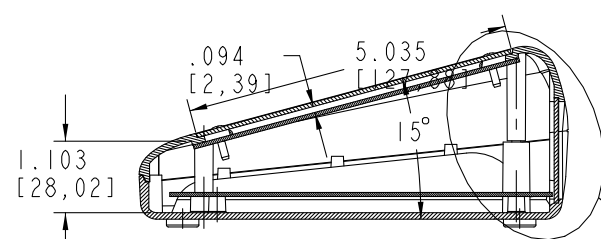
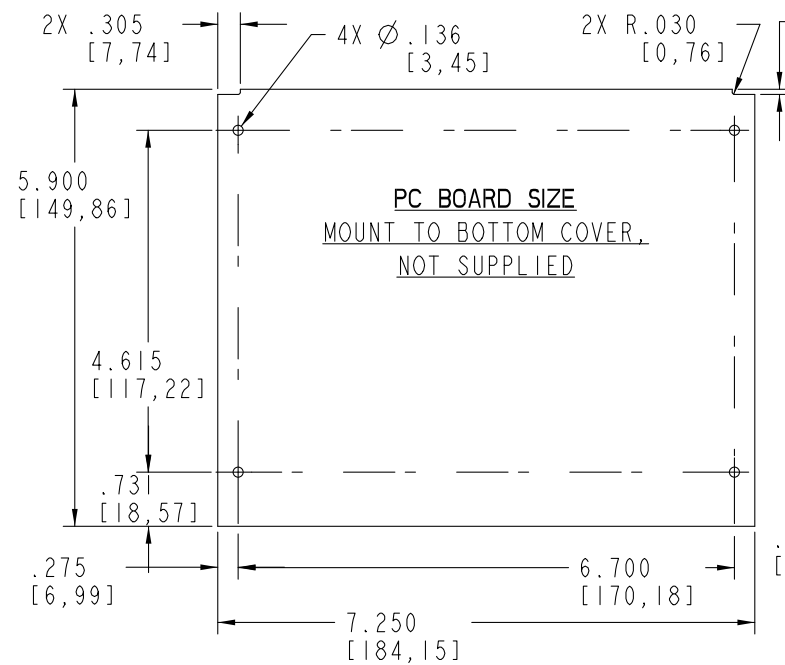


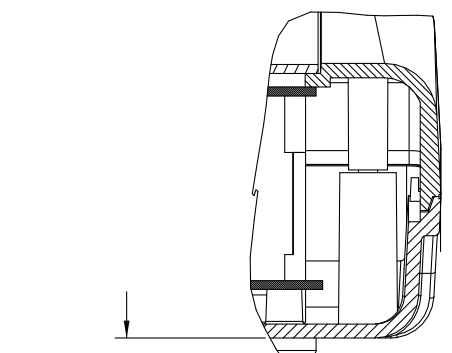
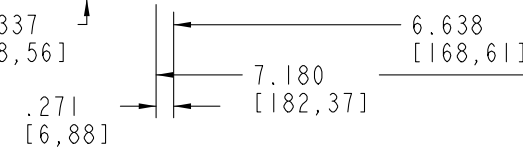
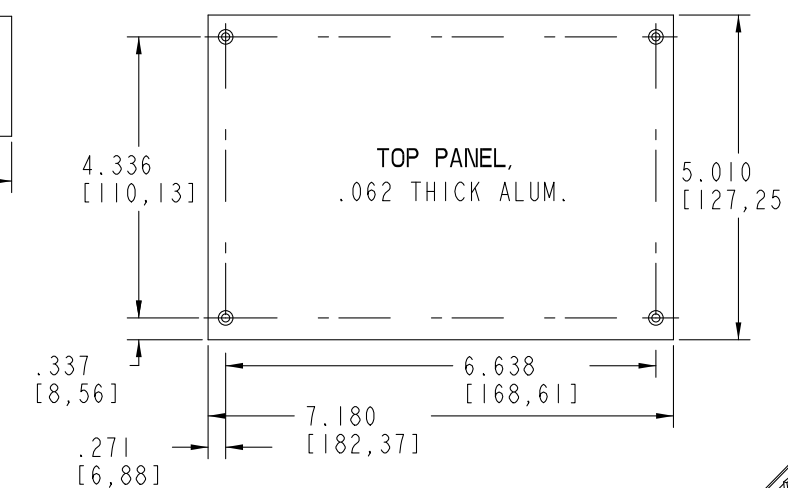
SECTION B-B

SEE DETAIL C

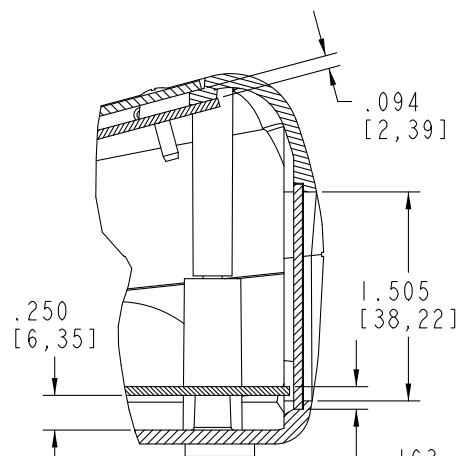


SECTION A-A

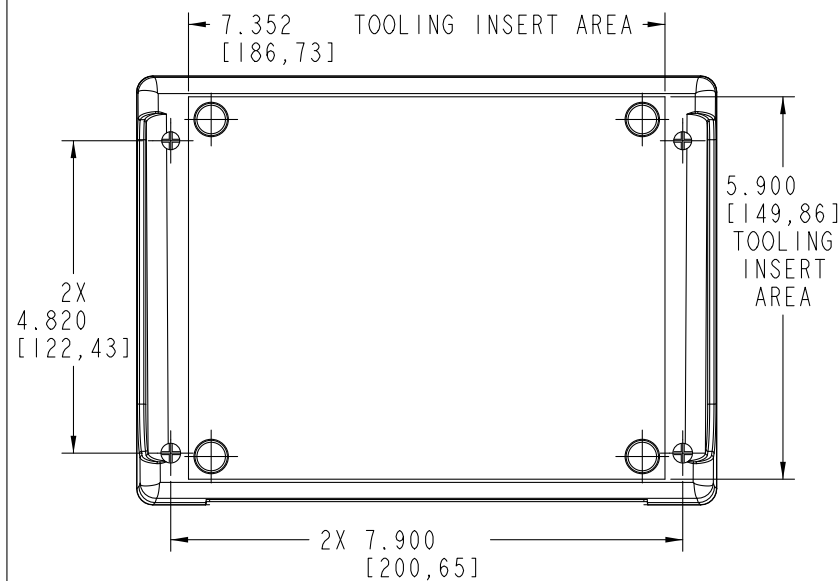
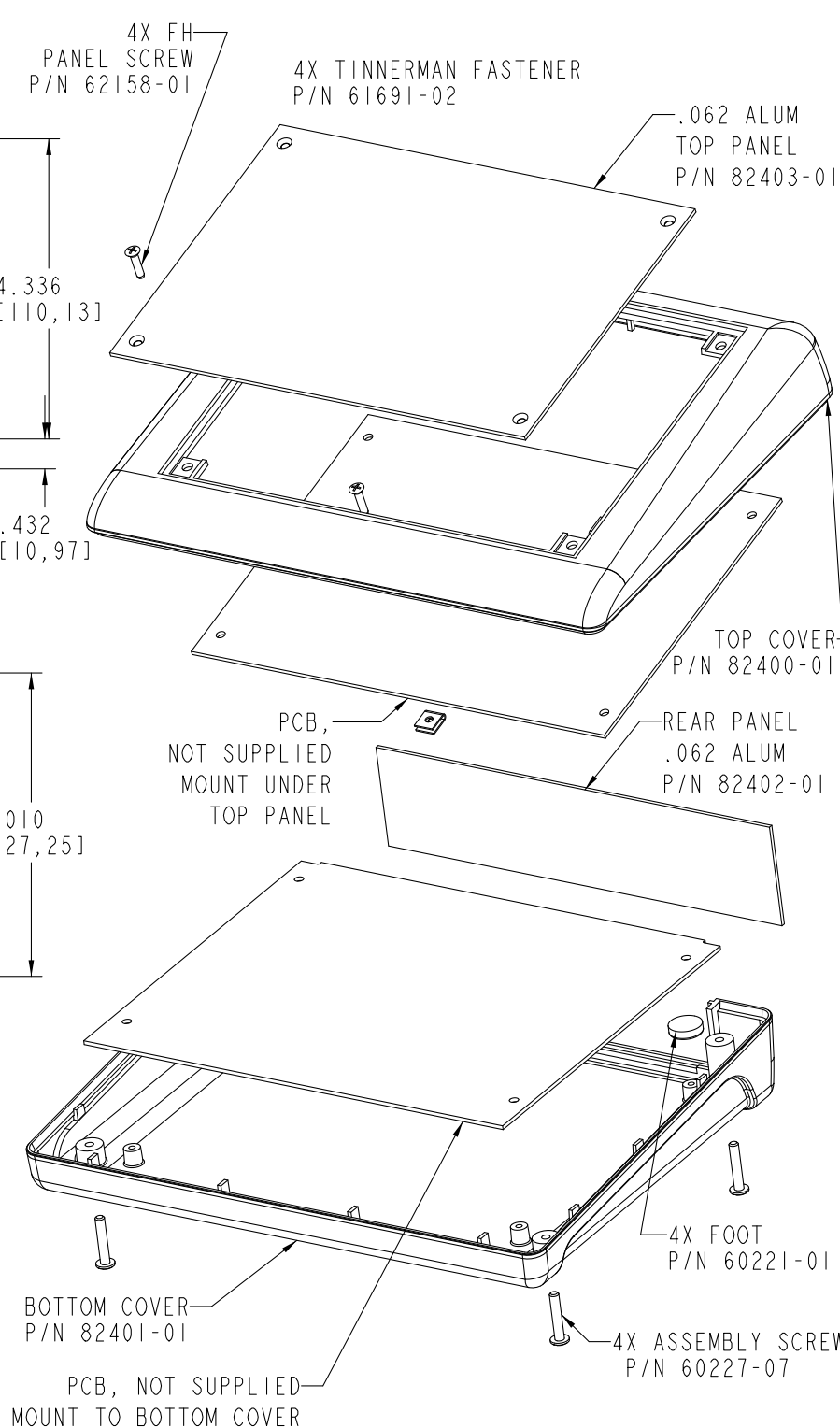
SEE DETAIL D



DETAIL C
SCALE 1.500



DETAIL D
SCALE 1.500



PACITEC[®]
1-610-361-4200

PT-8

VISIT **PACITEC**[®]
ON THE WORLD WIDE WEB
www.pacitecenclosures.com

COLOR / MATERIAL CODE		
COLOR	94HB	94VO
BLACK	000	028
P.C.BONE	039	060

DRAWING NUMBER	REV
82231	D

Mouser Electronics

Authorized Distributor

Click to View Pricing, Inventory, Delivery & Lifecycle Information:

[PacTec:](#)

[82399-510-000 PT-8 Black Kit](#)