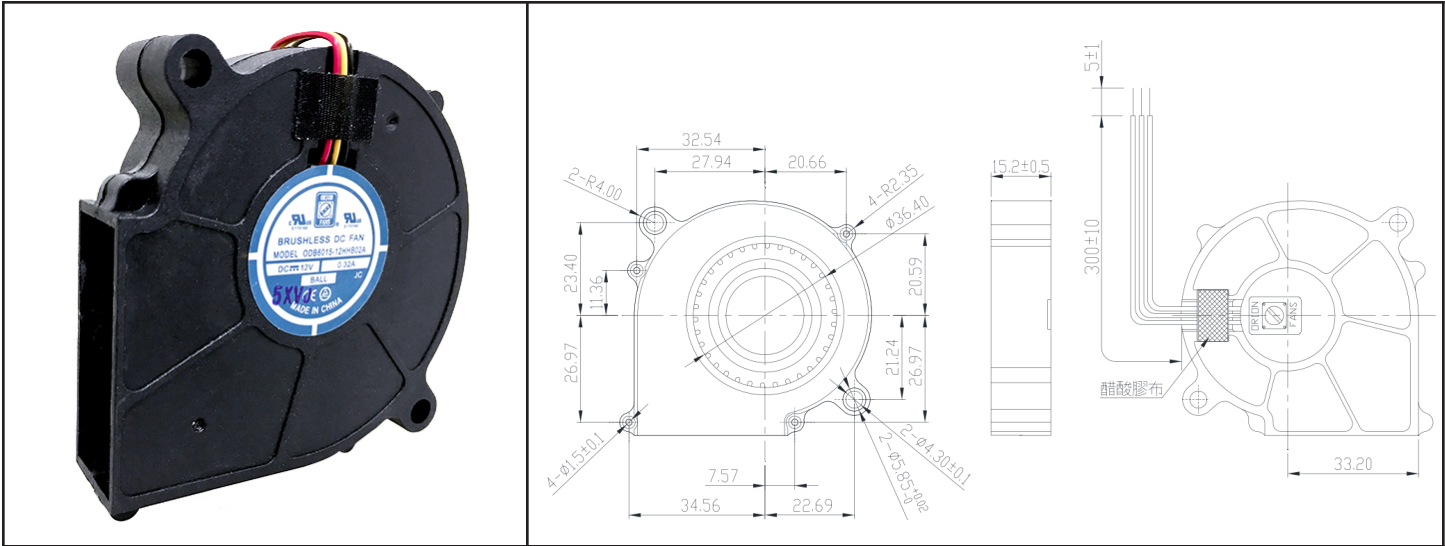


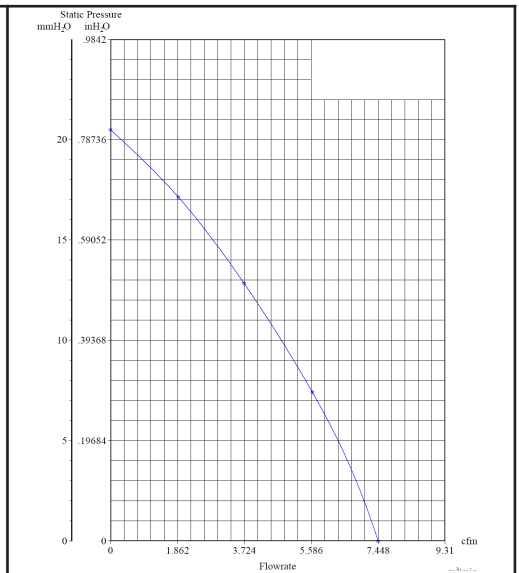
ODB6015-12HHB02A



DC Blower 12V
60x15mm (2.36"x .59")

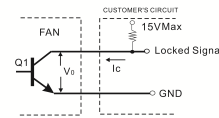


Frame & Impeller	PBT, UL94V-O plastic	Options Available Tachometer
Connecion	3x Lead wires *	
Motor	Brushless DC, auto restart, polarity protected.	Weight: ~ 35 g * Connection UL1571, 28AWG, ~320mm Red (+) Black (-) Yellow Alarm
Bearing System	Dual ball bearing	
Insulation Resistance	Min. 10M at 500VDC	
Dielectric Strength	1 minute at 500 VAC, max leakage < 500 MicroAmp	
Temperature Range	-10C ~ +70C	
Storage Temperature	-40C ~ +80C	
Life (L10)	70,000 hours (40C)	m1

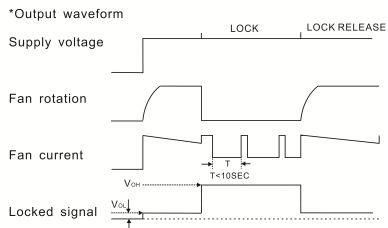


Part Number	ODB6015-12HHB02A
Nominal Voltage	12V DC
Voltage Range	7 ~ 13.2V DC
Nominal Current	.20 A
Rated Power	3.84 W
Rated Speed (RPM)	5000
Airflow (CFM)	7.45
Noise Level (dB)	44
Max. Static Pressure	.80" H ₂ O

Output of locked signal
*Output type.....Open collector type
*Electrical design suggestion:
(External signal function design is decided by customer)



*Transistor Q1 at "ON" position
Collector current.....I_c=5mA Max
Saturation Voltage.....V_{ce(sat)}=1.0V Max
(Between Collector and Emitter at I_c=5mA)
*Transistor Q1 at "OFF" position
Release Voltage.....V_{ce}=15V Max



Mouser Electronics

Authorized Distributor

Click to View Pricing, Inventory, Delivery & Lifecycle Information:

[Orion Fans:](#)

[ODB6015-12HHB02A](#)