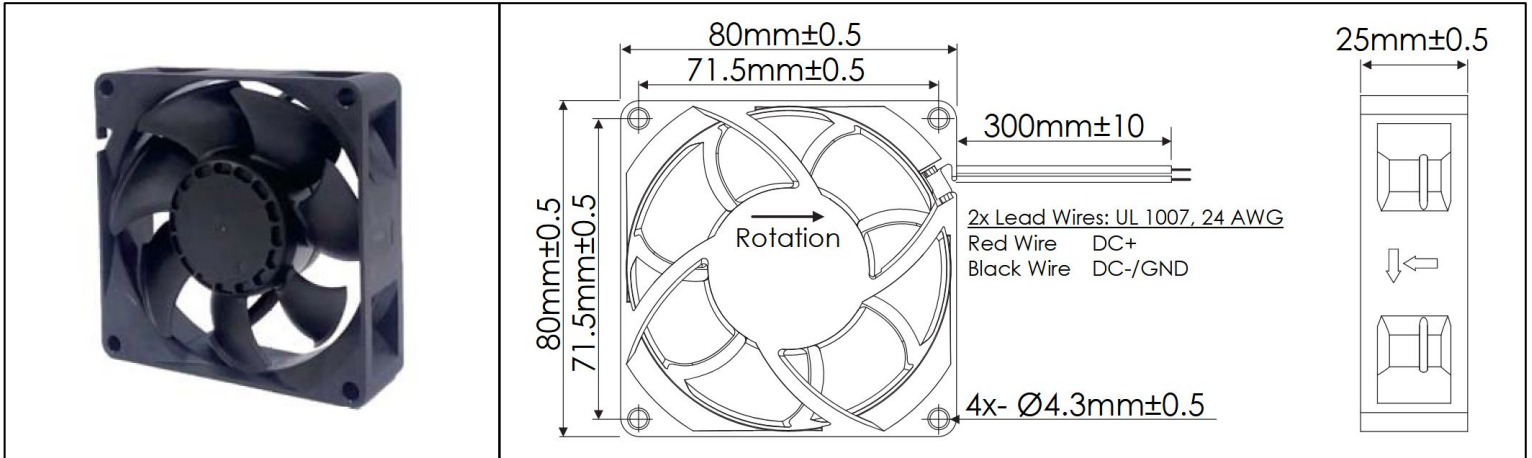


OD8025 XE Series



DC Fans - 12, 24, 48V
80mm x 25mm (3.15" x 1")



Frame	PBT, UL94 V-0 Plastic	Operating Temperature -20°C ~ +65°C Storage Temperature -25°C ~ +75°C Life Expectancy 70,000 Hours (L10 at 40°C) Available Options Tachometer Output Alarm Output PWM Speed Control Input IP Ratings Weight: 0.24 lbs	
Impeller	PBT, UL94 V-0 Plastic		
Connection	2x Lead Wires, 24 AWG		
Motor	Brushless DC, Auto Cutoff, Auto Restart, Polarity Protected, Electronically Protected		
Bearing System	Ball Bearings		
Dielectric Strength	500VDC/min, <1mA		
Insulation Resistance	≥10MΩ @ 500V DC		

Part Number	Rated Voltage (Volts DC)	Voltage Range (Volts DC)	Input Power (Watts)	Rated Current (Amps)	Rated Speed (RPM)	Max Airflow (CFM)	Noise Level (dB)	Max Static Pressure ("H ₂ O)
OD8025-12HHBXE	12	8 ~ 13.8	19.2 ~ 20.5	1.60 ~ 1.8	9450	104.6	65.2	1.60
OD8025-12HBXE	12	8 ~ 13.8	11.5 ~ 13.2	0.96 ~ 1.1	8000	85.8	60.1	1.20
OD8025-12MBXE	12	8 ~ 13.8	8.6 ~ 9.6	0.72 ~ 0.8	6975	76.3	55.7	0.82
OD8025-12LBXE	12	8 ~ 13.8	6.5 ~ 7.2	0.54 ~ 0.6	5990	64.6	50.3	0.63
OD8025-24HHBXE	24	15 ~ 26	20.4 ~ 24.0	0.85 ~ 1.0	9450	104.6	65.2	1.60
OD8025-24HBXE	24	15 ~ 26	12.0 ~ 16.8	0.50 ~ 0.7	8000	85.8	60.1	1.20
OD8025-24MBXE	24	15 ~ 26	9.1 ~ 12.0	0.38 ~ 0.5	6975	76.3	55.7	0.82
OD8025-24LBXE	24	15 ~ 26	7.0 ~ 9.6	0.29 ~ 0.4	5990	64.6	50.3	0.63
OD8025-48HHBXE	48	28 ~ 52	21.6 ~ 28.8	0.45 ~ 0.6	9450	104.6	65.2	1.60
OD8025-48HBXE	48	28 ~ 52	18.2 ~ 24.0	0.38 ~ 0.5	8000	85.8	60.1	1.20
OD8025-48MBXE	48	28 ~ 52	13.0 ~ 19.2	0.27 ~ 0.4	6975	76.3	55.7	0.82
OD8025-48LBXE	48	28 ~ 52	9.6 ~ 14.4	0.20 ~ 0.3	5990	64.6	50.3	0.63

Mouser Electronics

Authorized Distributor

Click to View Pricing, Inventory, Delivery & Lifecycle Information:

Orion Fans:

[OD8025-12HBXE](#) [OD8025-12HHBXE](#) [OD8025-12LBXE](#) [OD8025-12MBXE](#) [OD8025-24HBXE](#) [OD8025-24HHBXE](#)
[OD8025-24LBXE](#) [OD8025-24MBXE](#) [OD8025-48HBXE](#) [OD8025-48HHBXE](#) [OD8025-48LBXE](#) [OD8025-48MBXE](#)