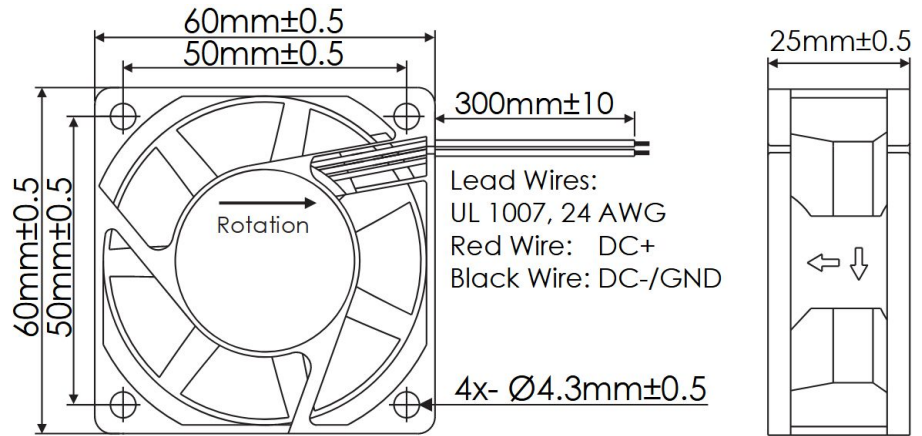


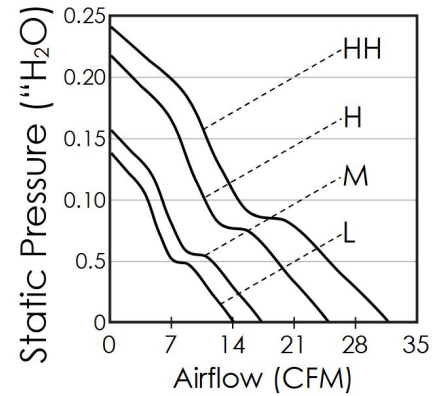
OD6025 IP68 Series



DC Fans - 12, 24, 48V
60mm x 25mm (2.4" x 1.0")



Frame	PBT, UL94 V-0 Plastic	Operating Temperature -20°C ~ +65°C Storage Temperature -25°C ~ +70°C Life Expectancy 60,000 Hours (L10 at 45°C) Available Options PWM Speed Control Input Tachometer Output Alarm Output 5V DC Versions Salt Fog Ratings Weight: 0.14 lbs
Impeller	PBT, UL94 V-0 Plastic	
Connection	2x Lead Wires, 24 AWG	
Motor	Brushless DC, Auto Cutoff, Auto Restart, Polarity Protected, Electronically Protected, IP68	
Bearing System	Ball Bearings	
Dielectric Strength	500VDC/min, < 1mA	
Insulation Resistance	≥10MΩ @ 500 VDC	



Part Number	Rated Voltage (Volts DC)	Voltage Range (Volts DC)	Input Power (Watts)	Rated Current (Amps)	Rated Speed (RPM)	Airflow (CFM)	Noise Level (dBA)	Max. Static Pressure ("H ₂ O)
OD6025-12HHBIP68	12	8 ~ 13.8	1.8	0.21	4390	32	32	0.24"
OD6025-12HBIP68	12	8 ~ 13.8	1.8	0.15	3975	25	30	0.22"
OD6025-12MBIP68	12	8 ~ 13.8	1.5	0.12	3150	17	25	0.16"
OD6025-12LBIP68	12	8 ~ 13.8	1.0	0.08	2480	14	20	0.14"
OD6025-24HHBIP68	24	15 ~ 26	2.8	0.15	4390	32	32	0.24"
OD6025-24HBIP68	24	15 ~ 26	2.8	0.12	3975	25	30	0.22"
OD6025-24MBIP68	24	15 ~ 26	2.2	0.09	3150	17	25	0.16"
OD6025-24LBIP68	24	15 ~ 26	1.5	0.06	2480	14	20	0.14"
OD6025-48HHBIP68	48	28 ~ 52	3.4	0.1	4390	32	32	0.24"
OD6025-48HBIP68	48	28 ~ 52	3.4	0.07	3975	25	30	0.22"

Mouser Electronics

Authorized Distributor

Click to View Pricing, Inventory, Delivery & Lifecycle Information:

Orion Fans:

[OD6025-24MBIP68](#) [OD6025-12HHBIP68](#) [OD6025-12LBIP68](#) [OD6025-24HHBIP68](#) [OD6025-12HBIP68](#) [OD6025-48HHBIP68](#) [OD6025-24HBIP68](#) [OD6025-24LBIP68](#) [OD6025-48HBIP68](#) [OD6025-12MBIP68](#)