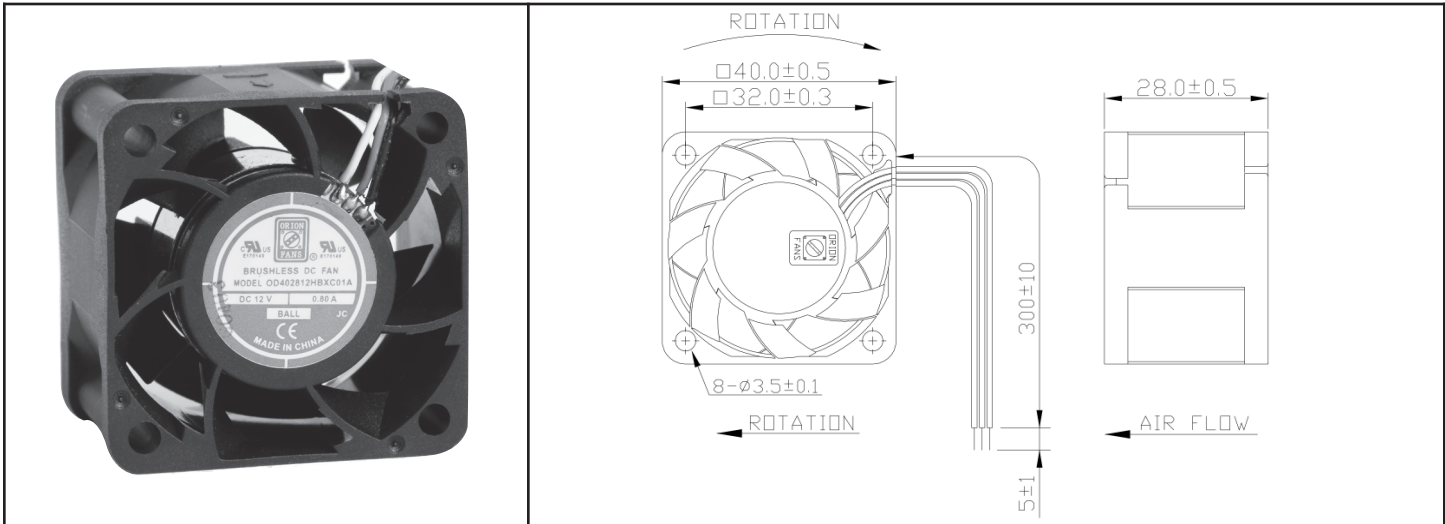


OD4028 - XC Series



DC Fan - 12V, High Speed
40x28mm (1.58" x 1.10")



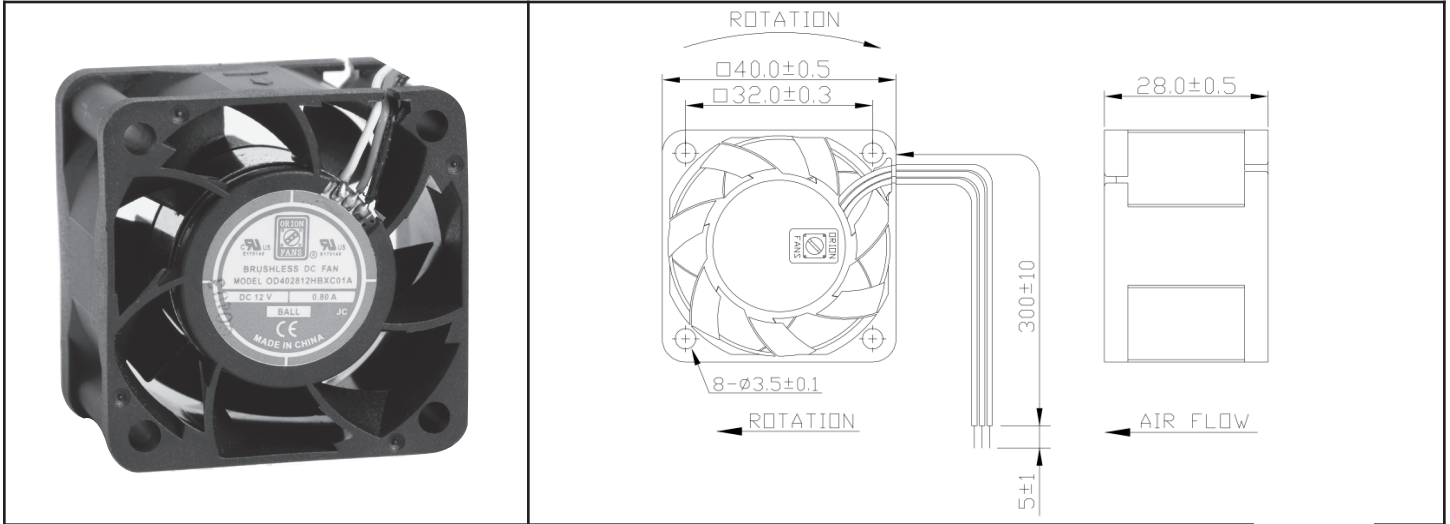
Frame & Impeller	PBT, UL94V-0 plastic	Available Options: Tachometer Alarm PWM Life Expectancy (L10) 50,000 hours (40C) Weight: ~ 0.09 lbs m1	Fan Performance Curve
Connection	2x Lead wires		
Motor	Brushless DC, auto restart, polarity protected.		
Bearing System	Dual ball bearing		
Insulation Resistance	Min. 10M at 500VDC		
Dielectric Strength	1 minute at 500 VAC, max leakage < 500 MicroAmp		
Temperature Range	-10C ~ 70C		
Storage Temperature	-40C ~ +80C		

Part Number	OD4028-12HB-XC
Nominal Voltage	12 VDC
Voltage Range	7 ~ 13.2 VDC
Nominal Current	0.7 A
Start-up Voltage	7.0 VDC
Rated Power	10.2 W
Rated Speed (RPM)	20,000
Airflow (CFM)	22.5
Noise Level (dB)	61
Max. Static Pressure	2.60" H2O

OD4028 - XC Series



DC Fan - 12V, High Speed
40x28mm (1.58" x 1.10")



Frame & Impeller	PBT, UL94V-0 plastic	Available Options: Alarm PWM Life Expectancy (L10) 70,000 hours (40C) Weight: ~ 0.09 lbs Red + Black - White Tachometer m1	Fan Performance Curve
Connection	3x Lead wires		
Motor	Brushless DC, auto restart, polarity protected.		
Bearing System	Dual ball bearing		
Insulation Resistance	Min. 10M at 500VDC		
Dielectric Strength	1 minute at 500 VAC, max leakage < 500 MicroAmp		
Temperature Range	-10C ~ +70C		
Storage Temperature	-40C ~ +80C		

Part Number	OD4028-12HBXC01A	Output of locked signal *Output type.....Open collector type *Electrical design suggestion: (External signal function design is decided by customer)
Nominal Voltage	12 VDC	
Voltage Range	7 ~ 13.2 VDC	
Nominal Current	0.7 A	*Transistor Q1 at "ON" position Collector current..... $I_c=10\text{mA Max}$ Saturation Voltage..... $V_{ce}=1.0\text{V Max}$ (Between Collector and Emitter at $I_c=10\text{mA}$) *Transistor Q1 at "OFF" position Release Voltage..... $V_{ce}=15\text{V Max}$
Start-up Voltage	7.0 VDC	*Output waveform
Rated Power	10.2 W	
Rated Speed (RPM)	20,000	
Airflow (CFM)	22.5	
Noise Level (dB)	61	
Max. Static Pressure	2.60" H ₂ O	

Mouser Electronics

Authorized Distributor

Click to View Pricing, Inventory, Delivery & Lifecycle Information:

[Orion Fans:](#)

[OD4028-12HBXC10A](#)