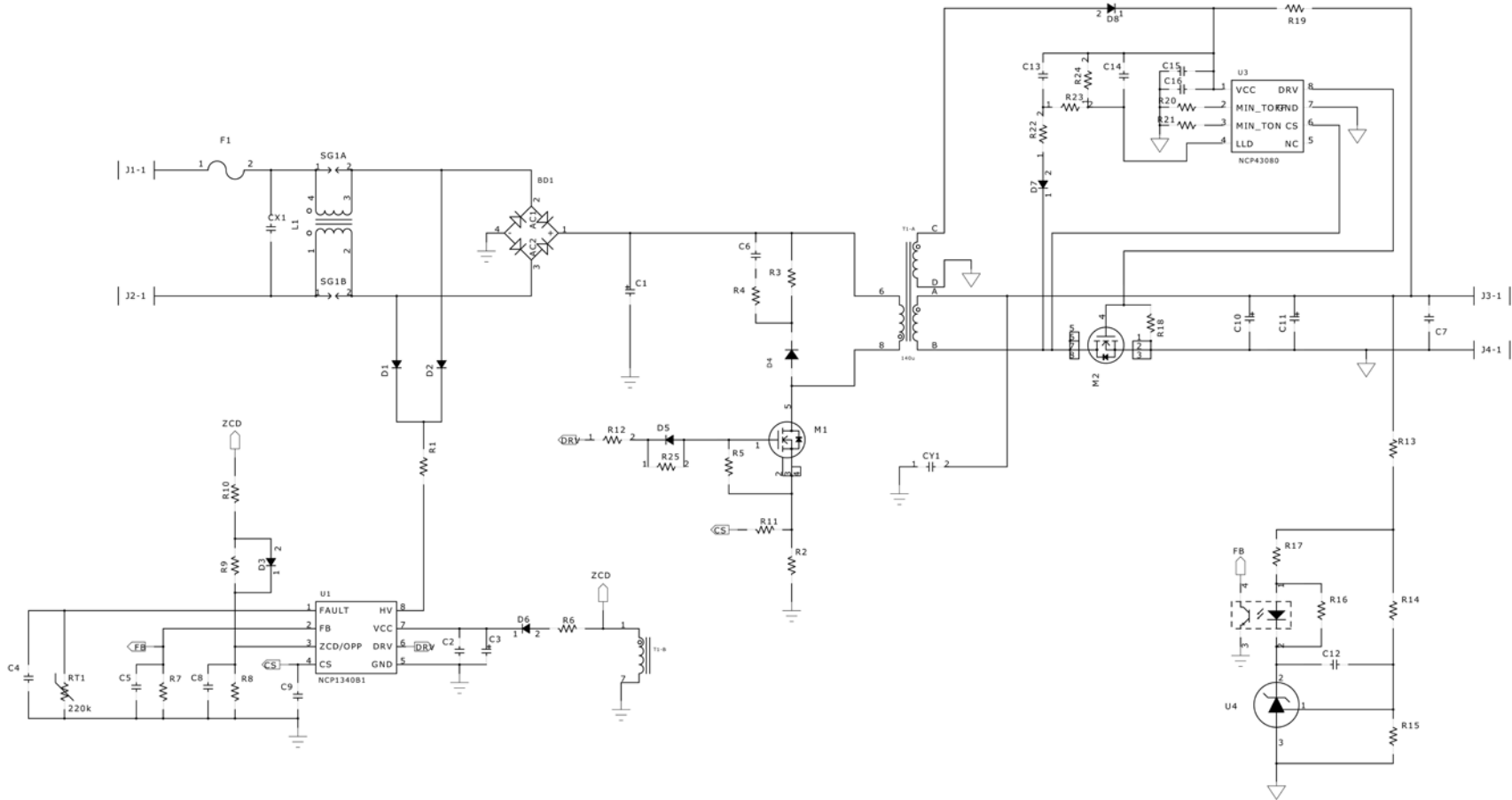


Schematic for the NCP1340UHDGEVB Evaluation Board



Mouser Electronics

Authorized Distributor

Click to View Pricing, Inventory, Delivery & Lifecycle Information:

[ON Semiconductor:](#)

[NCP1340UHDGEVB](#) [NCP1340GEVB](#)