

KA34063A

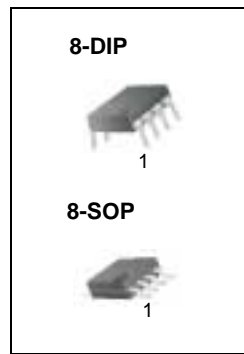
SMPS Controller

Features

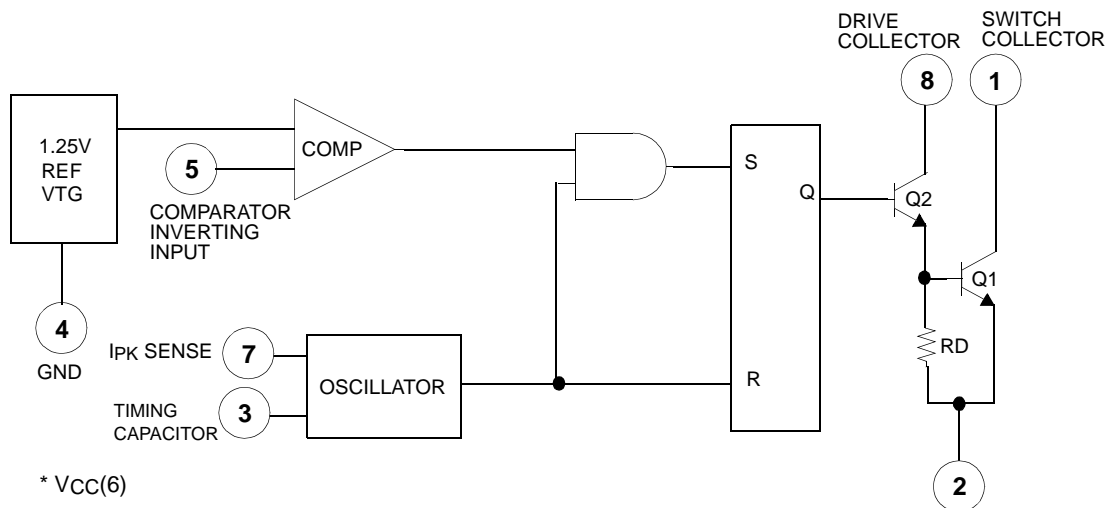
- Operation From 3.0 to 40V Input
- Short Circuit Current Limiting
- Low Stand-by Current
- Output Switch Current of 1.5A Without External Transistors
- Output Voltage Adjustable
- Frequency of Operation From 100Hz to 100kHz
- Step-up, Step-Down or Inverting Switching Regulators

Description

The KA34063A is a monolithic regulator sub system intended for use as DC to DC converter. This device contains a temperature compensated bandgap reference, a duty cycle control oscillator, a driver, and a high current output switch. It can be used for step down, step up or inverting switching regulators as well as for series pass regulators.



Internal Block Diagram



Absolute Maximum Ratings

Parameter	Symbol	Value	Unit
Supply Voltage	VCC	40	V
Comparator Input Voltage Range	VI(COMP)	-0.3 ~ +40	V
Switch Collector Voltage	VC(SW)	40	V
Switch Emitter Voltage	VE(SW)	40	V
Switch Collector To Emitter Voltage	VCE(SW)	40	V
Driver Collector Voltage	VC(DR)	40	V
Switch Current	ISW	1.5	A
Storage Temperature Range	TSTG	-65 ~ +150	°C

Electrical Characteristics

(VCC = 5.0V, TA = 0°C to +70°C, unless otherwise specified)

Parameter	Symbol	Conditions	Min.	Typ.	Max.	Unit
OSCILLATOR						
Charging Current	ICHG	VCC = 5 to 40V, TA = 25°C	22	31	42	μA
Discharging Current	IDISCHG	VCC = 5 to 40V, TA = 25°C	140	190	260	μA
Oscillator Amplitude	V(OSC)	TA = 25°C		0.5	-	V
Discharge to Charge Current Ratio	K	V7 = VCC, TA = 25°C	5.2	6.1	7.5	-
Current Limit Sense Voltage	VSENSE(C.L)	ICHG = IDISCHG TA = 25°C	250	300	350	mV
OUTPUT SWITCH						
Saturation Voltage 1 (Note1)	VCE(SAT)1	ISW = 1.0A VC(driver) = VC(SW)	-	0.95	1.3	V
Saturation Voltage 2 (Note1,2)	VCE(SAT)2	ISW = 1.0A, VC(driver) = 50mA	-	0.45	0.7	V
DC Current Gain (Note1,2)	GI(DC)	ISW = 1.0A, VCE = 5.0V, TA = 25°C	50	180	-	-
Collector off State Current (Note1)	IC(OFF)	VCE = 40V, TA = 25°C	-	0.01	100	μA
COMPARATOR						
Threshold Voltage	VTH	-	1.21	1.24	1.29	V
Threshold Voltage Line Regulation	ΔVTH	VCC = 3 to 40V	-	2.0	5.0	mV
Input Bias Current	IBIAS	VI = 0V	-	50	400	nA
TOTAL DEVICE						
Supply Current	ICC	VCC = 5 to 40V, CT = 0.001μF V7 = VCC, V5 > VTH pin2 = GND	-	2.7	4.0	mA

Note :

- Output switch tests are performed under pulsed conditions to minimize power dissipation.
- These parameters, although guaranteed, are not 100% tested in production.

Typical Performance Characteristics

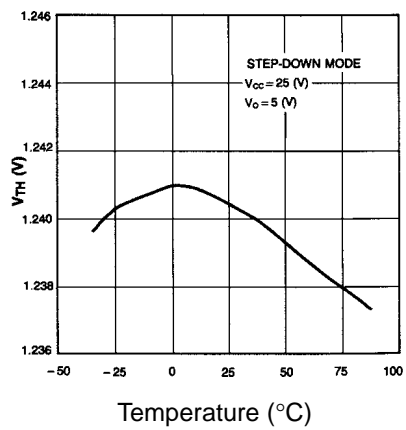


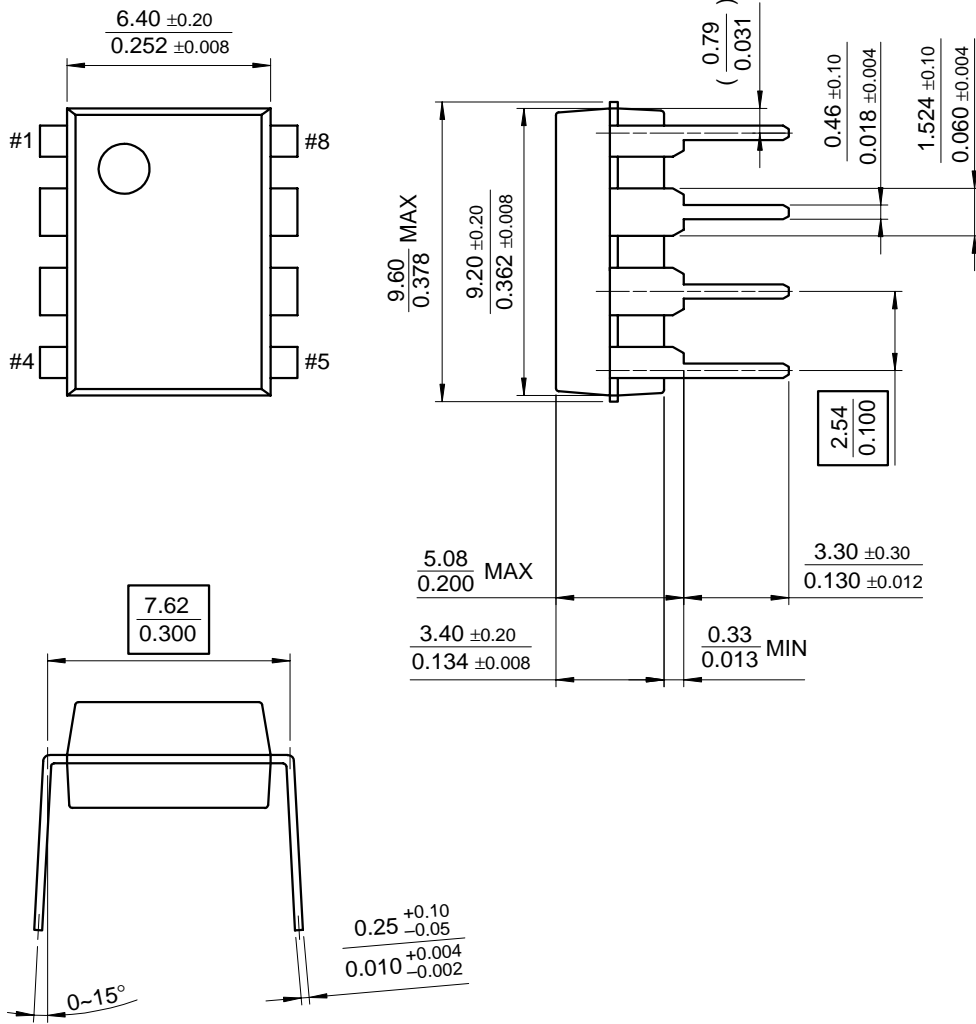
Figure 1. Temperature Drift (V_{TH})

Mechanical Dimensions

Package

Dimensions in millimeters

8-DIP

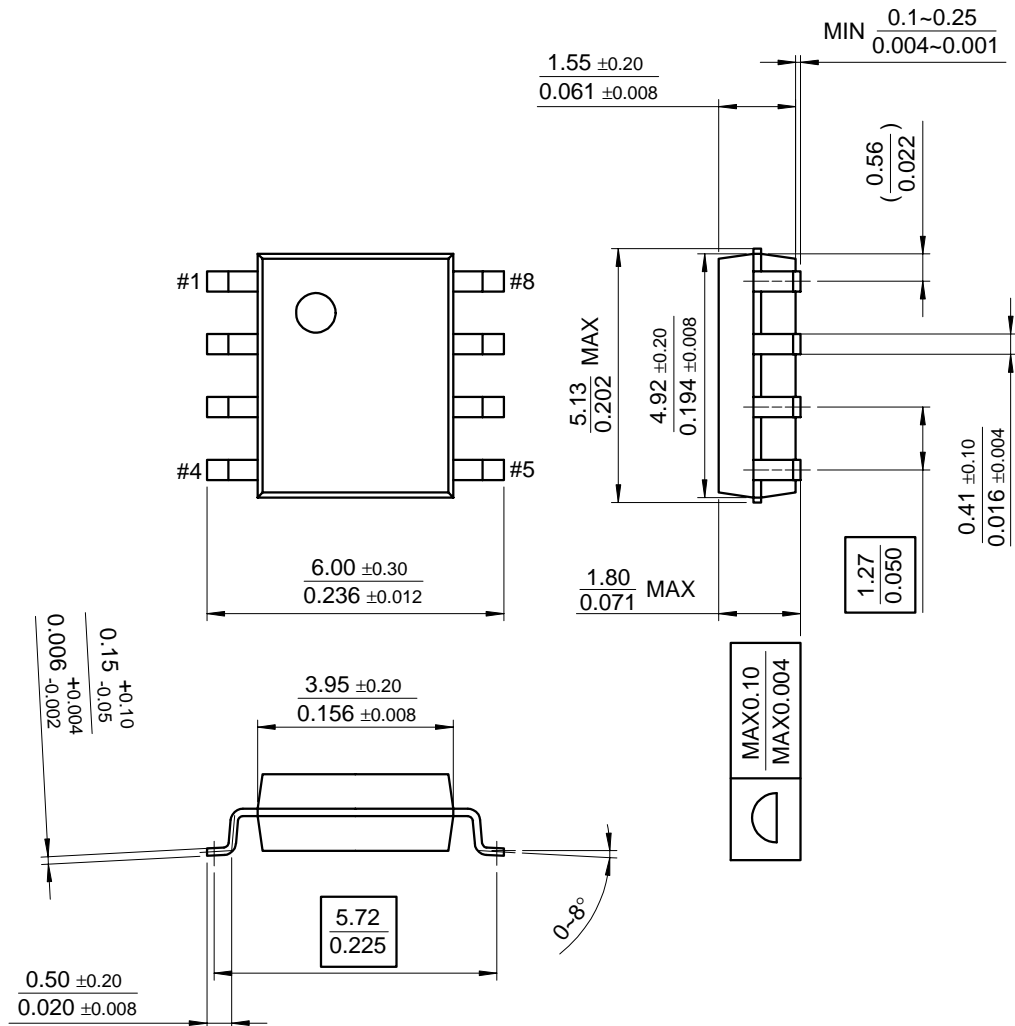


Mechanical Dimensions (Continued)

Package

Dimensions in millimeters

8-SOP



Ordering Information

Product Number	Package	Operating Temperature
KA34063A	8-DIP	0 ~ +70°C
KA34063AD	8-SOP	

DISCLAIMER

FAIRCHILD SEMICONDUCTOR RESERVES THE RIGHT TO MAKE CHANGES WITHOUT FURTHER NOTICE TO ANY PRODUCTS HEREIN TO IMPROVE RELIABILITY, FUNCTION OR DESIGN. FAIRCHILD DOES NOT ASSUME ANY LIABILITY ARISING OUT OF THE APPLICATION OR USE OF ANY PRODUCT OR CIRCUIT DESCRIBED HEREIN; NEITHER DOES IT CONVEY ANY LICENSE UNDER ITS PATENT RIGHTS, NOR THE RIGHTS OF OTHERS.

LIFE SUPPORT POLICY

FAIRCHILD'S PRODUCTS ARE NOT AUTHORIZED FOR USE AS CRITICAL COMPONENTS IN LIFE SUPPORT DEVICES OR SYSTEMS WITHOUT THE EXPRESS WRITTEN APPROVAL OF THE PRESIDENT OF FAIRCHILD SEMICONDUCTOR CORPORATION. As used herein:

1. Life support devices or systems are devices or systems which, (a) are intended for surgical implant into the body, or (b) support or sustain life, and (c) whose failure to perform when properly used in accordance with instructions for use provided in the labeling, can be reasonably expected to result in a significant injury of the user.
2. A critical component in any component of a life support device or system whose failure to perform can be reasonably expected to cause the failure of the life support device or system, or to affect its safety or effectiveness.

Mouser Electronics

Authorized Distributor

Click to View Pricing, Inventory, Delivery & Lifecycle Information:

[onsemi:](#)

[KA34063A_Q](#)