



Is Now Part of



**ON Semiconductor®**

To learn more about ON Semiconductor, please visit our website at  
[www.onsemi.com](http://www.onsemi.com)

Please note: As part of the Fairchild Semiconductor integration, some of the Fairchild orderable part numbers will need to change in order to meet ON Semiconductor's system requirements. Since the ON Semiconductor product management systems do not have the ability to manage part nomenclature that utilizes an underscore (\_), the underscore (\_) in the Fairchild part numbers will be changed to a dash (-). This document may contain device numbers with an underscore (\_). Please check the ON Semiconductor website to verify the updated device numbers. The most current and up-to-date ordering information can be found at [www.onsemi.com](http://www.onsemi.com). Please email any questions regarding the system integration to [Fairchild\\_questions@onsemi.com](mailto:Fairchild_questions@onsemi.com).

ON Semiconductor and the ON Semiconductor logo are trademarks of Semiconductor Components Industries, LLC dba ON Semiconductor or its subsidiaries in the United States and/or other countries. ON Semiconductor owns the rights to a number of patents, trademarks, copyrights, trade secrets, and other intellectual property. A listing of ON Semiconductor's product/patent coverage may be accessed at [www.onsemi.com/site/pdf/Patent-Marking.pdf](http://www.onsemi.com/site/pdf/Patent-Marking.pdf). ON Semiconductor reserves the right to make changes without further notice to any products herein. ON Semiconductor makes no warranty, representation or guarantee regarding the suitability of its products for any particular purpose, nor does ON Semiconductor assume any liability arising out of the application or use of any product or circuit, and specifically disclaims any and all liability, including without limitation special, consequential or incidental damages. Buyer is responsible for its products and applications using ON Semiconductor products, including compliance with all laws, regulations and safety requirements or standards, regardless of any support or applications information provided by ON Semiconductor. "Typical" parameters which may be provided in ON Semiconductor data sheets and/or specifications can and do vary in different applications and actual performance may vary over time. All operating parameters, including "Typicals" must be validated for each customer application by customer's technical experts. ON Semiconductor does not convey any license under its patent rights nor the rights of others. ON Semiconductor products are not designed, intended, or authorized for use as a critical component in life support systems or any FDA Class 3 medical devices or medical devices with a same or similar classification in a foreign jurisdiction or any devices intended for implantation in the human body. Should Buyer purchase or use ON Semiconductor products for any such unintended or unauthorized application, Buyer shall indemnify and hold ON Semiconductor and its officers, employees, subsidiaries, affiliates, and distributors harmless against all claims, costs, damages, and expenses, and reasonable attorney fees arising out of, directly or indirectly, any claim of personal injury or death associated with such unintended or unauthorized use, even if such claim alleges that ON Semiconductor was negligent regarding the design or manufacture of the part. ON Semiconductor is an Equal Opportunity/Affirmative Action Employer. This literature is subject to all applicable copyright laws and is not for resale in any manner.



# FAN602L Offline Quasi-Resonant PWM Controller

## Features

- High Efficiency Across Wide Input and Output Conditions in a Small Form Factor
- Quasi-Resonant Switching Operation with Programmable Maximum Blanking Frequency Range (60 kHz~ 140 kHz)
- User Configurable Burst Mode Entry and Exit to Maximize Light Load Efficiency and Minimize Audible Noise
- Adaptive Burst Mode Entry Level for Adaptive Charger Application
- mWSaver® Technology for Ultra Low Standby Power Consumption (<20 mW)
- Forced and Inherent Frequency Modulation of Valley Switching for Low EMI Emissions and Common Mode Noise
- Built-In and User Configurable Over-Voltage Protection (OVP), Under-Voltage Protection (UVP) and Over-Temperature Protection (OTP)
- Fully Programmable Brown-In and Brownout Protection
- Precise Constant Output Current Regulation with Programmable Line Compensation
- Built-In High-Voltage Startup to Reduce External Components
- 10 Lead SOIC JEDEC

## Description

The FAN602L is an advanced PWM controller aimed at achieving power density of  $\geq 10W/in^3$  in universal input range AC/DC flyback isolated power supplies. It incorporates Quasi-Resonant (QR) control with proprietary Valley Switching with a limited frequency variation. QR switching provides high efficiency by reducing switching losses while Valley Switching with a limited frequency variation bounds the frequency band to overcome the inherent limitation of QR switching.

FAN602L features mWSaver® burst mode operation with extremely low operating current (300  $\mu A$ ) and significantly reduces standby power consumption to meet the most stringent efficiency regulations such as Energy Star's 5-Star Level and CoC Tier II specifications.

FAN602L includes several user configurable features aimed at optimizing efficiency, EMI and protections. FAN602L has a programmable blanking frequency range that provides flexibility in choosing noise rejection in targeted frequency zones. It incorporates user-configurable minimum peak current, which allows controlling the burst mode entry/exit power level, thereby enhancing light load efficiency and eliminating audible noise. It also includes several rich programmable protection features such as over-voltage protection (OVP), precise constant output current regulation (CC).

## Applications

- Battery Charges for Smart Phones, Feature Phones, and Tablet PCs
- AC-DC Adapters for Portable Devices or Battery Chargers that Require CV/CC Control

## Ordering Information

Part Number	Operating Temperature Range	Package	Packing Method
FAN602LMX	-40°C to +125°C	10-Lead, Small Outline Package (SOIC), JEDEC MS-012, .150-Inch Narrow Body	Tape & Reel

### Typical Application

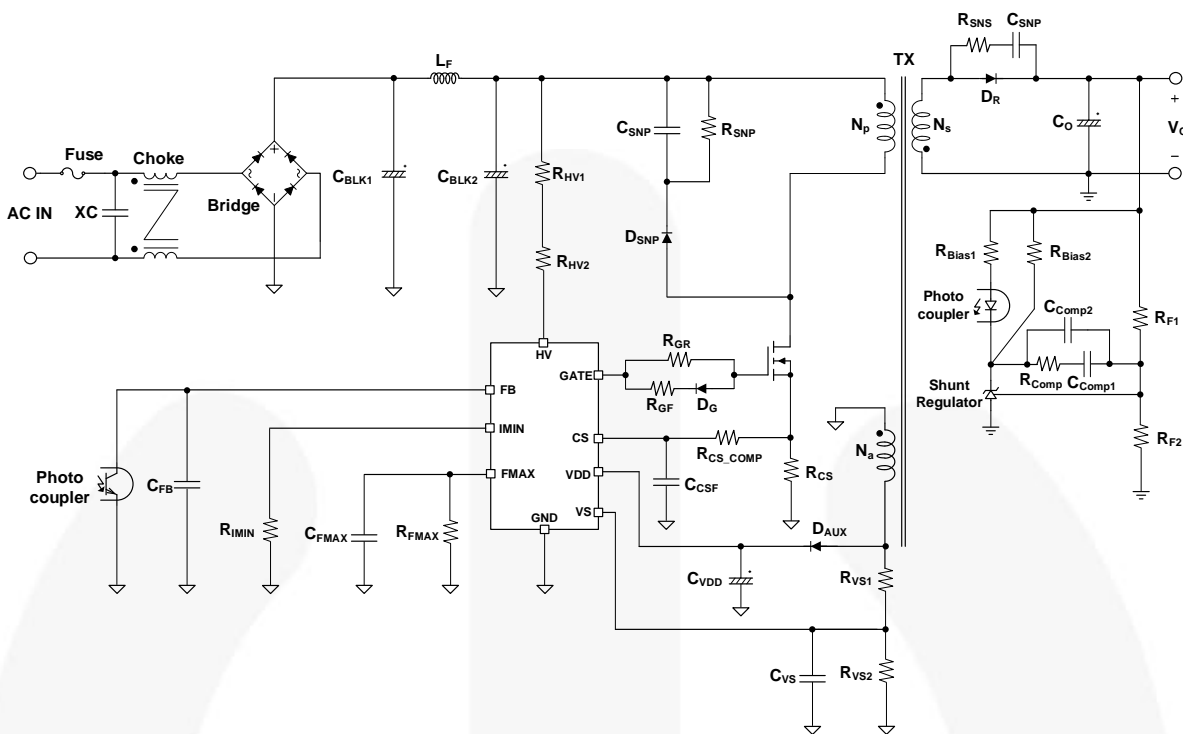


Figure 1. FAN602L Typical Application Circuit

### Block Diagram

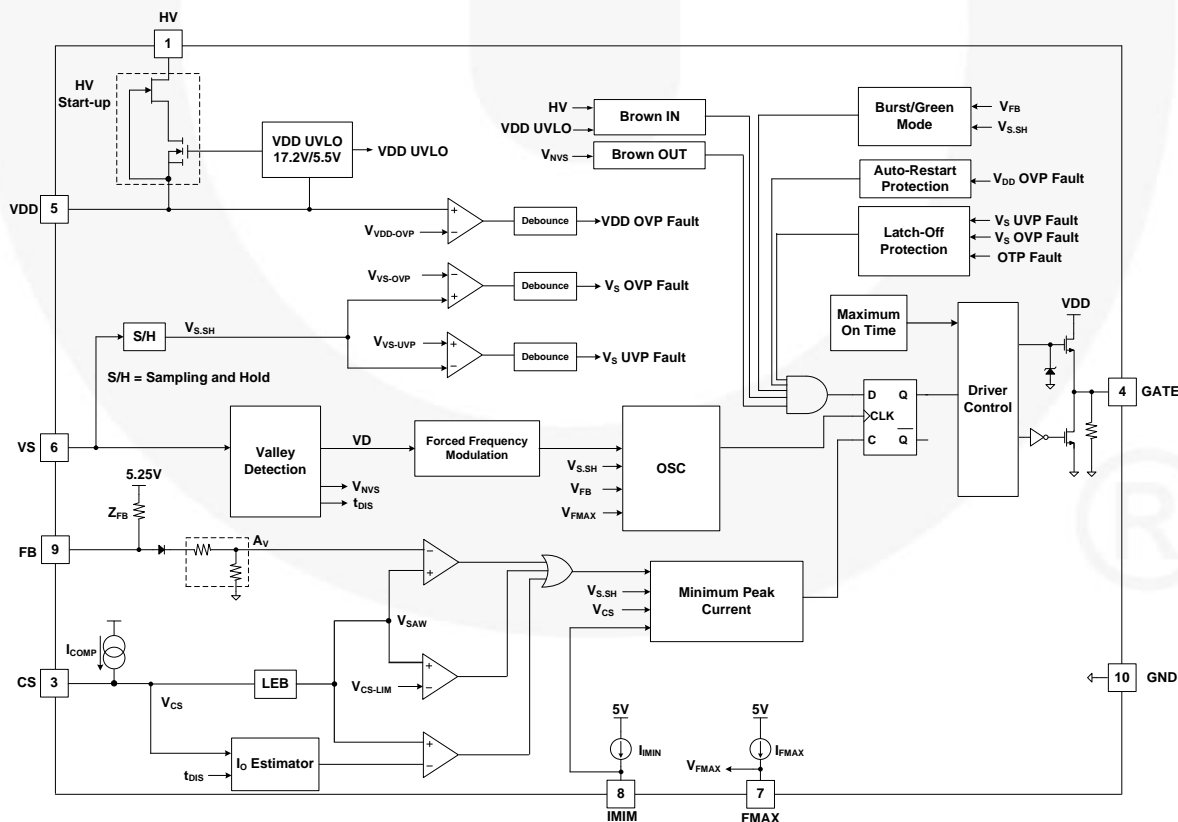


Figure 2. FAN602L Block Diagram

## Marking Information



Figure 3. Top Mark

## Pin Configuration

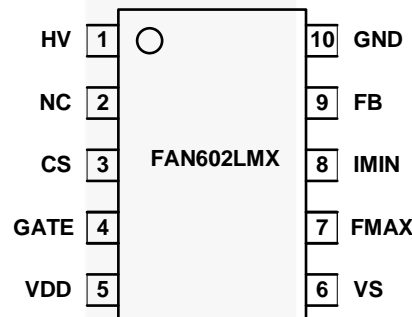


Figure 4. Pin Assignment

## Pin Definitions

Pin #	Name	Description
1	HV	<b>High Voltage.</b> This pin connects to DC bus for high-voltage startup.
2	NC	<b>No Connect.</b>
3	CS	<b>Current Sense.</b> This pin connects to a current-sense resistor to sense the MOSFET current for Peak-Current-Mode control for output regulation. The current sense information is also used to estimate the output current for CC regulation.
4	GATE	<b>PWM Signal Output.</b> This pin has an internal totem-pole output driver to drive the power MOSFET. The gate driving voltage is internally clamped at 7.5 V.
5	VDD	<b>Power Supply.</b> IC operating current and MOSFET driving current are supplied through this pin. This pin is typically connected to an external $V_{DD}$ capacitor.
6	VS	<b>Voltage Sense.</b> The VS voltage is used to detect resonant valleys for quasi-resonant switching. This pin detects the output voltage information and diode current discharge time based on the auxiliary winding voltage. It also senses input voltage for Brownout protection.
7	FMAX	<b>Maximum Blanking Frequency.</b> This pin connects to external resistor to program maximum blanking frequency.
8	IMIN	<b>Minimum <math>V_{cs}</math>.</b> This pin connects to external resistor to program minimum VCS Threshold level for burst mode operating optimization.
9	FB	<b>Feedback.</b> Typically Opto-Coupler is connected to this pin to provide feedback information to the internal PWM comparator. This feedback is used to control the duty cycle in CV regulation.
10	GND	<b>Ground.</b>

## Absolute Maximum Ratings

Stresses exceeding the absolute maximum ratings may damage the device. The device may not function or be operable above the recommended operating conditions and stressing the parts to these levels is not recommended. In addition, extended exposure to stresses above the recommended operating conditions may affect device reliability. The absolute maximum ratings are stress ratings only.

Symbol	Parameter		Min.	Max.	Unit
V <sub>HV</sub>	HV Pin Input Voltage			500	V
V <sub>VDD</sub>	DC Supply Voltage			30	V
V <sub>VS</sub>	VS Pin Input Voltage		-0.3	6.0	V
V <sub>CS</sub>	CS Pin Input Voltage		-0.3	6.0	V
V <sub>FB</sub>	FB Pin Input Voltage		-0.3	6.0	V
V <sub>FMAX</sub>	FMAX Pin Input Voltage		-0.3	6.0	V
V <sub>IMIN</sub>	IMIN Pin Input Voltage		-0.3	6.0	V
P <sub>D</sub>	Power Dissipation (T <sub>A</sub> =25°C)			850	mW
θ <sub>JA</sub>	Thermal Resistance (Junction-to-Ambient)			140	°C/W
Ψ <sub>JT</sub>	Thermal Resistance (Junction-to-Top)			13	°C/W
T <sub>J</sub>	Operating Junction Temperature		-40	+150	°C
T <sub>STG</sub>	Storage Temperature Range		-40	+150	°C
T <sub>L</sub>	Lead Temperature, (Wave soldering or IR, 10 Seconds)			+260	°C
ESD <sup>(3)</sup>	Electrostatic Discharge Capability	Human Body Model, JEDEC:JESD22_A114 (Except HV Pin)		3.0	kV
		Charged Device Model, JEDEC:JESD22_C101 (Except HV Pin)		2.0	

### Notes:

- All voltage values, except differential voltages, are given with respect to GND pin.
- Stresses beyond those listed under Absolute Maximum Ratings may cause permanent damage to the device.
- ESD ratings including HV pin: HBM=2.0 kV, CDM=2.0 kV.

## Recommended Operating Conditions

The Recommended Operating Conditions table defines the conditions for actual device operation. Recommended operating conditions are specified to ensure optimal performance. Fairchild does not recommend exceeding them or designing to Absolute Maximum Ratings.

Symbol	Parameter	Min.	Typ.	Max.	Unit
V <sub>HV</sub>	HV Pin Supply Voltage	50		400	V
V <sub>VDD</sub>	VDD Pin Supply Voltage	6	15	25	V
V <sub>VS</sub>	VS Pin Supply Voltage	0.65		2.90	V
V <sub>CS</sub>	CS Pin Supply Voltage	0		0.9	V
V <sub>FB</sub>	FB Pin Supply Voltage	0		5.25	V
V <sub>FMAX</sub>	FMAX Pin Supply Voltage	0		1	V
V <sub>IMIN</sub>	IMIN Pin Supply Voltage	0		2.5	V
T <sub>A</sub>	Operating Temperature	-40		+85	°C

## Electrical Characteristics

$V_{DD}=15\text{ V}$  and  $T_J=-40\sim 125\text{ }^\circ\text{C}$  unless noted.

Symbol	Parameter	Conditions	Min.	Typ.	Max.	Unit
<b>HV Section</b>						
$I_{HV}$	Supply Current Drawn from HV Pin	$V_{HV}=120\text{ V}$ , $V_{DD}=0\text{ V}$	1.2	2.0	10	mA
$I_{HV-LC}$	Leakage Current Drawn from HV Pin	$V_{HV}=500\text{ V}$ , $V_{DD}=V_{DD-OFF}+1\text{ V}$	0	0.8	10	$\mu\text{A}$
$V_{Brown-IN}$	Brown-In Threshold Voltage.	$R_{HV}=150\text{ k}\Omega$ , $V_{IN}=80\text{ V}_{rms}$	100	110	120	V
<b>V<sub>DD</sub> Section</b>						
$V_{DD-ON}$	Turn-On Threshold Voltage	$V_{DD}$ Rising	15.3	17.2	18.7	V
$V_{DD-OFF}$	Turn-Off Threshold Voltage	$V_{DD}$ Falling	5.0	5.5	5.7	V
$V_{DD-HV-ON}$	Threshold Voltage for HV Startup	$T_J=25^\circ\text{C}$	4.1	4.7	5.4	V
$V_{DD-DLH}$	Threshold Voltage for Latch Release		2	2.5	3	V
$I_{DD-ST}$	Startup Current	$V_{DD}=V_{DD-ON}-0.16\text{ V}$ , $T_J=25^\circ\text{C}$		300	400	$\mu\text{A}$
$I_{DD-OP}$	Operating Supply Current	$V_{CS}=5.0\text{ V}$ , $V_S=3\text{ V}$ , $V_{FB}=3\text{ V}$ , $V_{DD}=15\text{ V}$ , $C_{GATE}=1\text{ nF}$		2	3	mA
$I_{DD-Burst}$	Burst-Mode Operating Supply Current	$V_{CS}=0.3\text{ V}$ , $V_S=0\text{ V}$ , $V_{FB}=0\text{ V}$ ; $V_{DD}=V_{DD-ON}\rightarrow V_{DD-OVP}\rightarrow 10\text{ V}$ , $C_{GATE}=1\text{ nF}$		300	600	$\mu\text{A}$
$V_{VDD-OVP}$	$V_{DD}$ Over-Voltage-Protection Level	$T_J=25^\circ\text{C}$	27.5	29.0	29.5	V
$t_{D-VDDOVP}$	VDD Over-Voltage-Protection Debounce Time			70	105	$\mu\text{s}$
<b>Oscillator Section</b>						
$I_{FMAX}$	FMAX Pin Current		18	20	22	$\mu\text{A}$
$f_{BNK-MAX}$	Maximum Blanking Frequency	$R_{FMAX}=0$	130	140	150	kHz
$f_{BNK-MIN}$	Minimum Blanking Frequency	$R_{FMAX}=48.3\text{ k}\Omega$	50	60	65	kHz
$f_{OSC-MIN-DCM}$	Minimum Frequency for DCM	$V_{VS}=0\text{ V}$	40	50	60	kHz
$f_{OSC-MIN-CrM}$	Minimum Frequency for CrM	$V_{VS}=1\text{ V}$ , $T_J=25^\circ\text{C}$	11	20	29	kHz
$\Delta t_{FM-Range}$	Forced Frequency Modulation Range <sup>(4)</sup>	$V_{FB} > V_{FB-Burst-H}$	225	265	305	ns
$\Delta t_{FM-Period}$	Forced Frequency Modulation Period <sup>(4)</sup>		2.1	2.5	2.9	ms
<b>Feedback Input Section</b>						
$Z_{FB}$	FB Pin Input Impedance		39	42	45	k $\Omega$
$A_V$	Internal Voltage Attenuator of FB Pin <sup>(4)</sup>	$V_{HV}=120\text{ V}_{DC}$ , $V_{DD}=0\text{ V}$	1/3	1/3.5	1/4	V/V
$V_{FB-Open}$	FB Pin Pull-Up Voltage	FB Pin Open	4.75	5.25	5.90	V
$V_{FB-Burst-H}$	FB Threshold to Enable/Disable Gate Drive in Burst Mode	$V_{FB}$ Rising	1.15	1.25	1.35	V
$V_{FB-Burst-L}$		$V_{FB}$ Falling	1.1	1.2	1.3	V
$V_{FB-BNK-H}$	Frequency Fold-back Starting/Stopping		1.75	2.05	2.35	V
$V_{FB-BNK-L}$		$V_{FB}$	1.2	1.5	1.8	V

Continued on the following page...

## Electrical Characteristics

$V_{DD}=15\text{ V}$  and  $T_J=-40\sim 125\text{ }^\circ\text{C}$  unless noted.

Symbol	Parameter	Conditions	Min.	Typ.	Max.	Unit
<b>Voltage-Sense Section</b>						
$I_{VS-MAX}$	Maximum $V_S$ Source Current Capability				3	mA
$t_{VS-BNK1}$	$V_S$ Sampling Blanking Time 1 after GATE Pin Pull-Low	$V_{FB} < 2.0\text{ V}$	0.90	1.10	1.37	$\mu\text{s}$
$t_{VS-BNK2}$	$V_S$ Sampling Blanking Time 2 after GATE Pin Pull-Low	$V_{FB} > 2.2\text{ V}$ , $T_J=25^\circ\text{C}$	1.6	1.8	2.1	$\mu\text{s}$
$t_{ZCD-to\ PWM}$	Delay from $V_S$ Voltage Zero Crossing to PWM ON <sup>(4)</sup>	$V_{VS}=0\text{ V}$ , $C_{GATE}=1\text{ nF}$		175		ns
$I_{VS-Brownout}$	$V_S$ Source Current Threshold to Enable Brownout	Set $I_{VS}=2.4\text{ mA}$ at $264\text{ V}_{rms}$ , Brownout $=55\text{ V}_{rms}$	370	450	520	$\mu\text{A}$
$t_{D-Brownout}$	Brownout Debounce Time		12.5	16.5	21.0	ms
$V_{VS-OVP}$	Output Over-Voltage-Protection with $V_S$ Sampling Voltage		2.8	2.9	3.0	V
$N_{VS-OVP}$	Output Over-Voltage-Protection Debounce Cycle Counts			2		Cycle
$V_{VS-UVLP-H}$	Output Under-Voltage-Protection with $V_S$ Sampling Voltage	$T_J=25^\circ\text{C}$	0.76	0.80	0.84	V
$V_{VS-UVLP-L}$	Output Under-Voltage-Protection with $V_S$ Sampling Voltage	$T_J=25^\circ\text{C}$	0.625	0.650	0.675	V
$N_{VS-UVLP}$	Output Over-Voltage-Protection Debounce Cycle Counts			2		Cycle
$t_{VS-UVLP-BLANK}$	Output Under-Voltage Protection Blanking Time at startup		25	40	55	ms
<b>Over-Temperature Protection Section</b>						
$T_{OTP}$	Threshold Temperature for Over-Temperature-Protection <sup>(4)</sup>			140		$^\circ\text{C}$
<b>Current-Sense Section</b>						
$V_{CS-LIM}$	Current Limit Threshold Voltage	FB Pin Open	0.85	0.90	0.95	V
$I_{IMIN}$	IMIN Pin Current		9	10	11	$\mu\text{A}$
$V_{CS-IMIN-MIN}$	Minimum Current Sense Voltage	$V_{S\_SH}=2.5\text{ V}$ , $R_{IMIN}=250\text{ k}\Omega$	0.14	0.18	0.23	V
$V_{CS-IMIN-MAX}$	Maximum Current Sense Voltage	$V_{S\_SH}=2.5\text{ V}$ , $R_{IMIN}=0\text{ }\Omega$	0.40	0.44	0.50	V
$t_{PD}$	GATE Output Turn-Off Delay			100	200	ns
$t_{LEB}$	Leading-Edge Blanking Time			150	200	ns

Continued on the following page...

## Electrical Characteristics

$V_{DD}=15\text{ V}$  and  $T_J=-40\sim 125\text{ }^\circ\text{C}$  unless noted.

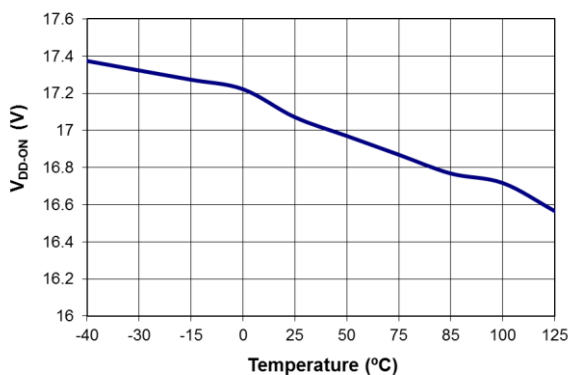
Symbol	Parameter	Conditions	Min.	Typ.	Max.	Unit
<b>Constant Current Correction Section</b>						
$I_{COMP-H}$	High Line Compensation Current	$V_{IN}=264\text{ V}_{rms}$	90	100	110	$\mu\text{A}$
$I_{COMP-L}$	Low Line Compensation Current	$V_{IN}=90\text{ V}_{rms}$	32	36	40	$\mu\text{A}$
<b>Constant Current Estimator</b>						
$V_{REF\_CC}$	Constant Current Control Reference Voltage <sup>(4)</sup>			1.2		V
$A_{PK}$	Peak Value Amplifying Gain <sup>(4)</sup>			3.6		V/V
$V_{FB-CC-Open}$	FB CC Pull-Up Voltage <sup>(4)</sup>			4.0		V
$A_{V-CC}$	Internal Voltage Attenuator of FB CC <sup>(4)</sup>			0.444		V/V
<b>GATE Section</b>						
$V_{GATE-L}$	Gate Output Voltage Low		0		1.5	V
$V_{DD-PMOS-ON}$	Internal Gate PMOS Driver ON		7.0	7.5	8.0	V
$V_{DD-PMOS-OFF}$	Internal Gate PMOS Driver OFF		9.0	9.5	10.0	V
$t_r$	Rising Time	$V_{CS}=0\text{ V}, V_S=0\text{ V}, C_{GATE}=1\text{ nF}$	100	135	180	ns
$t_f$	Falling Time	$V_{CS}=0\text{ V}, V_S=0\text{ V}, C_{GATE}=1\text{ nF}$	30	50	70	ns
$V_{GATE-CLAMP}$	Gate Output Clamping Voltage	$V_{DD}=25\text{ V}$	6.8	7.5	8.2	V
$t_{ON-MAX}$	Maximum On Time	$V_{FB}=3\text{ V}, V_{CS}=0.3\text{ V}$	18	20	23	$\mu\text{s}$

**Note:**

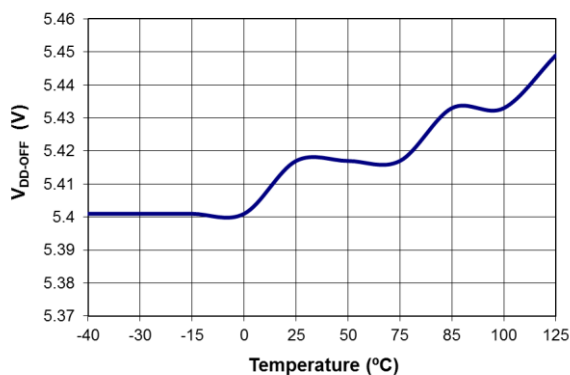
4. Guaranteed by design.



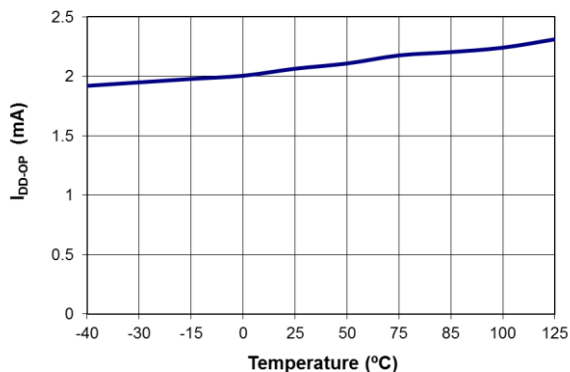
## Typical Performance Characteristics



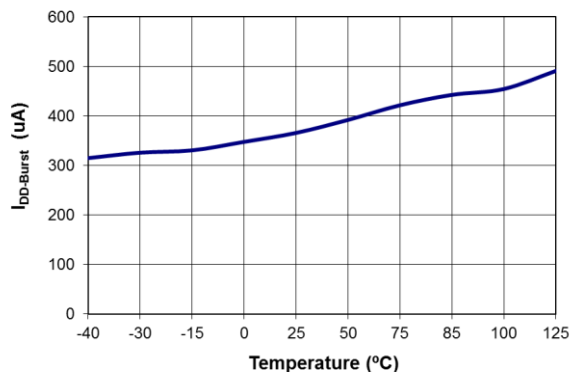
**Figure 5. Turn-On Threshold Voltage (V<sub>DD-ON</sub>) vs. Temperature**



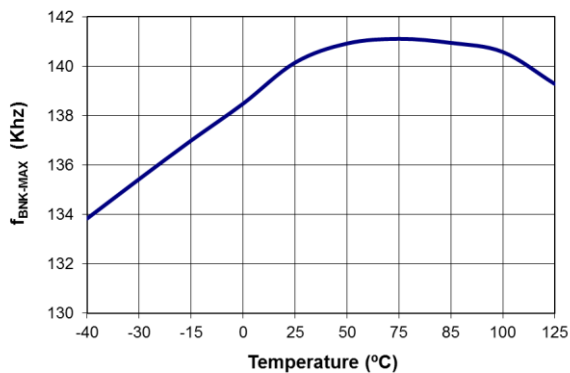
**Figure 6. Turn-Off Threshold Voltage (V<sub>DD-OFF</sub>) vs. Temperature**



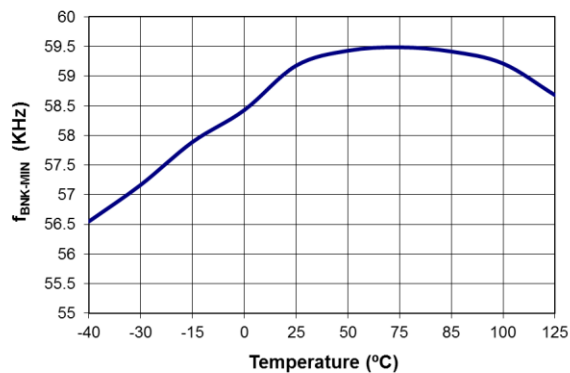
**Figure 7. Operating Supply Current (I<sub>DD-OP</sub>) vs. Temperature**



**Figure 8. Burst-Mode Operating Supply Current (I<sub>DD-Burst</sub>) vs. Temperature**

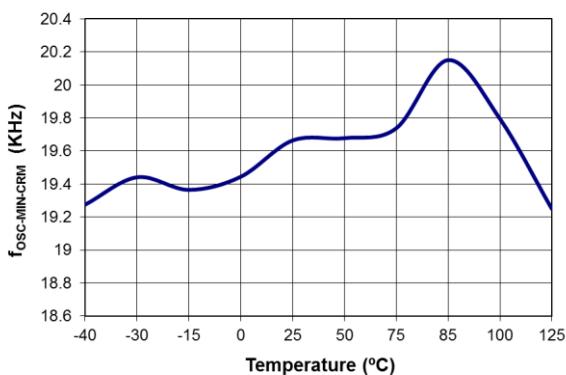


**Figure 9. Maximum Blanking Frequency (f<sub>BNK-MAX</sub>) vs. Temperature**

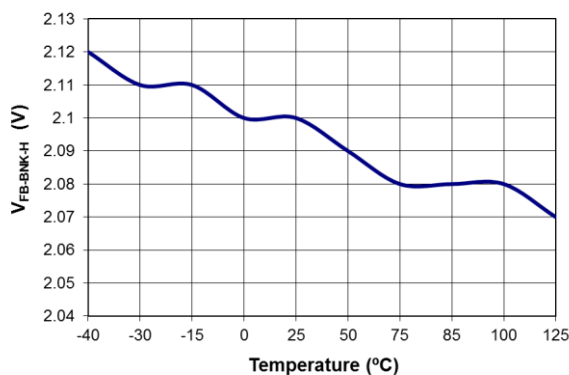


**Figure 10. Minimum Blanking Frequency (f<sub>BNK-MIN</sub>) vs. Temperature**

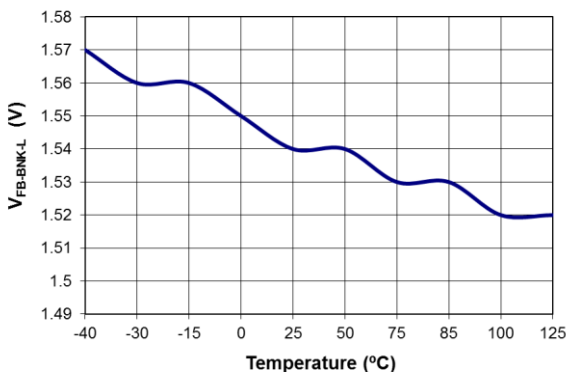
### Typical Performance Characteristics (Continued)



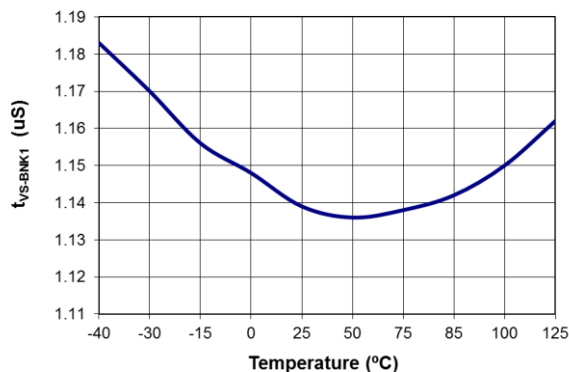
**Figure 11. Minimum Frequency for CrM ( $f_{OSC-MIN-CrM}$ ) vs. Temperature**



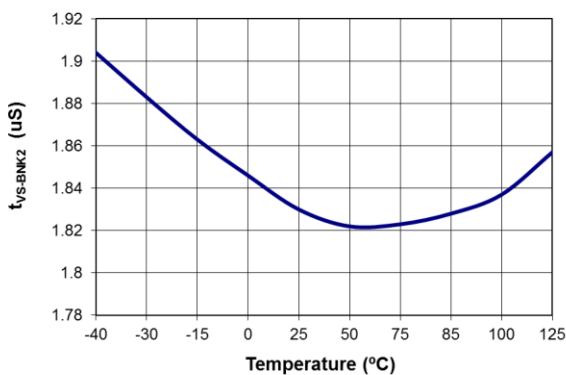
**Figure 12. Frequency Fold-back Starting ( $V_{FB-BNK-H}$ ) vs. Temperature**



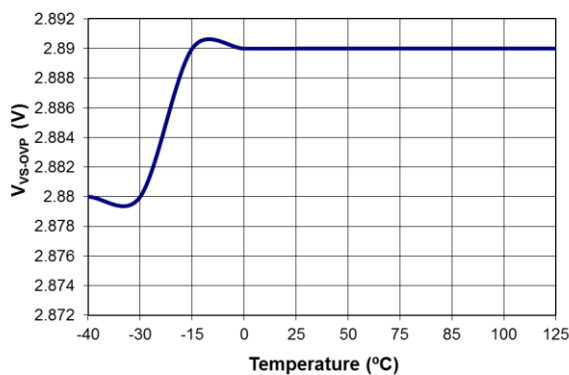
**Figure 13. Frequency Fold-back Stopping ( $V_{FB-BNK-L}$ ) vs. Temperature**



**Figure 14.  $V_S$  Sampling Blanking Time 1 ( $t_{VS-BNK1}$ ) vs. Temperature**

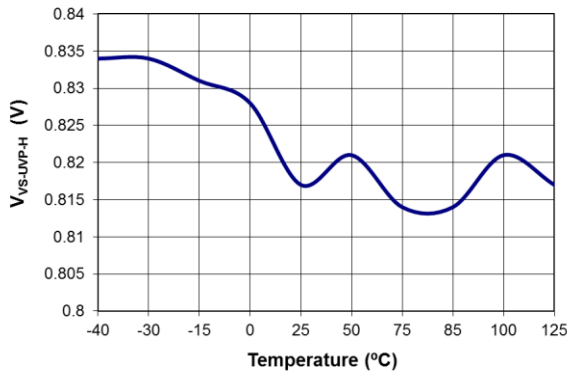


**Figure 15.  $V_S$  Sampling Blanking Time 2 ( $t_{VS-BNK2}$ ) vs. Temperature**

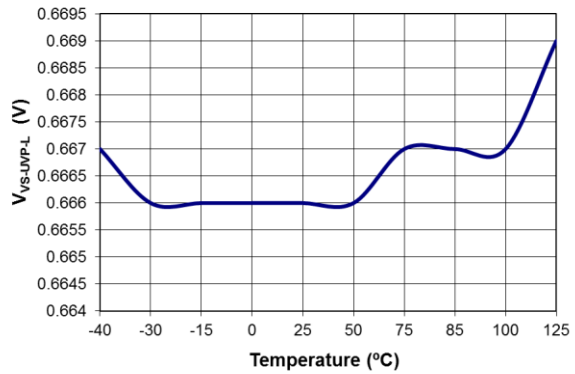


**Figure 16. Output Over-Voltage-Protection ( $V_{VS-OVP}$ ) vs. Temperature**

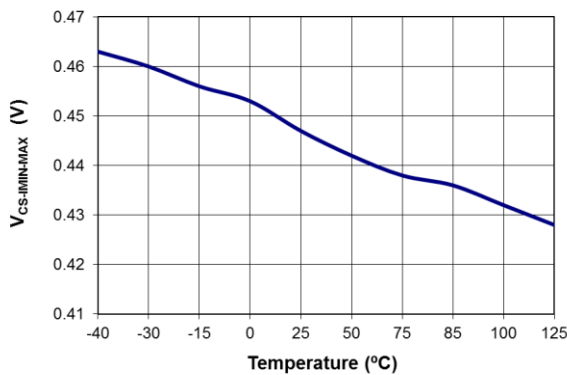
**Typical Performance Characteristics** (Continued)



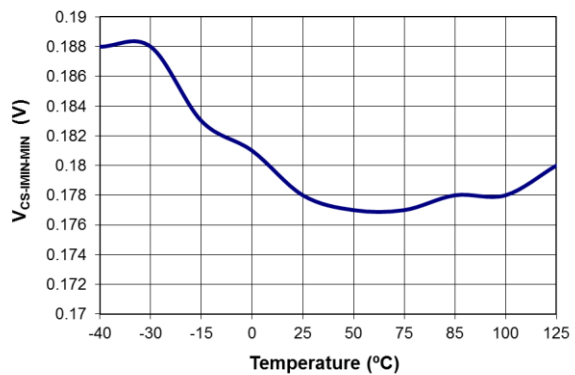
**Figure 17. Output Under-Voltage Protection ( $V_{VS-UVPH}$ ) vs. Temperature**



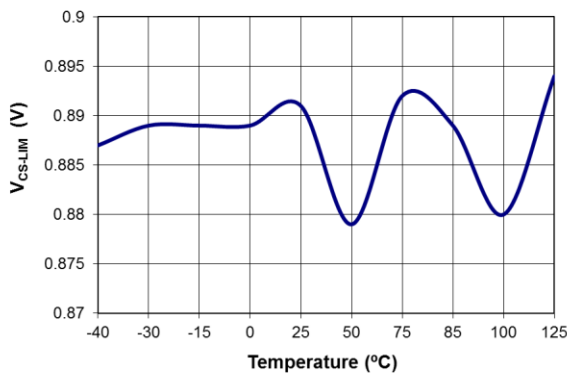
**Figure 18. Output Under-Voltage Protection ( $V_{VS-UVPL}$ ) vs. Temperature**



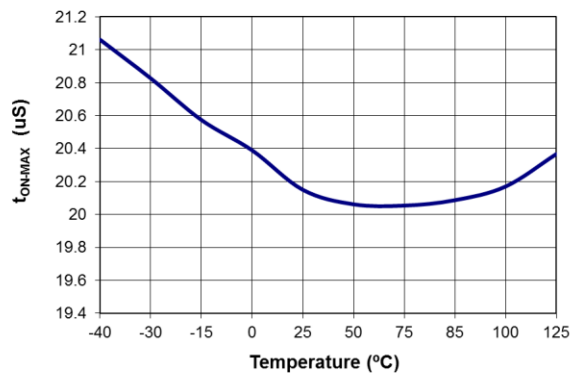
**Figure 19. Maximum Current Sense Voltage ( $V_{CS-IMIN-MAX}$ ) vs. Temperature**



**Figure 20. Minimum Current Sense Voltage ( $V_{CS-IMIN-MIN}$ ) vs. Temperature**



**Figure 21. Current Limit Threshold Voltage ( $V_{CS-LIM}$ ) vs. Temperature**



**Figure 22. Maximum On Time ( $t_{ON-MAX}$ ) vs. Temperature**

## Functional Description

FAN602L is an offline PWM controller which operates in a quasi-resonant (QR) mode and significantly enhances system efficiency and power density. Its control method is based on the load condition (valley switching with fixed blanking time at heavy load and valley switching with variable blanking time at medium load) to maximize the efficiency. FMAX pin allows programming the maximum blanking frequency. It offers constant output voltage (CV) regulation through opto-coupler feedback circuitry.

Line voltage compensation gain can be programmed by using an external resistor to minimize the effect of line voltage variation on output current regulation due to turn-off delay of the gate drive circuit. FAN602L incorporates HV startup and accurate brown-in through HV pin. The brown-in voltage is programmed by using an external HV pin resistor. The minimum peak current ( $V_{CS-IMIN}$ ), which controls the burst mode entry/exit and improves light load efficiency, is programmable via an external resistor connected to the IMIN pin.

## Basic Operation Principle

Quasi-resonant switching is a method to reduce primary MOSFET switching losses especially in high line. In order to perform QR turn-on of the primary MOSFET, the valley of the resonance occurring between transformer magnetizing inductance ( $L_m$ ) and MOSFET effective output capacitance ( $C_{OSS-eff}$ ) must be detected.

$$C_{OSS-eff} = C_{OSS-MOSFET} + C_{trans} + C_{parasitic} \quad (1)$$

$$t_{resonance} = 2\pi \cdot \sqrt{L_m \cdot C_{OSS-eff}} \quad (2)$$

For heavy load condition (50%~100% of full load), the blanking time for the valley detection is fixed such that the switching time is between  $t_{BNK}$  and  $t_{BNK}+t_{resonance}$ . The upper limit of the blanking frequency is programmed by FMAX pin. For the medium load condition (25%~50% of full load), the blanking time is modulated as a function of load current such that the upper limit of the blanking frequency varies from  $f_{BNK-MAX}$  as load decreases where the blanking frequency reduction stop point is  $f_{BNK-MIN}$ .

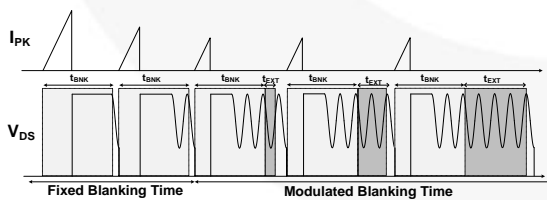


Figure 23. Frequency Fold-back Function

## The Maximum Blanking Frequency Selection

The FAN602L allows adjusting the maximum blanking frequency ( $f_{BNK-MAX}$ ) of operation through an external resistor on the FMAX pin. As shown in Figure 24, an internal current source of  $20 \mu A$  creates a voltage  $V_{FMAX}$  across the resistance,  $R_{FMAX}$ . This voltage sets the oscillator reference voltage which determines  $t_{BNK-MIN}$  (time period for  $f_{BNK-MAX}$ ). The relationship between  $f_{BNK-MAX}$  and  $R_{FMAX}$  is shown in Figure 25.

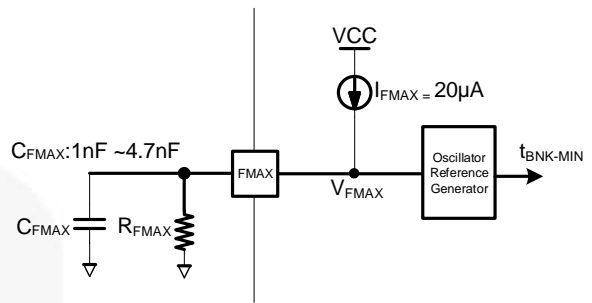


Figure 24. FMAX Function Circuit

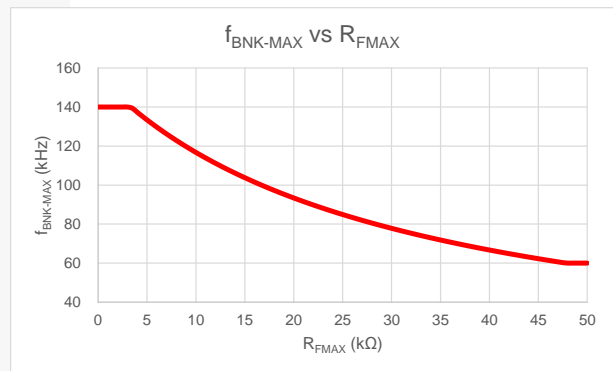


Figure 25.  $f_{BNK-MAX}$  vs.  $R_{FMAX}$

## Valley Detection

There will be a logic propagation delay from VS Zero-Crossing Detection ( $V_{S-ZCD}$ ) to IC GATE turn on and a MOSFET gate drives propagation delay from GATE pin to MOSFET turn on. We can assume the sum of these propagation delays to be  $t_{ZCD-to-PWM}$ , as shown in Figure 27. However, if  $1/2 t_F$  is larger than  $t_{ZCD-to-PWM}$ , the switching occurs away from the valley causing higher losses. The time period of resonant ringing is dependent on  $L_m$  and  $C_{OSS-eff}$ . Typically, the time period of resonance ringing is around  $1\sim 1.5 \mu s$  depending on the system parameters. Hence, the switching may occur at a point different from the valley depending on the system. When PCB layout is poor, it may cause noise on the VS pin. The VS pin needs to be in parallel with the capacitor ( $C_{VS}$ ) less than  $10 pF$  to filter the noise.

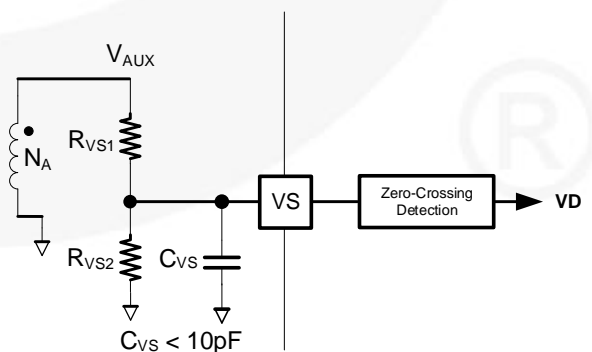
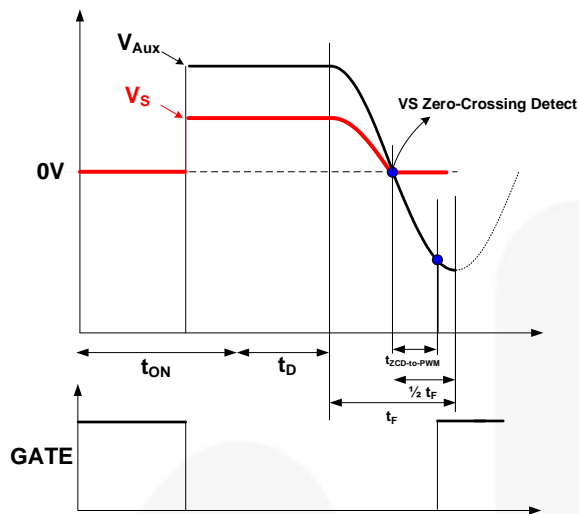


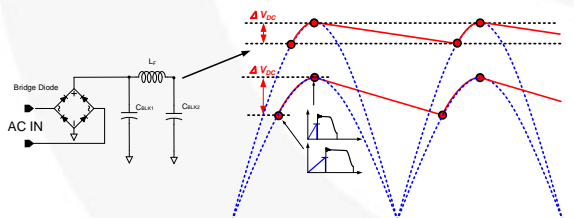
Figure 26. The Valley Detection Circuit



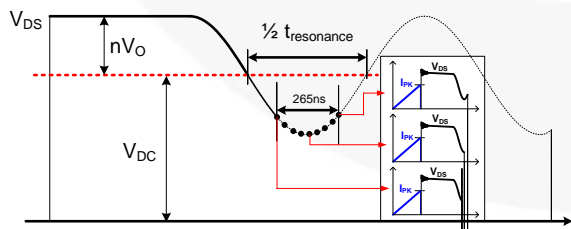
**Figure 27. Valley Detection Behavior**

### Inherent and Forced Frequency Modulation

Typically, the bulk capacitor of flyback converter has a longer charging time in low line than in high line. Thus, the voltage ripple ( $\Delta V_{DC}$ ) in low line is higher as shown in Figure 28. This large ripple results in 4~6% variation of the switching frequency in low line for a valley switched converter. Hence, the EMI performance in low line is satisfied. However, in high line, the ripple is very small and consequent. The EMI performance for high line may suffer. In order to maintain good EMI performance for high line, forced frequency modulation is provided. FAN602L varies the valley switching point from 0 to  $\Delta t_{FM-Range}$  (265 ns) in every  $\Delta t_{FM-Period}$  (2.5 ms) as shown in Figure 29. Since the drain voltage at which the switching occurs does not change much with this variation, there is minimum impact on the efficiency.



**Figure 28. Inherent Frequency Modulation**

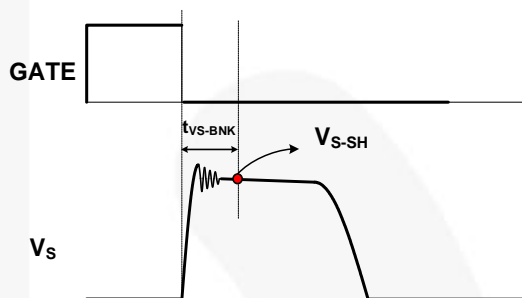


**Figure 29. Forced Frequency Modulation**

### Output Voltage Detection

Figure 30 shows the  $V_S$  voltage is sampled ( $V_{S-SH}$ ) after  $t_{VS-BNK}$  of GATE turn-off so that the ringing does not introduce any error in the sampling. FAN602L dynamically varies  $t_{VS-BNK}$  with load. At heavy load,  $t_{VS-BNK} = t_{VS-BNK1}$  (1.8  $\mu s$ ) when  $V_{FB} > 2.2$  V. At light load,  $t_{VS-BNK} = t_{VS-BNK2}$  (1.1  $\mu s$ ) when  $V_{FB} < 2$  V. This dynamic variation ensures that  $V_S$  sampling occurs after ringing due to leakage inductance has stopped and before secondary current goes to zero.

$$V_{S-SH} = V_O \cdot \frac{N_A}{N_S} \cdot \frac{R_{VS2}}{(R_{VS1} + R_{VS2})} \quad (3)$$



**Figure 30. Output Voltage Detection**

### Burst Mode Operation

FAN602L features burst mode operation with a programmable burst mode entry load condition by using minimum peak current ( $V_{CS-IMIN}$ ) control which enables light-load efficiency to be optimized for a given application. The IMIN pin can be programmed with external resistor  $R_{IMIN}$  to select the minimum  $V_{CS}$  threshold level for burst mode entry. Figure 31 shows the implementation of IMIN in FAN602L.

Figure 32 shows when  $V_{FB}$  drops below  $V_{FB-Burst-L}$ , the PWM output shuts off and the output voltage drops at a rate which is depended on the load current level. This causes the feedback voltage to rise. Once  $V_{FB}$  exceeds  $V_{FB-Burst-H}$ , FAN602L resumes switching. As shown in Figure 33, when the FB voltage drops below the corresponding  $V_{CS-IMIN}$ , the peak currents in switching cycles are fixed to  $V_{CS-IMIN}$  regardless of FB voltage. Thus, more power is delivered to the load than required and once FB voltage is pulled low below  $V_{FB-Burst-L}$ , switching stops again. In this manner, the burst mode operation alternately enables and disables switching of the MOSFET to reduce the switching losses.

For adaptive output application, the minimum peak current is modulated in accordance with the  $V_{S-SH}$  such that the minimum peak current is proportional to the square root of output voltage. For easy circuit implementation, curve fitting is used as shown in Figure 34.

$$V_{CS-IMIN} = \frac{(V_{S-SH} - I_{MIN} \times R_{IMIN})}{10} + 0.2 \quad (4)$$

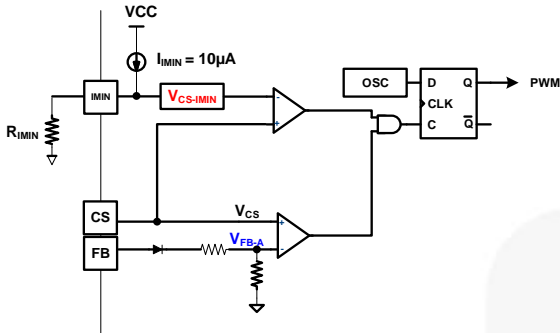


Figure 31. IMIN Function Circuit

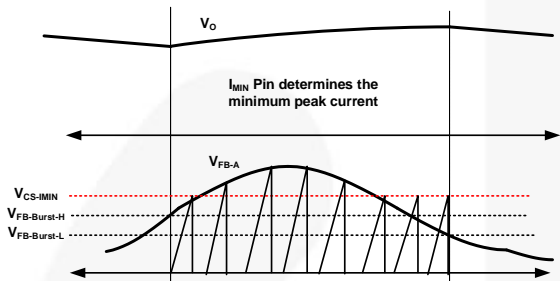


Figure 32. Burst-Mode Operation with IMIN

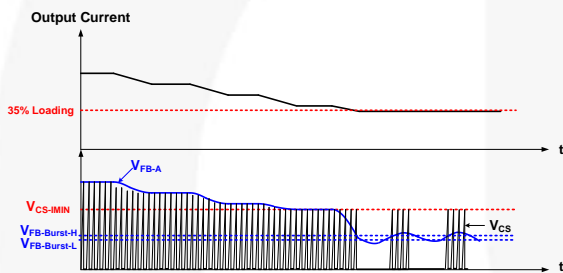


Figure 33. System enter Burst-mode Behavior

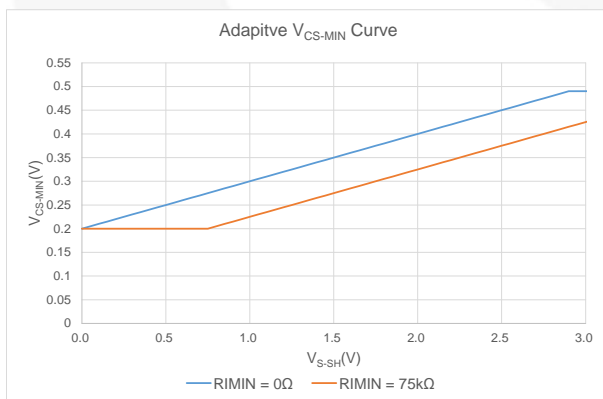


Figure 34.  $V_{CS-IMIN}$  as a Function of  $R_{IMIN}$  with Variation of  $V_{S-SH}$

### Deep Burst Mode

FAN602L enters deep burst mode if FB voltage stays lower than  $V_{FB-Burst-L}$  for more than  $t_{Deep-Burst-Entry}$  (640  $\mu$ s). Once FAN602L enters deep burst mode, the operating current is reduced to  $I_{DD-Burst}$  (300  $\mu$ A) to minimize power consumption. Once feedback voltage is more than  $V_{FB-Burst-H}$ , power-on-reset occurs within a time period of  $t_{Deep-Burst-Exit}$  (25  $\mu$ s) and IC resumes switching with normal operating current,  $I_{DD-OP}$ .

### Line Voltage Detection

The FAN602L indirectly senses the line voltage through the VS pin while the MOSFET is turned on, as illustrated in Figure 35 and Figure 36. During MOSFET turn-on period, the auxiliary winding voltage,  $V_{AUX}$ , is proportional to the input bulk capacitor voltage,  $V_{BLK}$ , due to the transformer coupling between the primary and auxiliary windings. During the MOSFET conduction time, the line voltage detector clamps the VS pin voltage to  $V_{S-Clamp}$  (0 V), and then the current  $I_{VS}$  flowing out of VS pin is expressed as:

$$I_{VS} = \frac{V_{BLK}}{R_{VS1}} \cdot \frac{N_A}{N_S} \quad (5)$$

The  $I_{VS}$  current, reflecting the line voltage information, is used for brownout protection and CC control correction weighting.

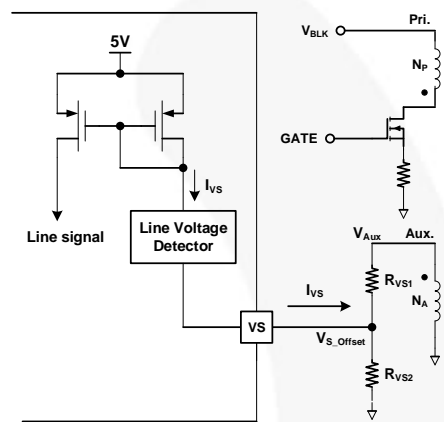


Figure 35. Line Voltage Detection Circuit

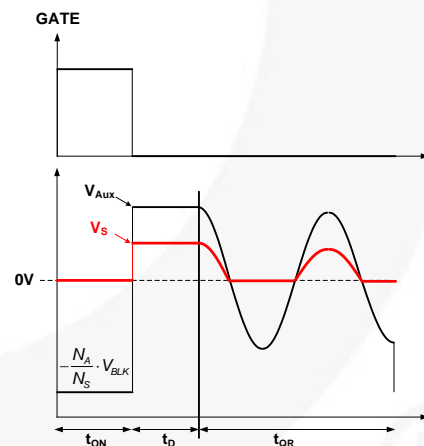


Figure 36. Waveforms for Line Voltage Detection

### CV / CC PWM Operation Principle

Figure 37 shows a simplified CV / CC PWM control circuit of the FAN602L. The Constant Voltage (CV) regulation is implemented in the same manner as the conventional isolated power supply, where the output voltage is sensed using a voltage divider and compared with the internal reference of the shunt regulator to generate a compensation signal. The compensation signal is transferred to the primary side through an optocoupler and scaled down by attenuator  $A_V$  to generate a COMV signal. This COMV signal is applied to the PWM comparator to determine the duty cycle.

The Constant Current (CC) regulation is implemented internally with primary-side control. The output current estimator calculates the output current using the transformer primary-side current and diode current discharge time. By comparing the estimated output current with internal reference signal, a COMI signal is generated to determine the duty cycle.

These two control signals, COMV and COMI, are compared with an internal saw-tooth waveform ( $V_{SAW}$ ) by two PWM comparators to determine the duty cycle. Figure 38 illustrates the outputs of two comparators, combined with an OR gate, to determine the MOSFET turn-off instant. Either of COMV or COMI, the lower signal determines the duty cycle. As shown in Figure 38, during CV regulation, COMV determines the duty cycle while COMI is saturated to HIGH level. During CC regulation, COMI determines the duty cycle while COMV is saturated to HIGH level.

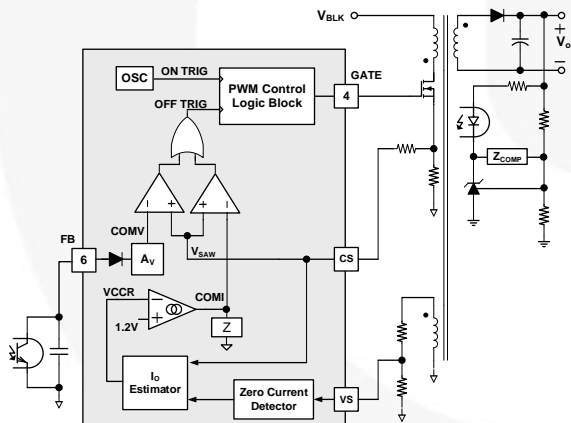


Figure 37. Simplified PWM Control Circuit

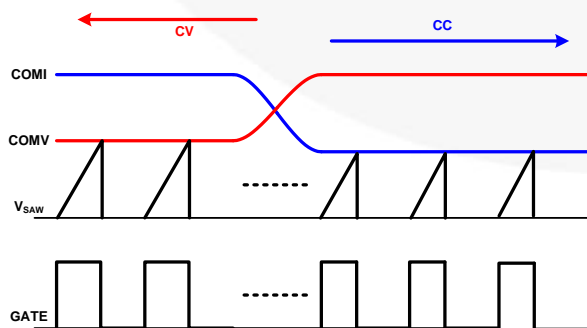


Figure 38. PWM Operation for CV/CC Regulation

### Primary-Side Constant Current Operation

Figure 39 shows the key waveforms of a flyback converter operating in DCM. The output current is estimated by calculating the average of output diode current in the one switching cycle:

$$I_O = \frac{1}{2} \frac{1}{R_{CS}} \frac{V_{CS-PK}}{T_S} \cdot \frac{1}{N_S} \frac{N_P}{N_S} \eta = \frac{1}{2} \frac{1}{R_{CS}} \frac{V_{REF\_CC}}{A_{PK}} \frac{N_P}{N_S} \eta \quad (6)$$

When the diode current reaches zero, the transformer winding voltage begins to drop sharply and VS pin voltage drops as well. When VS pin voltage drops below the  $V_{S-SH}$  by more than 500 mV, Zero Current Detection (ZCD) of diode current is obtained.

The output current can be programmed by setting the current sensing resistor as:

$$R_{CS} = \frac{1}{2} \cdot \frac{1}{I_O} \cdot \frac{V_{REF\_CC}}{A_{PK}} \cdot \frac{N_P}{N_S} \cdot \eta \quad (7)$$

Where  $V_{REF\_CC}$  is the internal voltage for CC control and  $A_{PK}$  is the IC design parameter, 3.6 for FAN602L.

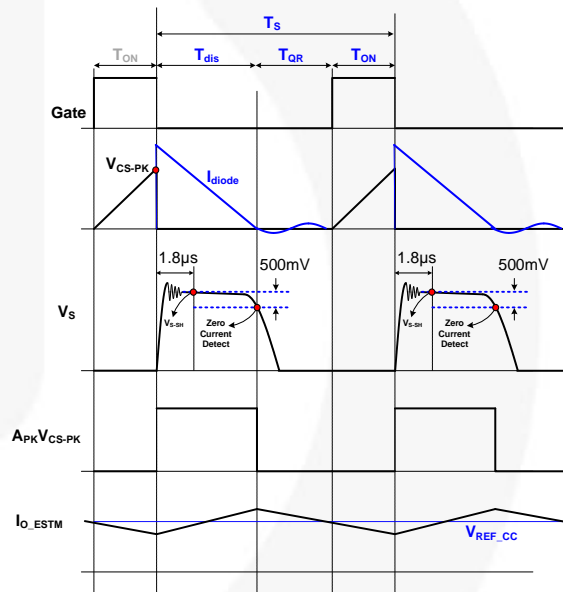


Figure 39. Waveforms for Estimate Output Current

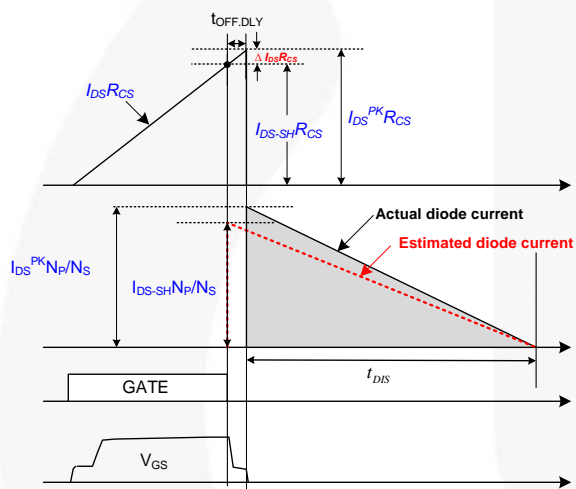
### Line Voltage Compensation

The output current estimation is also affected by the turn-off delay of the MOSFET as illustrated in Figure 40. The actual MOSFET's turn-off time is delayed due to the MOSFET gate charge and gate driver's capability, resulting in peak current detection error as:

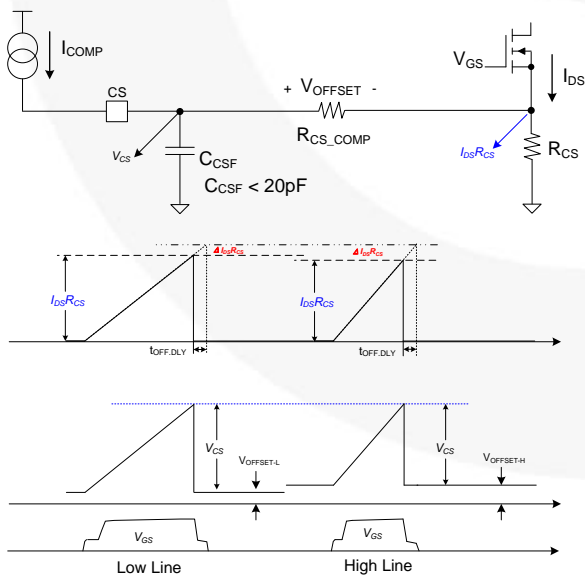
$$\Delta I_{DS}^{PK} = \frac{V_{BLK}}{L_m} \cdot t_{OFF.DLY} \quad (8)$$



Where  $L_m$  is the transformer's primary side magnetizing inductance. Since the output current error is proportional to the line voltage, the FAN602L incorporates line voltage compensation to improve output current estimation accuracy. Line information is obtained through the line voltage detector as shown in Figure 35.  $I_{COMP}$  is an internal current source, which is proportional to line voltage. The line compensation gain is programmed by using CS pin series resistor,  $R_{CS\_COMP}$ , depending on the MOSFET turn-off delay,  $t_{OFF\_DLY}$ .  $I_{COMP}$  creates a voltage drop,  $V_{OFFSET}$ , across  $R_{CS\_COMP}$ . This line compensation offset is proportional to the DC link capacitor voltage,  $V_{BLK}$ , and turn-off delay,  $t_{OFF\_DLY}$ . Figure 41 demonstrates the effect of the line compensation. When PCB layout is poor, it may cause noise on the CS pin. The CS pin needs to be in parallel with the capacitor ( $C_{CSF}$ ) less than 20 pF to filter the noise.



**Figure 40. Effect of MOSFET Turn-off Delay**

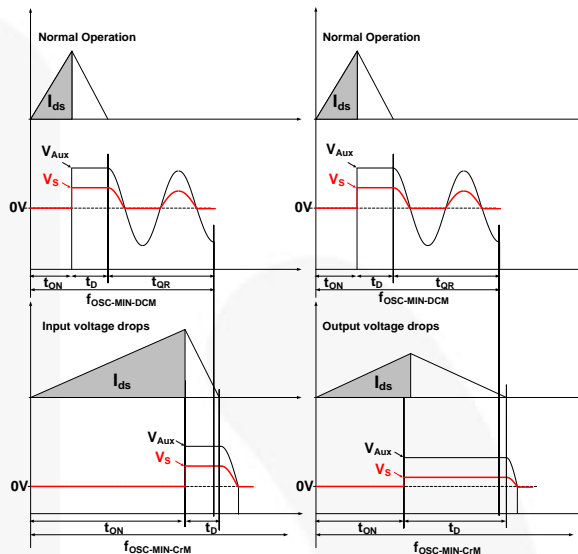


**Figure 41. Line Voltage Compensation**

### CCM Prevention

When input or output voltage drops, the secondary side current does not reduce to zero within  $t_{OSC\_MIN\_DCM}$  (time

period for  $f_{OSC\_MIN\_DCM}$ ). FAN602L does not initiate turn-on. FAN602L turns on the primary MOSFET after  $V_{S\_ZCD}$  and ensures boundary conduction mode switching. Thus FAN602L does not allow the converter to enter CCM. During CCM prevention, FAN602L can reduce the frequency down to  $f_{OSC\_MIN\_CRM}$  (20 kHz). This phenomenon is explained in Figure 42.



**Figure 42. CCM Prevention Behavior**

### HV Startup and Brown-In

Figure 43 shows the high-voltage (HV) startup circuit. An Internal JFET provides a high voltage current source, whose characteristics are shown in Figure 44. To improve reliability and surge immunity, it is typical to use a  $R_{HV}$  resistor between the HV pin and the bulk capacitor voltage. The actual current flowing into the HV pin at a given bulk capacitor voltage and startup resistor value is determined by the intersection point of characteristics I-V line and the load line as shown in Figure 44.

During startup, the internal startup circuit is enabled and the bulk capacitor voltage supplies the current,  $I_{HV}$ , to charge the hold-up capacitor,  $C_{VDD}$ , through  $R_{HV}$ . When the  $V_{DD}$  voltage reaches  $V_{DD\_ON}$ , the sampling circuit shown in Figure 43 is turned on for  $t_{HV\_DET}$  (100  $\mu$ s) to sample the bulk capacitor voltage. Voltage across  $R_{LS}$  is compared with reference which generates a signal to start switching. If brown-in condition is not detected within this time, switching does not start. Equation (9) can be used to program the brown-In of the system. If line voltage is lower than the programmed brown-In voltage, FAN602L goes in auto-restart mode.

$$V_{IN} = \frac{R_{LS} + R_{JEFT} + R_{HV}}{R_{LS}} \times V_{REF} \quad (9)$$

Once switching starts, the internal HV startup circuit is disabled. During normal switching, the line voltage information is obtained from the IVS signal. Once the HV startup circuit is disabled, the energy stored in  $C_{VDD}$  supplies the IC operating current until the transformer auxiliary winding voltage reaches the nominal value. Therefore,  $C_{VDD}$  should be properly designed to prevent  $V_{DD}$  from dropping below  $V_{DD}$ .



OFF threshold (typically 5.5 V) before the auxiliary winding builds up enough voltage to supply VDD. During startup, the IC current is limited to  $I_{DD-ST}$  (300  $\mu$ A).

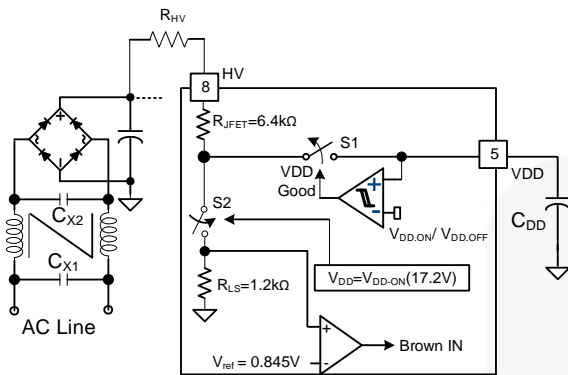


Figure 43. HV Startup Circuit

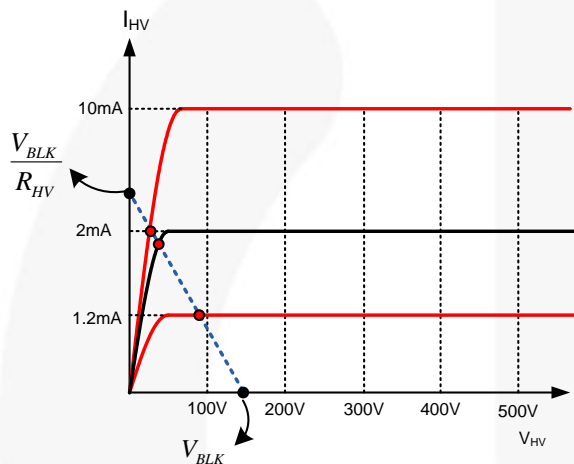


Figure 44. Characteristics of HV pin

### Protections

The FAN602L protection functions include VDD Over-Voltage Protection (VDD-OVP), brownout protection, VS Over-Voltage Protection (VS-OVP), VS Under-Voltage Protection (VS-UVP), and IC internal Over-Temperature Protection (OTP). The VDD-OVP, brownout protection are implemented with Auto-Restart mode. The VS-UVP, VS-OVP and OTP are implemented with Latch-Off mode.

When the Auto-Restart Mode protection is triggered, switching is terminated and the MOSFET remains off, causing VDD to drop because of IC operating current  $I_{DD-OP}$  (2 mA). When VDD drops to the VDD turn-off voltage of  $V_{DD-OFF}$  (5.5 V), operation current reduces to  $I_{DD-Deep-Burst}$  (300  $\mu$ A). When the VDD voltage drops further to  $V_{DD-HV-ON}$ , the protection is reset and the supply current drawn from HV pin begins to charge the VDD hold-up capacitor. When VDD reaches the turn-on voltage of  $V_{DD-ON}$  (17.2 V), FAN602L resumes normal operation. In this manner, the Auto-Restart mode alternately enables and disables the switching of the MOSFET until the abnormal condition is eliminated as shown in Figure 45.

When the Latch-Off mode protection is triggered, PWM switching is terminated and the MOSFET remains off, causing VDD to drop. When VDD voltage drops to VDD

turn-off voltage ( $V_{DD-OFF}$ ), the IC supply current drops to  $I_{DD-Burst}$ . Then, when VDD drops to  $V_{DD-HV-ON}$ , internal startup circuit is enabled without resetting the protection, and the supply current drawn from HV pin charges the hold-up capacitor. Since the protection is not reset, the IC does not resume PWM switching even when VDD reaches the turn-on voltage of 17.2 V. Then, VDD drops again down to  $V_{DD-OFF}$ . In this manner, the Latch-Off mode protection alternately charges and discharges VDD until there is no more energy in DC link capacitor. The protection is reset when VDD drops to  $V_{DD-DLH}$  (2.5 V), which can only happen after the power supply is unplugged from the AC line as shown in Figure 46.

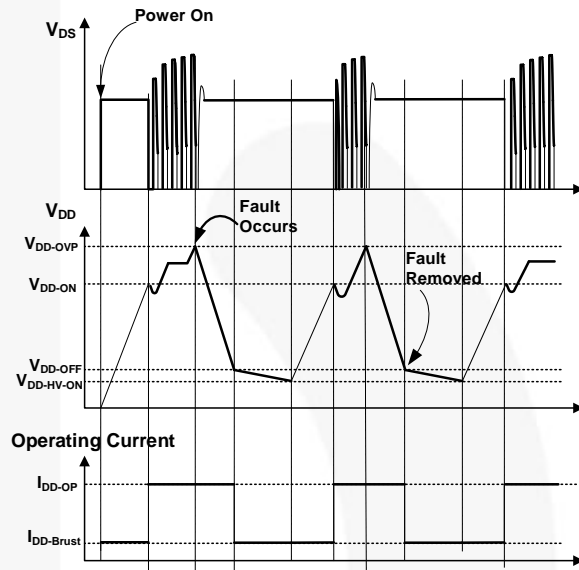


Figure 45. Auto-Restart Mode Operation

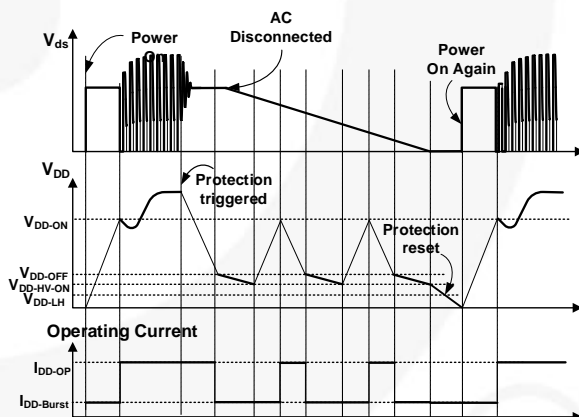


Figure 46. Latch-Off Mode Operation

### VDD Over-Voltage-Protection ( $V_{DD-OVP}$ )

VDD over-voltage protection prevents IC damage from over-voltage stress. It is operated in Auto-Restart mode. When the VDD voltage exceeds  $V_{DD-OVP}$  (29.0 V) for the de-bounce time,  $t_{D-VDDOVP}$  (70  $\mu$ s), due to abnormal condition, the protection is triggered. This protection is typically caused by an open circuit of secondary side feedback network.

### Brownout Protection

Line voltage information is also used for brownout protection. When the  $I_{VS}$  current out of the VS pin during the MOSFET conduction time is less than  $450 \mu\text{A}$  for longer than  $16.5 \text{ ms}$ , the brownout protection is triggered. The input bulk capacitor voltage to trigger brownout protection is given as:

$$V_{BLK.BO} = 450 \mu\text{A} \cdot \frac{R_{VS1}}{N_A/N_P} \quad (10)$$

### IC Internal Over-Temperature-Protection (OTP)

The internal temperature-sensing circuit disables the PWM output if the junction temperature exceeds  $140^\circ\text{C}$  ( $T_{OTP}$ ) and the FAN602L enters Latch-Off mode protection.

### VS Over-Voltage-Protection (VS-OVP)

VS over-voltage protection prevents damage caused by output over-voltage condition. It is operated in Latch-Off mode. Figure 47 shows the internal circuit of VS-OVP protection. When abnormal system conditions occur, which cause VS sampling voltage to exceed  $V_{VS-OVP}$  ( $2.9 \text{ V}$ ) for more than 2 consecutive switching cycles ( $N_{VS-OVP}$ ), PWM pulses are disabled and FAN602L enters Latch-Off protection. VS over-voltage conditions are usually caused by open circuit of the secondary side feedback network or a fault condition in the VS pin voltage divider resistors. For VS pin voltage divider design,  $R_{VS1}$  is obtained from Equation (10), and  $R_{VS2}$  is determined by the desired VS-OVP protection function as:

$$R_{VS2} = R_{VS1} \cdot \frac{1}{\frac{V_{O-OVP}}{V_{VS-OVP}} \cdot \frac{N_A}{N_S} - 1} \quad (11)$$

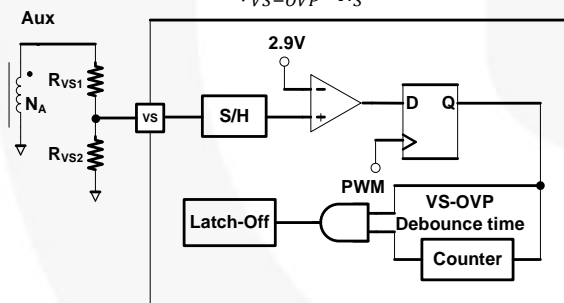


Figure 47. VS-OVP Protection Circuit

### VS Under-Voltage-Protection ( $V_{S-UVP}$ )

In the event of an output short, output voltage will drop and the primary peak current will increase. To prevent operation for a long time in this condition, FAN602L incorporates under-voltage protection through VS pin. Figure 48 shows the internal circuit for  $V_{S-UVP}$ . By sampling the auxiliary winding voltage on the VS pin at the end of diode conduction time, the output voltage is indirectly sensed. When  $V_S$  sampling voltage is less than  $V_{VS-UVP}$  ( $0.65 \text{ V}$ ) and longer than de-bounce cycles  $N_{VS-UVP}$ ,  $V_{S-UVP}$  is triggered and the FAN602L enters Latch-Off Mode.

To avoid  $V_{S-UVP}$  triggering during the startup sequence, a startup blanking time,  $t_{VS-UVP-BLANK}$  ( $45 \text{ ms}$ ), is included for system power on. For VS pin voltage divider design,  $R_{VS1}$  is obtained from Equation (10) and  $R_{VS2}$  is determined by Equation (11).  $V_{O-UVP}$  can be determined by Equation (12).

$$V_{O-UVP} = \frac{N_S}{N_A} \cdot \left(1 + \frac{R_{VS1}}{R_{VS2}}\right) \cdot V_{VS-UVP} \quad (12)$$

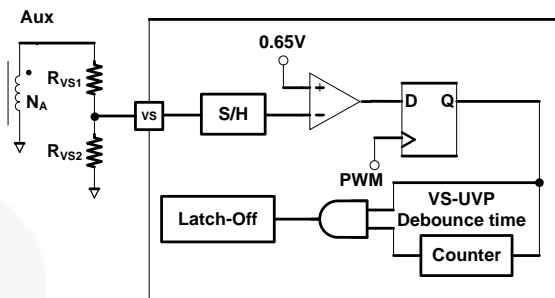


Figure 48. VS-UVP Protection Circuit

### Pulse-by-Pulse Current Limit

During startup or overload condition, the feedback loop is saturated to high and is unable to control the primary peak current. To limit the current during such conditions, FAN602L has pulse-by-pulse current limit protection which forces the GATE to turn off when the CS pin voltage reaches the current limit threshold,  $V_{CS-LIM}$  ( $0.9 \text{ V}$ ).

### Secondary-Side Diode Shot Protection

When the secondary-side diode is damaged, the slope of the primary-side peak current will be sharp within leading-edge blanking time. To limit the current during such conditions, FAN602L has secondary-side diode short protection which forces the GATE to turn off when the CS pin voltage reaches  $1.6 \text{ V}$ . After one switching cycle, it will operate in Auto-Restart mode as shown in Figure 49.

### Current Sense Short Protection

Current sense short protection prevents damage caused by CS pin open or short to ground. After two switching cycle, it will operate in Auto-Restart mode. Figure 49 shows the internal circuit of current sense short protection. When abnormal system conditions occur, which cause CS pin voltage lower than  $0.2 \text{ V}$  after debounce time ( $t_{CS-short}$ ) for more than 2 consecutive switching cycles, PWM pulses are disabled and FAN602L enters Auto-Restart protection. The  $I_{CS-short}$  is an internal current source, which is proportional to line voltage. The debounce time ( $t_{CS-short}$ ) is created by  $I_{CS-short}$ , capacitor ( $2 \text{ pF}$ ) and threshold voltage ( $2.4 \text{ V}$ ). This debounce time ( $t_{CS-short}$ ) is inversely proportional to the DC link capacitor voltage,  $V_{BLK}$ .

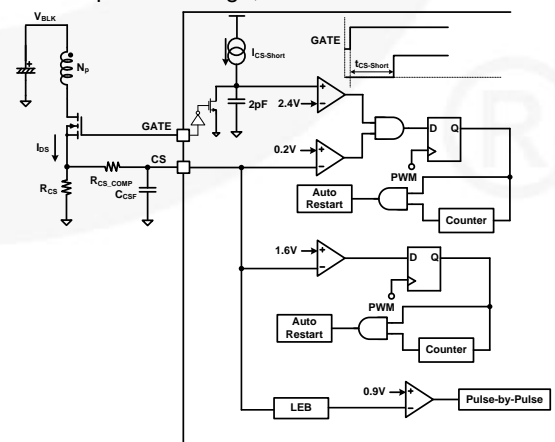
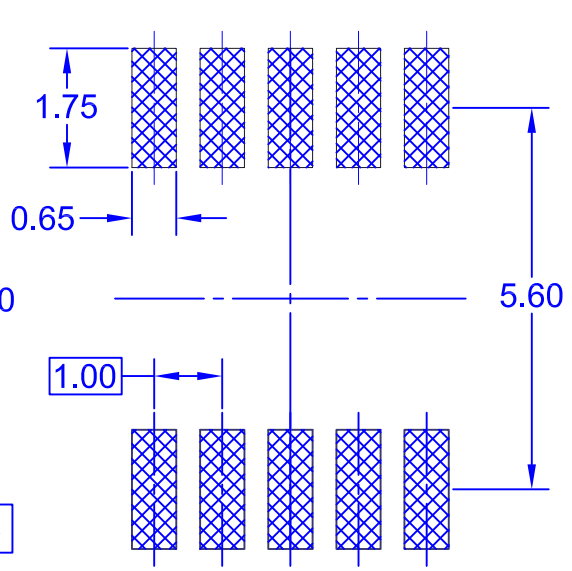
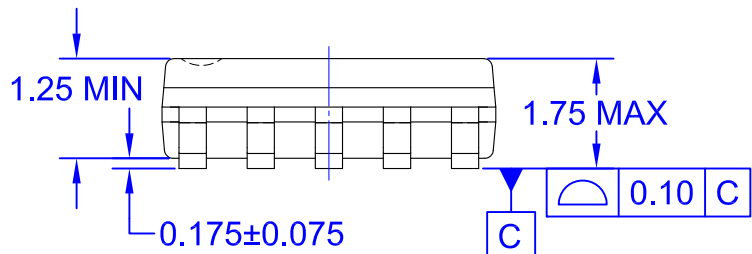


Figure 49. Current Sense Protection Circuit

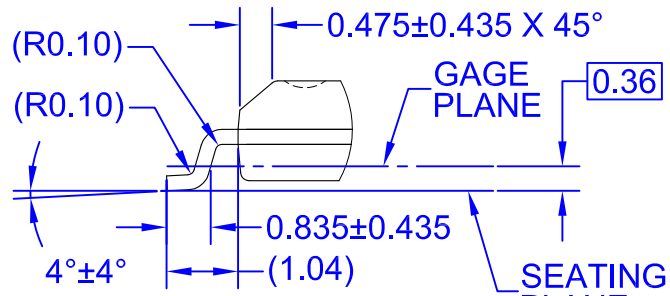


LAND PATTERN RECOMMENDATION

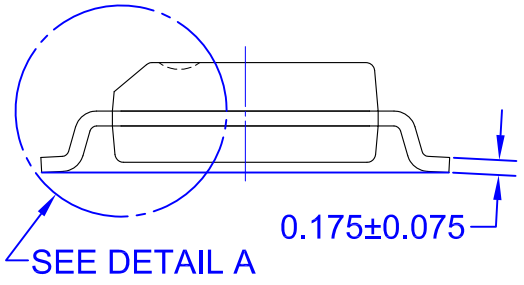
TOP VIEW



SIDE VIEW



DETAIL A



FRONT VIEW

- NOTES:
- A. THIS PACKAGE DOES NOT FULLY CONFORM TO JEDEC REGISTRATION, MS-012.
  - B. ALL DIMENSIONS ARE IN MILLIMETERS.
  - C. DIMENSIONS DO NOT INCLUDE MOLD FLASH OR BURRS.
  - D. LAND PATTERN STANDARD: SOIC127P600X175.10M
  - E. DRAWING FILENAME: MKT-M10ArevB

ON Semiconductor



ON Semiconductor and  are trademarks of Semiconductor Components Industries, LLC dba ON Semiconductor or its subsidiaries in the United States and/or other countries. ON Semiconductor owns the rights to a number of patents, trademarks, copyrights, trade secrets, and other intellectual property. A listing of ON Semiconductor's product/patent coverage may be accessed at [www.onsemi.com/site/pdf/Patent-Marking.pdf](http://www.onsemi.com/site/pdf/Patent-Marking.pdf). ON Semiconductor reserves the right to make changes without further notice to any products herein. ON Semiconductor makes no warranty, representation or guarantee regarding the suitability of its products for any particular purpose, nor does ON Semiconductor assume any liability arising out of the application or use of any product or circuit, and specifically disclaims any and all liability, including without limitation special, consequential or incidental damages. Buyer is responsible for its products and applications using ON Semiconductor products, including compliance with all laws, regulations and safety requirements or standards, regardless of any support or applications information provided by ON Semiconductor. "Typical" parameters which may be provided in ON Semiconductor data sheets and/or specifications can and do vary in different applications and actual performance may vary over time. All operating parameters, including "Typicals" must be validated for each customer application by customer's technical experts. ON Semiconductor does not convey any license under its patent rights nor the rights of others. ON Semiconductor products are not designed, intended, or authorized for use as a critical component in life support systems or any FDA Class 3 medical devices or medical devices with a same or similar classification in a foreign jurisdiction or any devices intended for implantation in the human body. Should Buyer purchase or use ON Semiconductor products for any such unintended or unauthorized application, Buyer shall indemnify and hold ON Semiconductor and its officers, employees, subsidiaries, affiliates, and distributors harmless against all claims, costs, damages, and expenses, and reasonable attorney fees arising out of, directly or indirectly, any claim of personal injury or death associated with such unintended or unauthorized use, even if such claim alleges that ON Semiconductor was negligent regarding the design or manufacture of the part. ON Semiconductor is an Equal Opportunity/Affirmative Action Employer. This literature is subject to all applicable copyright laws and is not for resale in any manner.

## PUBLICATION ORDERING INFORMATION

### LITERATURE FULFILLMENT:

Literature Distribution Center for ON Semiconductor  
19521 E. 32nd Pkwy, Aurora, Colorado 80011 USA  
**Phone:** 303-675-2175 or 800-344-3860 Toll Free USA/Canada  
**Fax:** 303-675-2176 or 800-344-3867 Toll Free USA/Canada  
**Email:** [orderlit@onsemi.com](mailto:orderlit@onsemi.com)

**N. American Technical Support:** 800-282-9855 Toll Free  
USA/Canada  
**Europe, Middle East and Africa Technical Support:**  
Phone: 421 33 790 2910  
**Japan Customer Focus Center**  
Phone: 81-3-5817-1050

**ON Semiconductor Website:** [www.onsemi.com](http://www.onsemi.com)  
**Order Literature:** <http://www.onsemi.com/orderlit>  
For additional information, please contact your local  
Sales Representative

# Mouser Electronics

Authorized Distributor

Click to View Pricing, Inventory, Delivery & Lifecycle Information:

[onsemi:](#)

[FAN602LMX](#)