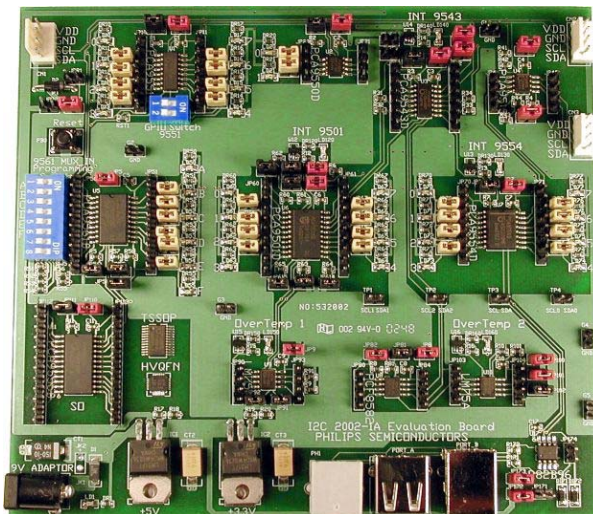


APPLICATION NOTE



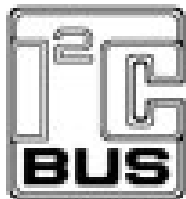
AN10146-02 I2C 2002-1A EVALUATION BOARD

**LM75A, PCA9501, PCA9515, PCA9543, PCA9550, PCA9551, PCA9554,
PCA9555, PCA9561, PCF8582C-2, P82B96**

Abstract — Philips Semiconductors families of I2C devices are detailed in this application note that discusses evaluation board set up and operation including typical applications.

Jean-Marc Irazabal - PCA Technical Marketing Manager
Steve Blozis - PCA International Product Manager
Phil Tracy - Engineering Manager

Specialty Logic Product Line
Logic Product Group



Philips Semiconductors

26 February, 2003

TABLE OF CONTENTS

OVERVIEW	3
DESCRIPTION.....	3
ORDERING INFORMATION.....	4
I2C COMMUNICATION BASICS	5
I2C 2002-1A KIT INFORMATION.....	7
BLOCK DIAGRAM.....	7
I2C 2002-1A EVALUATION BOARD	8
I2C 2002-1A EVALUATION BOARD	8
I ² C ADDRESSES AND BUSES	8
I2CPORT v2 ADAPTER CARD	9
OPERATIONS INSTRUCTIONS	11
STARTING THE SOFTWARE – QUICK OVERVIEW.....	11
BEFORE STARTING	14
PCA9501	15
PCA9515	18
PCA9543	19
PCA9550/PCA9551	23
PCA9554	27
PCA9555	30
PCA9561	32
PCF8582C-2.....	37
P82B96	39
LM75A	44
FREQUENTLY ASKED QUESTIONS	46
ADDITIONAL INFORMATION	47
APPENDIX 1 - I2C 2002-1A EVALUATION BOARD BILL OF MATERIAL.....	48
APPENDIX 2 - I2C 2002-1A EVALUATION BOARD PICTURE	49

OVERVIEW

Description

The **I2C 2002-1A Evaluation Board** is a low cost I²C based platform that allows Field Application Engineers, designers and educators to use their Personal Computer (PC) to easily test and demonstrate new I²C devices in a platform that allows multiple operations to be performed in a setting similar to a real system environment.



The I2C 2002-1A Evaluation Board Kit includes:

- **I2C 2002-1A Evaluation Board** – 5” x 5” 2 layer printed circuit board featuring 11 different I²C slave devices:
 - LM75A – Temperature Sensor
 - PCA9501 – 8-bit I/O Expander with 2Kbit serial EEPROM, Interrupt and 6 address pins
 - PCA9515 – I²C Repeater
 - PCA9543 – 4 Channel I²C Switch
 - PCA9550 – 2-bit LED Blinker
 - PCA9551 – 8-bit LED Blinker
 - PCA9554 – 8-bit I/O Expander with Interrupt
 - PCA9555 – 16-bit I/O Expander with Interrupt
 - PCA9561 – 6-bit I2C DIP Switch
 - PCF8582C-2 – 2Kbit serial EEPROM
 - P82B96 – I²C Bus Buffer
 - **I2CPORT v2 Adapter Card** - plugs into the PC parallel port of the PC and provides the interface between the PC (bus master) and the I²C bus slaves on the evaluation board at speeds over 100 kHz.
 - **4-wire Connection Cable** - connects the I2CPORT v2 Adapter Card with the I2C 2002-1A Evaluation Board at normal SDA/SCL signal levels.
 - **USB adapter card** – Connects the I2CPORT v2 Adapter Card with the Evaluation Board through an USB cable (cable not included) via the P82B96.
- NOTE: This is not a normal USB connection; the USB cable and USB connectors are used as the means to carry the SCL/SDA signals at the special P82B96 voltage levels.**
- **9 V Power supply** - provides power to the evaluation board devices and LEDs. Operates from 100 to 240 volts at 47 to 66 Hz, AC Edison plug on one side and 9 volt DC mini-plug on the other side.
 - **CD-ROM** – contains operating instructions and Win-I2CNT software
 - **Operating Instructions** – detailed application notes, software operating instructions and set up procedures.

- **Win-I2CNT (32-bit)** - application software that provides the device specific and universal mode graphical interface between the PC and I2CPORT v2 Adapter Card to control the I²C bus slaves featured on the I2C 2002-1A Evaluation Board. Compatible with Windows 95/98/ME/2000/NT and XP operating systems.

The devices used on the evaluation board are representative of the various general purpose I²C product families being introduced by Philips. They were selected for these following reasons:

- **PCA9501** - To show the programming difference between the PCF8574 8-bit GPIO (of which the PCA9501 has the same state machine) and the PCA9554 8-bit GPIO (more complex state machine) and to showcase this new device, that has both the PCF8574 GPIO and PCF8582C-2 2Kbit serial EEPROM contained in the same package, with 6 address pins that allow up to 64 identical devices on the same bus.
- **PCA9561** - To show its use as a 6-bit DIP switch replacement.
- **PCA9543** - To show its use as a 2 channel multiplexer/switch.
- **PCA9554/55** - To show how I/O expanders can be used as LED drivers, how they can be used to provide input and output to the bus master and to show the size comparison of the PCA9555 in three different packages: The large Surface Mount (SOIC - D), the smaller Thin Small Surface Package (TSSOP - PW) and the very small Heat Sink Very Thin Quad Flat Pack No Leads (HVQFN - BS).
- **PCA9550/51** - To show how the LED Blinkers are used to blink LEDs and to show how unused bits can be utilized as general purpose inputs and outputs.
- **PCF8582C-2** - To show 2Kbit EEPROMs and have two identical devices to multiplex with the PCA9543.
- **LM75A** - To show temperature sensors and have two identical devices to multiplex with the PCA9543.
- **PCA9515 and P82B96** - To show that I²C bus expanders allow larger loading on the I²C bus and to be able to connect a second card to the first evaluation board and to show how the P82B96 can be used to send both I²C clock and data signals and power supply over USB cables or telephone wires.

Caution:

1. **The USB connectors are NOT running USB signals; they are just used as a convenient hardware wiring system. NEVER connect to a PC's USB port.**
2. **NEVER connect the telephone wires to your home telephone jack. They are just a convenient hardware wiring system to communicate from one evaluation board to another.**

Some of the experiments and demonstrations that can be performed using the I2C 2002-1A Evaluation Board include:

- **Program and Blink LEDs using the GPIOs and/or the LED Blinker devices**
 - Learn differences in programming and blinking LEDs using the older and newer GPIO and the 2/8-bit LED Blinkers.
 - See the LED Blinker continue to blink LEDs when the I²C bus is disconnected.
- **Command temperature sensors and 2K EEPROMs with same and different addresses through the PCA9543 two channel switch used as a multiplexer and for voltage translation between 3.3 and 5V**
 - Learn how the multiplexer, 2Kbit serial EEPROM and temperature sensor work.
 - See what happens when the master sends commands to devices with the same address at the same time.
 - See the temperature sensor response at different voltage levels.
- **Program the Multiplexed I²C EEPROM as a DIP switch replacement**

Ordering Information

The complete I2C 2002-1A Evaluation Board Kit consists of the:

- I2C 2002-1A Evaluation Board
- I2CPORT v2 Adapter Card for PC parallel port
- 4-wire connector cable
- USB Adapter Card
- 9 V power supply
- CD-ROM with operating instructions and Win-I2CNT software

Purchase the I2C 2002-1A Evaluation Board Kit at www.demoboard.com

I²C COMMUNICATION BASICS

- General Characteristics
The I²C protocol allows data to be transferred between devices using two open-drain (or open-collector) bi-directional lines. One line is the **serial clock (SCL)** and the other is the **serial data (SDA)**. The bus master generates the **Start** conditions, the clock signals on SCL, as well as the **Stop** condition. An **Acknowledge** is transmitted on the bus after each byte is sent over the bus.
- Bit Transfer
Information is transferred on an 8-bit word basis, Most Significant Bit (MSB) first.
 - Device Address + Read/Write bit: specify which device is addressed (7 bits) and what type of operation needs to be performed
 - Control register: The data can sometimes be used by specific chips as an extension of the address (pointer information) or be specific commands that prepare chips for further data bytes.
 - Data.

I²C protocol for information transfer on the I²C bus, carried by the SDA line, specifies:

- Signal level must not change whenever SCL is High
- Level changes only when SCL is Low
- No restriction on the number of bytes sent during the same communication

Start and Stop conditions are special exceptions to these rules.

A Start condition is signaled by a High-Low transition of SDA while SCL is high.

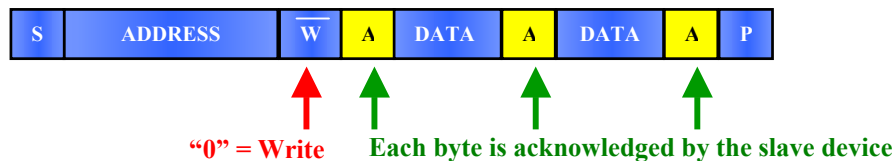
A Stop condition is signaled by a Low-High transition of SDA while SCL is high.

The figures below explain the different types of I²C transfer.

Blue: commands and data sent by the master

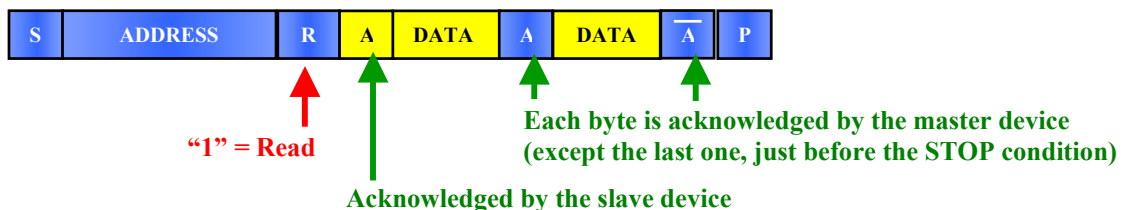
Yellow: data sent by the addressed slave.

1. Write to a Slave device



The master is a **MASTER-TRANSMITTER**: It transmits both Clock and Data during the communication

2. Read from a Slave device

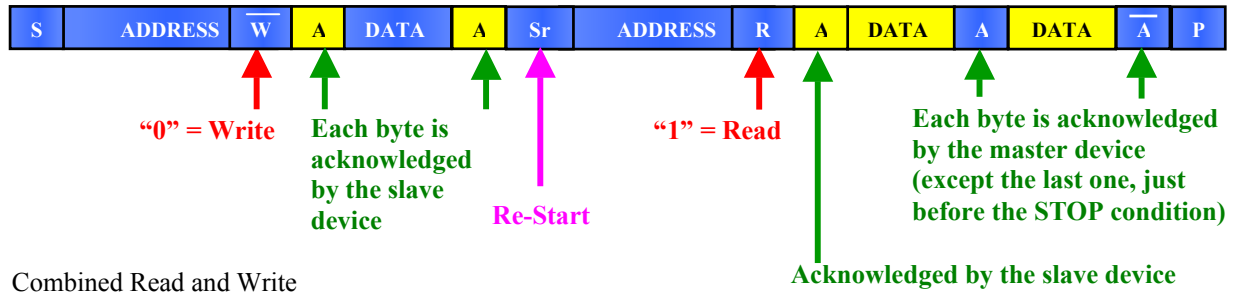


The master is a **MASTER-TRANSMITTER** and then a **MASTER-RECEIVER**:

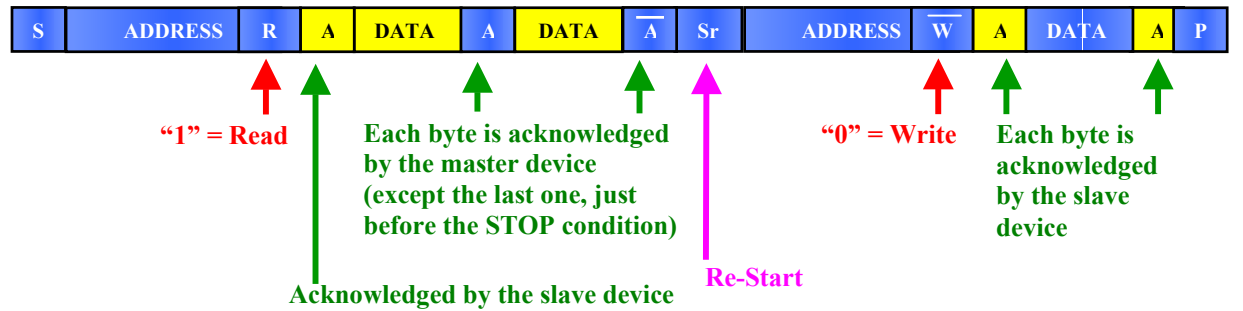
- It transmits the Clock all the time
- It sends the Slave Address data and then becomes a receiver

The address byte is acknowledged by the slave device, and then received data is acknowledged by the master. When the final byte is received the master generates a "not acknowledge," followed by a Stop."

3. Combined Write and Read

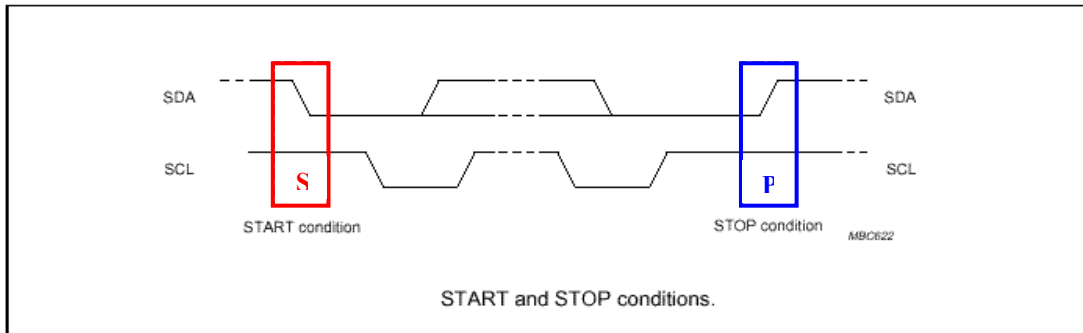


4. Combined Read and Write



• Start and Stop Conditions

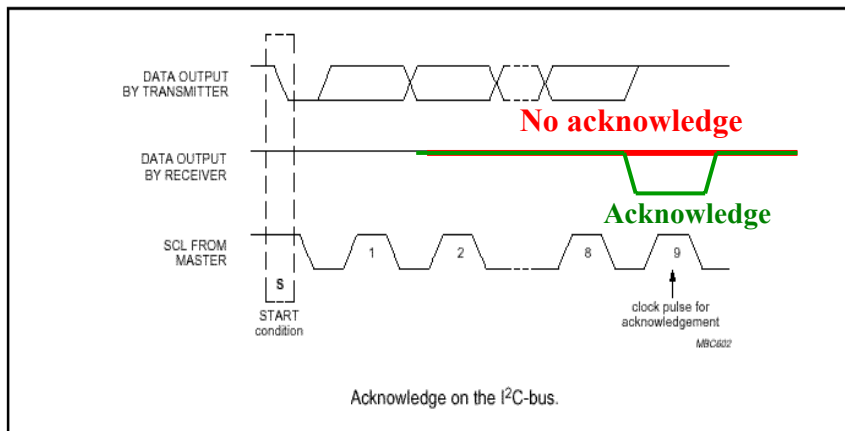
- A Start Condition (S) is a High To Low Transition on SDA line when SCL is High
- A Stop Command (P) is a Low To High Transition on SDA line when SCL is High



• Acknowledge

Acknowledge is done by the receiver (master or slave) on the 9th pulse (on the HIGH period), after each byte has been received.

- The Transmitter releases the bus → SDA line goes High
- The Receiver pulls down the bus → SDA line goes Low



I2C 2002-1A KIT INFORMATION

Block Diagram

I2C 2002-1A Evaluation kit includes the following:

1. I2CPORT v2 Adapter Card
2. Win-I2CNT software (CD-ROM)
3. 9 V Power Supply
4. 4-pin I²C cable
5. I2C 2002-1A Evaluation board
6. USB Adapter Card
7. Operating instructions (CD-ROM)

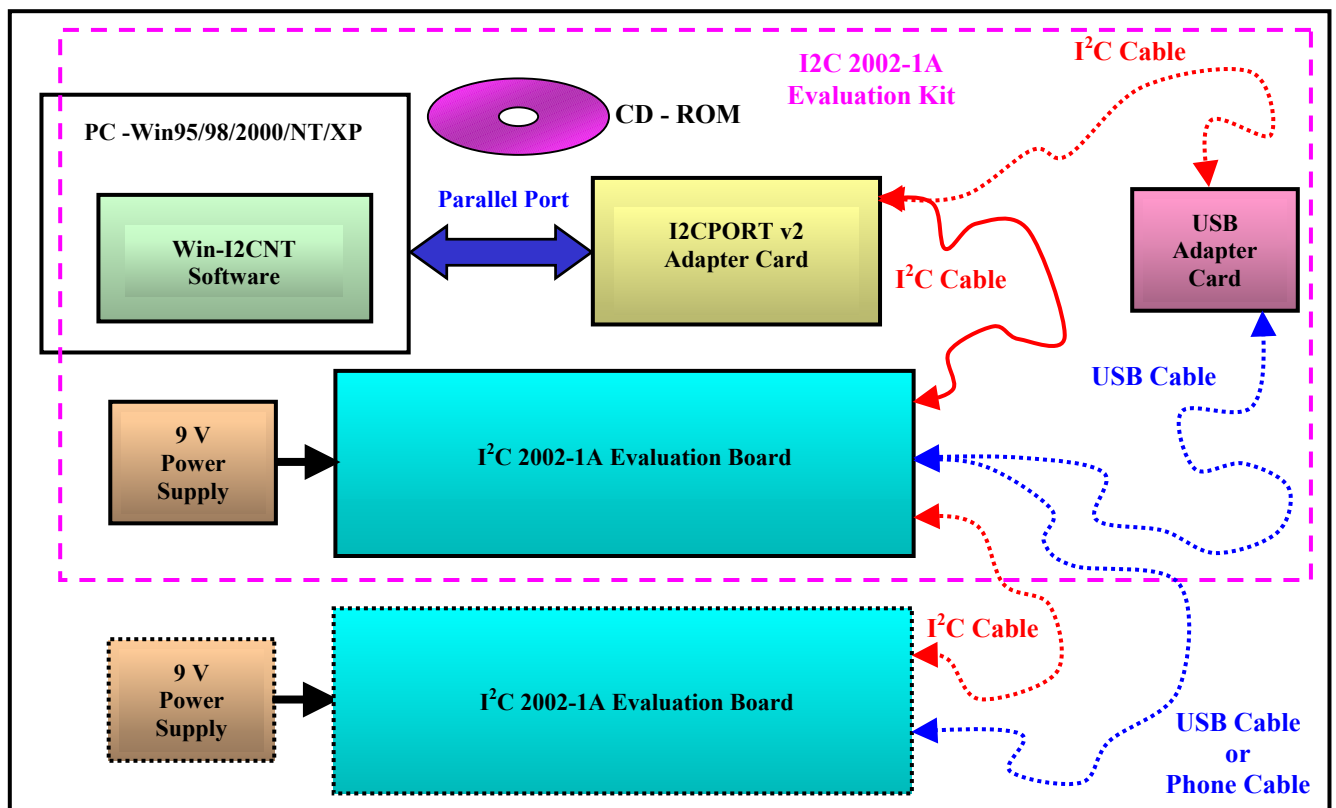


Figure 1. Hardware and Software Schematic

The second evaluation board and power supply is only provided to FAEs.

I2C 2002-1A Evaluation Board

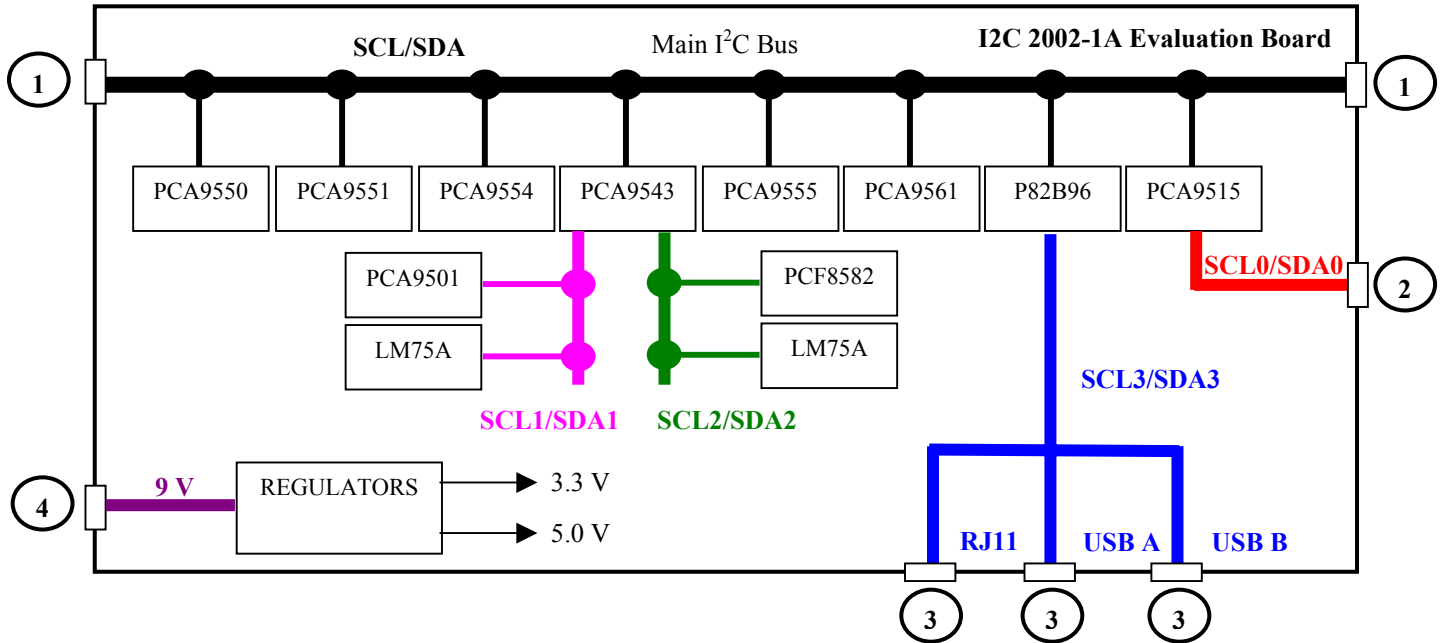


Figure 2. I2C 2002-1A Evaluation board block diagram

6 different types of connections are available on the evaluation board:

1. **I²C 4-wire connector (unbuffered)**. To be connected to the I2CPORT v2 Adapter Card or to another I²C evaluation board.
2. **I²C 4-wire connector (buffered)**. Using a buffered PCA9515 connection, to be connected to the I2CPORT v2 Adapter Card or to another I²C evaluation board.
3. **RJ11 phone line or USB port A or USB port B**. Using a buffered P82B96 connection, to connect to the I2CPORT v2 Adapter Card through the USB Adapter Card or to another I²C evaluation board. It connects via the I²C 4-wire connector to a P82B96 demo board (master) and then via any standard USB cable (not supplied) to the I²C evaluation board. It is also possible to directly link from one I²C evaluation board to another. The RJ11 connector is used to send the I²C signals through a normal 4-core telephone wire. USB port A or B connect the I²C signals through USB cables. All these connectors also allow transfer of the 5.0 V or 9.0 V power supply.

9 V Power Supply. Input via a 3.5 mm mini plug.

I²C Addresses and Buses

Device Type	Description	I ² C Address	I ² C Bus
PCA9501	2 Kbit EEPROM	B0	SCL1/SDA1 (Channel 0 PCA9543)
	8-bit I/O Expander	30	
PCA9543	2 Channel I ² C Multiplexer	E4	SCL/SDA (Main bus)
PCA9550	2-bit LED Blinker	C0	SCL/SDA (Main bus)
PCA9551	8-bit LED Blinker	CC	SCL/SDA (Main bus)
PCA9554	8-bit I/O Expander	40	SCL/SDA (Main bus)
PCA9555	16-bit I/O Expander	4C	SCL/SDA (Main bus)
PCA9561	6-bit I ² C DIP Switch	98	SCL/SDA (Main bus)
PCF8582C-2	2 Kbit EEPROM	A0	SCL2/SDA2 (Channel 1 PCA9543)
LM75A – 1	Temperature Sensor	90	SCL1/SDA1 (Channel 0 PCA9543)
LM75A – 2	Temperature Sensor	92	SCL2/SDA2 (Channel 1 PCA9543)
PCA9515	I ² C Repeater	None	SCL/SDA ↔ SCL0/SDA0
P82B96	Bi-Directional I ² C Bus Buffer	None	SCL/SDA ↔ SCL3/SDA3

Table 1. Device addresses and buses

I2CPORT v2 Adapter Card

The I2CPORT v2 Adapter Card connects to the standard DB-25 parallel port found on IBM-compatible PCs and provides bi-directional communication with I²C devices via the I²C protocol. The adapter card can be powered from the PC's parallel port or externally powered from the I²C target card to support 3.3 V and 5.0 V applications. The LED indicates the presence of power (steady) and activity on the I²C data line (blinking or dimming, depending on the selected bus speed).

The I2CPORT v2 Adapter Card can be used stand-alone, since it obtains 5 V power from the PC parallel port. This allows the on-board I²C 256-byte EEPROM to be programmed and verified without the need for an external power source. When the I2CPORT v2 Adapter Card is connected to other I²C target systems, then 5 V power should be supplied from the target to the Adapter Card via one of the three 4-pin headers on the Adapter.

Caution: All three of the 4-pin headers are pinned differently!

The LED will indicate a proper power connection and activity of the SDA line. You may not see the LED blink depending upon the bus speed selected. It should be noted that if you are deriving power from the computer's parallel port, the LED might not turn on until the software is started.

The I²C-bus voltage for the target system is determined by the setting of JP2:

Open = 3.3 V I²C; Closed = 5 V I²C.

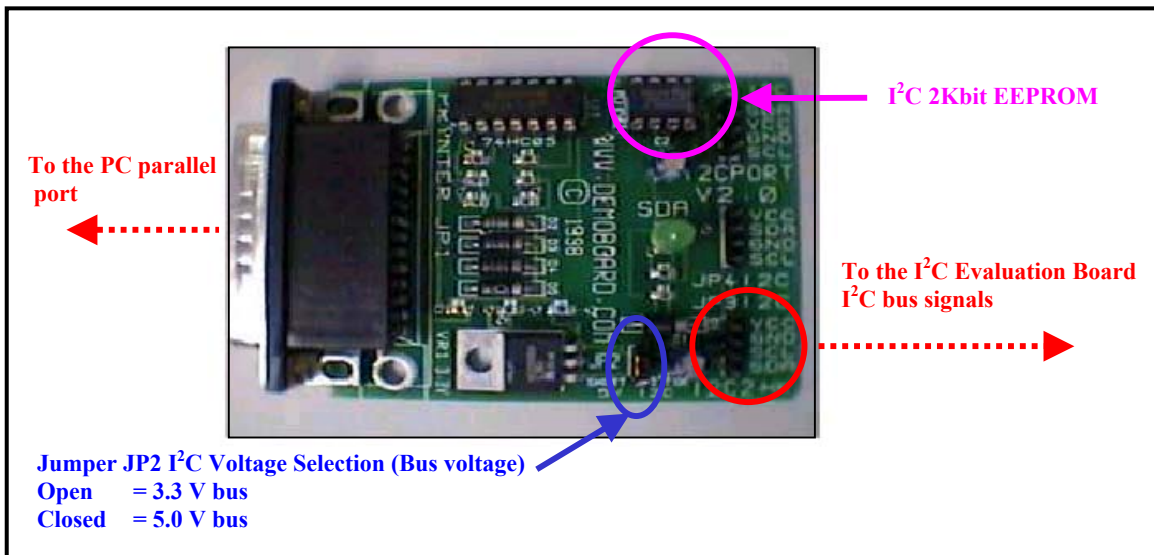


Figure 3. I2CPORT v2 Adapter Card

- Jumpers
When connecting the I2CPORT v2 Adapter Card to an I²C target, the target system supplies 5 V power via one of the three 4-pin I²C headers. Jumper JP2 selects the pull-up voltage for the I²C target and the I2CPORT v2 Adapter Card.

JP2 OPEN	3.3 V I ² C pull-up voltage (through 4.7 k Ω resistors)
JP2 CLOSED	5.0 V I ² C pull-up voltage (through 4.7 k Ω resistors)

In the event your target system only has 3.3 V power available, try closing JP2 and supplying 3.3 V power from the target via the 4-pin header. In this configuration, the on-board regulator is bypassed. I²C bus pull-up resistors to 3.3 V can be added on your target board if the I²C bus pull-up voltage through the adapter card is too low (diode drop through the adapter).

- On-board EEPROM

The on-board 8-pin DIP socket U2 supports I²C communication with the included 256-byte (2 Kbit) EEPROM or other EEPROM devices that allow pin 7 to be floating. The default I²C address for this EEPROM socket is (0xAE), allowing other I²C EEPROM devices sharing this pinout and address, to be accessed. Several supported EEPROM types are listed in the "Device Menu" of the Win-I2CNT software package. This EEPROM allows verification of hardware and software functionality as well as the ability to program EEPROM devices using only the computer and the I2CPORT v2 Adapter Card.

Caution: If an external I²C device is connected to the Adapter Card, which uses this same I²C address (0xAE), the EEPROM in socket U2 should be removed to avoid address conflicts.

- I²C Connectors

The I2CPORT v2 Adapter Card includes three four-pin headers for connecting I²C to external devices or target systems; these are pinned differently to allow compatibility with legacy I²C connections in existing evaluation boards and development systems from Philips and other suppliers.

Caution:

- 1. Use extreme care to use the correct pin configuration, as all three are different! Inadvertent power/ground reversal may damage the Adapter and/or your target system.**
- 2. Note that the connector referenced JP3 must be used to communicate with the I2C 2002-1A evaluation board. Pinout is as following (from top to bottom): V_{cc}, GND, SCL, SDA.**

When an external I²C peripheral is connected to the I2CPORT v2 Adapter Card, the 5 V power should be supplied by the target board or an external power supply through the four-pin header connectors on the adapter. In this configuration, Schottky steering diodes prevent interference between external 5 V supply and the power supplied to the adapter by the computer's parallel port. A 3 V power source may also work if the jumper JP2 on the Adapter Card is closed (see Jumper Settings above).

Note: the LED may indicate power to the Win-I2CNT Adapter even though the connected I²C target board is unpowered, (power is also supplied by the parallel port when the PC is active).

OPERATIONS INSTRUCTIONS

Starting the Software – Quick Overview

Starting the program will open the main window.

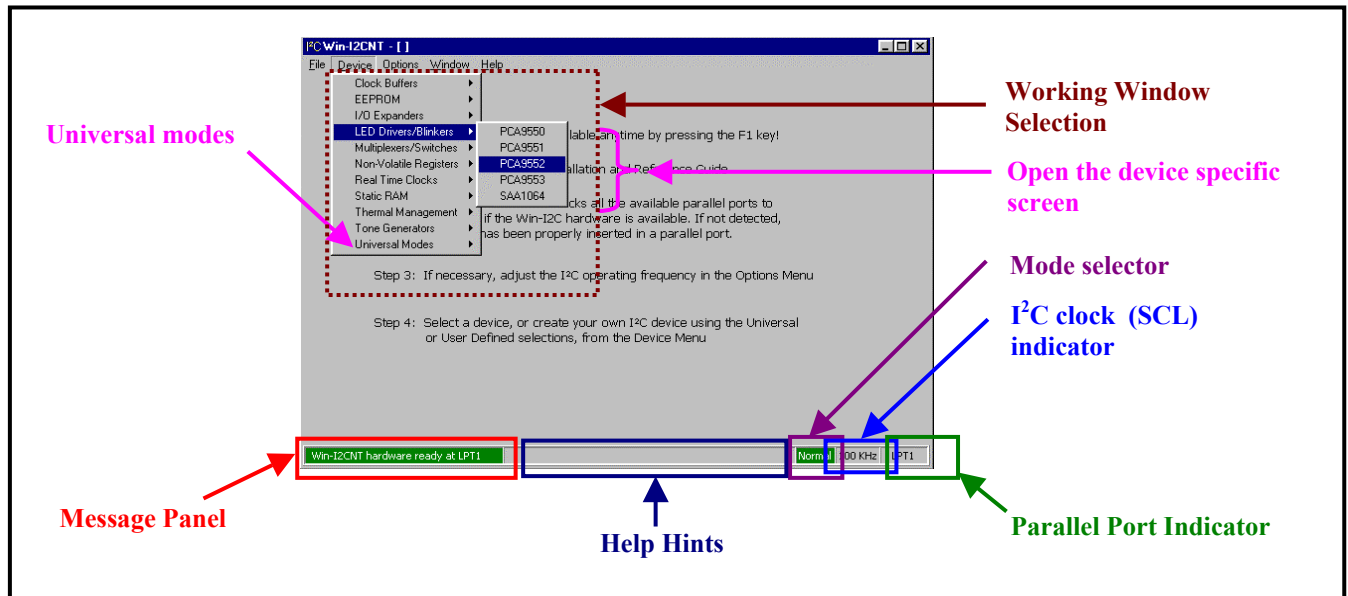


Figure 4. Software Main Window

All the information can be found in the software's user manual available on the CD-ROM.

- Message Panel:
 1. When opening the software: indicates that the port adapter has been found and that I²C communications can start. If a problem is detected when opening the software, the message "Win-I2C hardware not detected" is displayed → Action required: check port adapter
 2. During I²C communications: indicates whether the communication has been done properly or a problem has been detected.

List of the messages available in the panel:

- **Transmission successful** - the last I²C transmission was successfully completed.
- **Address not acknowledged** - an I²C address was successfully transmitted but no slave device acknowledged the address. A STOP condition is sent after the acknowledge clock pulse if no acknowledge is received.
- **Data not acknowledged** - an I²C address was previously acknowledged but one of the following data bytes was not acknowledged. A STOP condition is sent after the acknowledge clock pulse if no acknowledge is received.
- **Read acknowledged corrupted** - the master tried to send a NACK (no acknowledge) for the last read byte in a transmission, but it was corrupted by a low level on SDA by another device on the bus.
- **SDA stuck low** - before a START condition is initiated, the software verifies that both the SDA and SCL lines are high. If SDA is stuck low, then an SDA stuck low message will be displayed.
- **SCL stuck low** - before a START condition is initiated, the software verifies that both the SDA and SCL lines are high. If SCL is stuck low, then an SCL stuck low message will be displayed.
- **Win-I2CNT hardware not detected** - when the Win-I2CNT software is first started, it verifies that the Win-I2CNT hardware exists at LPT1. If it is not found at LPT1, it will check LPT2, and then LPT3. Detection is terminated when Win-I2CNT hardware is found. The user may manually select a different port from the one selected by the program but Win-I2CNT will again verify that hardware is available at the selected parallel port. The software will not attempt to proceed with any transmissions until the hardware has been detected. Auto-write settings are cleared to Auto Write Off.

- **I²C Frequency Indicator:**
Indicates the current clock frequency used during the transmissions. Accessing the **Options** menu can change this value.

Options → I²C Frequency will open a window allowing a new clock frequency to be programmed. Note that the frequency information will be stored in the Registry and will be recalled when the program restarts at a later time. Maximum available clock frequency is PC dependent. Bit rates up to 70 kHz can be expected on a 66 MHz 486 class computer and possibly over 100 kHz with a Pentium class computer. However, many factors influence the maximum bit rate and results may vary significantly.
- **Mode Indicator:**
The Mode Indicator shows the present state of the parallel port kernel-mode driver. ‘Normal’ access provides higher performance access to the parallel port, but may fail if the port is already in use by another kernel-mode driver. While slower, ‘Slow’ access provides more reliable access to ports that have already been opened by another kernel-mode driver. If the driver fails while in ‘Normal’ access mode, a ‘Privileged Instruction’ error may be encountered and it is recommended to keep the driver in ‘Slow’ mode on that computer. Mode change is done through the **Options** menu.
Options → ✓ Normal access Normal Mode selected
Options → Normal access Slow Mode selected
- **Help Hints:**
The main screen contains a panel at the bottom that gives a short description of the item the cursor is currently above. Almost all buttons, boxes, and other controls have these hints when moving the cursor around the screen with the mouse.
- **Parallel Port Indicator:**
The main screen has an area in the bottom right hand part of the screen that shows the active parallel port. This port can be changed by selecting a different port from the Options menu. This box is empty if no hardware has been found.
- **Working screen (Device Specific, Universal Transmitter/receiver and User Definable) can be selected under the Devices menu.**
 1. **Device Specific menu.**
Devices supported by Win-I2CNT are listed below.
Cells in Yellow represent devices mounted on the I2C 2002-1A Evaluation board.

DEVICE CATEGORY	DEVICE NAME	
Clock Buffers	PCK2001	
	PCK2001M	
Real Time Clocks	PCF8583	
	PCF8593	
EEPROM	16x8	128 bit
	128x8	1K
	256x8	2K
	512x8	4K
	1Kx8	8K
	2Kx8	16K
	4Kx8	32K
	8Kx8	64K
	16Kx8	128K
	32Kx8	256K
	64Kx8	512K

DEVICE CATEGORY	DEVICE NAME
I/O Expanders	PCA9554
	PCA9554A
	PCA9555
	PCA9556
	PCA9557
	PCA9558
	PCF8574
	PCF8574A
	PCF8575
	PCA9500
PCA9501	
LED Drivers/Blinkers	PCA9550
	PCA9551
	PCA9552
	PCA9553
	SAA1064
Multiplexers/Switches	PCA9540
	PCA9542
	PCA9543
	PCA9544
	PCA9545
	PCA9546
	PCA9548
DIP Switch	PCA8550
	PCA9559
	PCA9560
	PCA9561
Static RAM	PCF8570
Tone Generator	PCD3311/PCD3312
Thermal Management	LM75A
	NE1617A
	NE1618
	NE1619

2. Universal Transmitter/Receiver Menu (Under Devices → Universal Modes)
 This screen allows writing up to 5 different fully programmable messages.

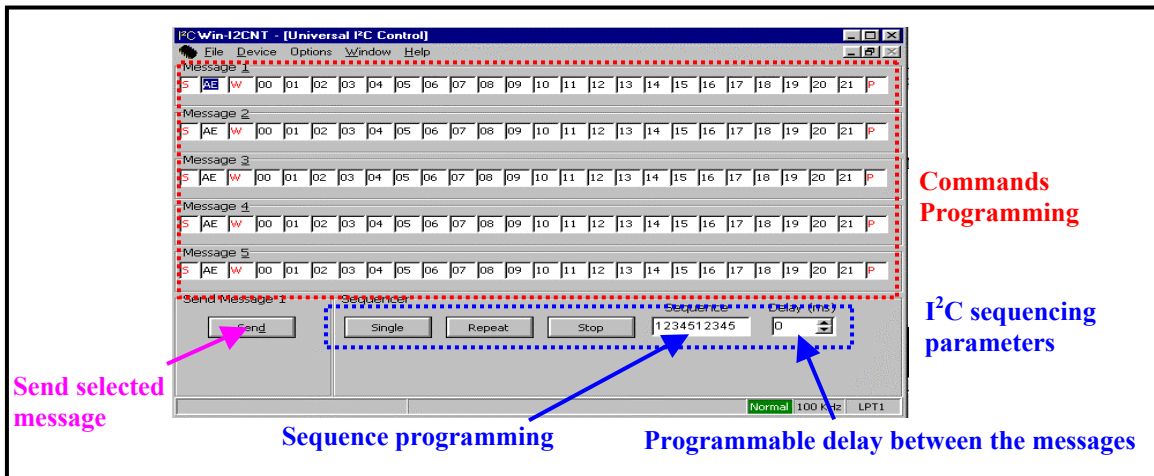


Figure 5. Universal Transceiver / Receiver Window

Characteristics and tips for the Universal Transmitter/Receiver screen:

- Length of the messages is variable but limited to 16 data instructions maximum
- 5 different messages can be programmed
- First START and STOP instructions can not be removed
- I²C Re-Start Command → “S” key
- A restart condition may be inserted into any Message location by pressing the “S” key on your keyboard. The software deletes the boxes after the repeated start condition and then inserts 'S 00 W FF'. Only one Restart per message is allowed.
- I²C Write Command → “W” key
This may be changed to a Read condition by pressing the ‘R’ key.
- I²C Read Command → “R” key
This may be changed to a Write condition by pressing the ‘W’ key.
- Add an Instruction → “INSERT” key
Pressing this key adds an extra edit box to the Message. The maximum number of data bytes is 16, so the **INSERT** key will be ignored if there are already 16 bytes present.
- Remove an Instruction → “DELETE” key
Pressing this key deletes the data byte where the cursor is current located. The software requires that you keep at least one data byte in the Message. It will also not let you delete the address byte or R/W bit following a restart. If you want to delete a restart, make sure the cursor is in the Start box and then press the **DELETE** key.
- Data: **0** to **9** and **A** to **F** keys. Others keys are not allowed

3. User Definable Device (Under Devices → Universal Modes)

The User Definable Device allows defining a customized I²C device and then enables the user to change the values of the individual cells within the grid using various controls such as sliders and spin controls. Additional information can be found in the software’s user manual.

• Acknowledge:

Normally, the software checks the acknowledge bit, after every byte written, to ensure that the slave-receiver has pulled the SDA line low. When the Ignore Acknowledge item is checked in the Options menu, the software ignores the acknowledge bit state during writes, so it is important to note that the user will not have any feedback whether or not a device is actually receiving the message.

Options → Ignore Acknowledge Acknowledge cycle is ignored

Options → Ignore Acknowledge Acknowledge is performed

Before Starting

When the buffer chip P82B96 is active on the main I²C bus (SDA/SCL), it repeats the bus signals onto the buffered bus at the USB and phone connectors. Propagation delays in the chip mean that when the SDA/SCL lines are released, they cannot fully rise until after the buffered bus rises. So propagation delays in P82B96 cause the 300 ns “step” observed in the bus rise time waveforms. This step will lengthen when long cables are plugged into the buffered bus connectors. If these effects disturb any oscilloscope measurements, they may be eliminated by simply removing power to the P82B96 so it has no effect on the main bus: simply remove JP173, or both jumpers JP171 and JP172 to eliminate the steps in the waveforms.

PCA9501

- Software
Device → I/O Expanders → PCA9501

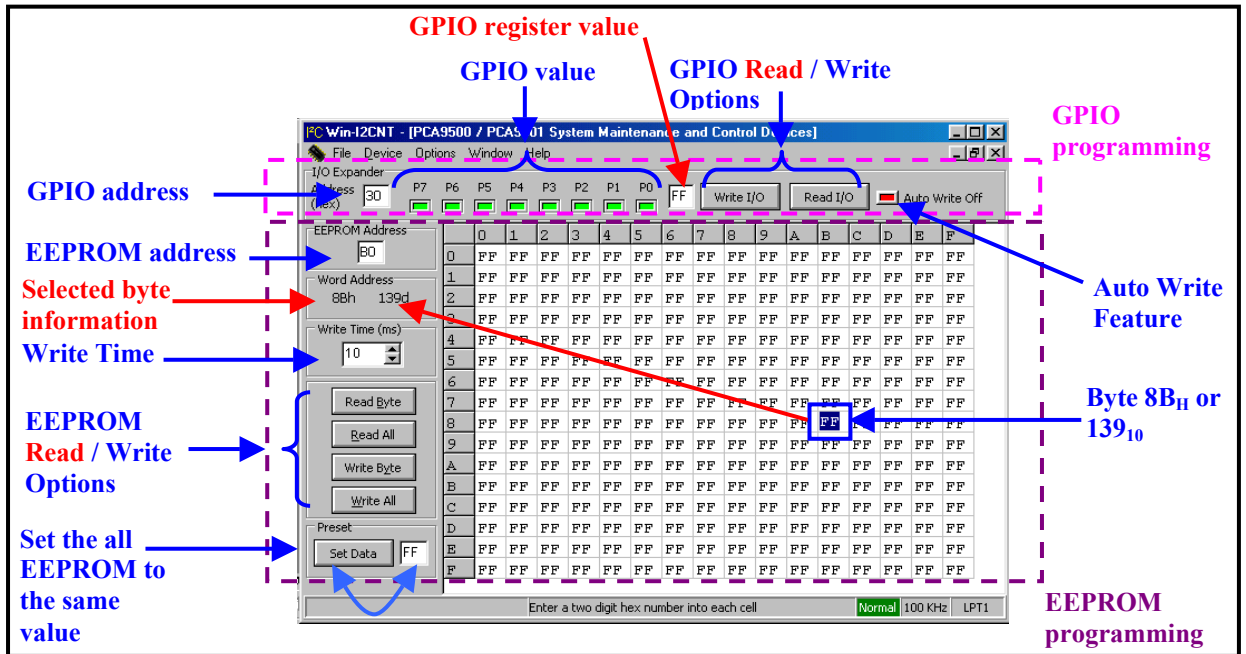


Figure 6. PCA9501 Control Window

Blue: accessible to programming
Red: status information

- Hardware

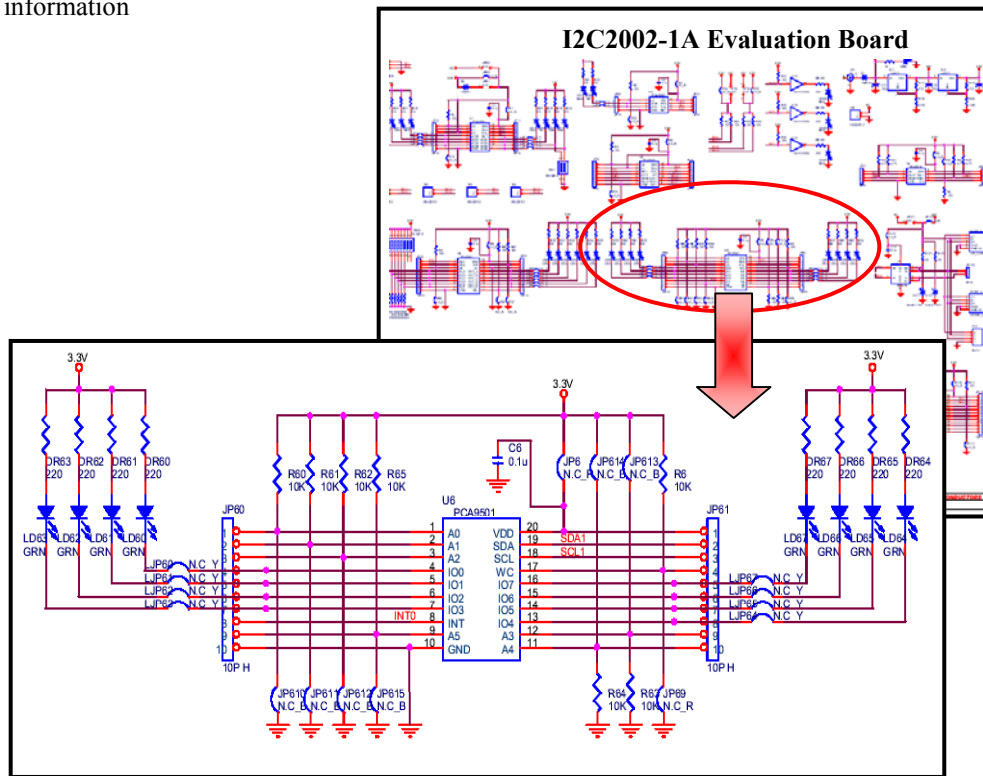


Figure 7. PCA9501 Schematic

- External Components
 - LD60 to LD67: Used to visualize I/O signals
 - Jumpers and Headers:

JP6	Used to measure the current flowing through V_{DD} . Must be CLOSED under other conditions (no measurement)	
JP60 and JP61	Headers to monitor the pins of the PCA9501	
JP69	Used to program the /WC pin (Write Control)	
	JP69 CLOSED	Write to the EEPROM allowed
	JP69 OPEN	Write to the EEPROM not allowed
JP610 to 615	Used to control the 6 programmable address pins	
	JP610, JP611, JP612 or 615 CLOSED	A0, A1, A2 or A5 is connected to GND (Low logic Level)
	JP610, JP611, JP612 or 615 OPEN	A0, A1, A2 or A5 is connected to V_{DD} (High logic Level)
	JP613 or 614 CLOSED	A3 or A4 is connected to V_{DD} (High logic Level)
	JP613 or 614 OPEN	A3 or A4 is connected to GND (Low logic Level)
LJP60 to LJP67	Used to disconnect the default output stage (LED + Resistor) in order to connect an external hardware	
	LJP6x CLOSED	LD6x and DR6x connected to IOx
	LJP6x OPEN	LD6x and DR6x disconnected from IOx

- Default I²C address
 Note: I²C address can be modified by changing the voltage values on pins A0 to A5 (JP610 to JP615) with:
 - $A_x = 1$ when JP61x is open
 - $A_x = 0$ when JP61x is closed

	Binary	Hexadecimal
PCA9501 GPIOs (U6)	0011000	30
PCA9501 EEPROM (U6)	1011000	B0

- How to program the PCA9501's GPIOs
Important note before starting experiments on the PCA9501:
The device is not on the main I²C bus (bus from the Adapter Card) but on PCA9543's downstream channel 0. To access the PCA9501, PCA9543 must be configured with its upstream channel connected to Channel 0. For more information about how to program the PCA9543, please refer to the section "PCA9543", paragraph "How to access the downstream devices".
 - Program the device I²C address in the I/O expander address box (Hexadecimal value). Verify that the software I²C address and the device I²C address are the same (jumpers JP610 to JP615)
 - Check (Light Green) ("1") or uncheck (Dark Green) ("0") the I/O boxes
 - "Write" pushbutton to force the I/Os
 - "Read" pushbutton to read the I/O state
 - "Auto Write" option: when the option is ON (Green), an I²C command is performed each time a change happens in the device control window

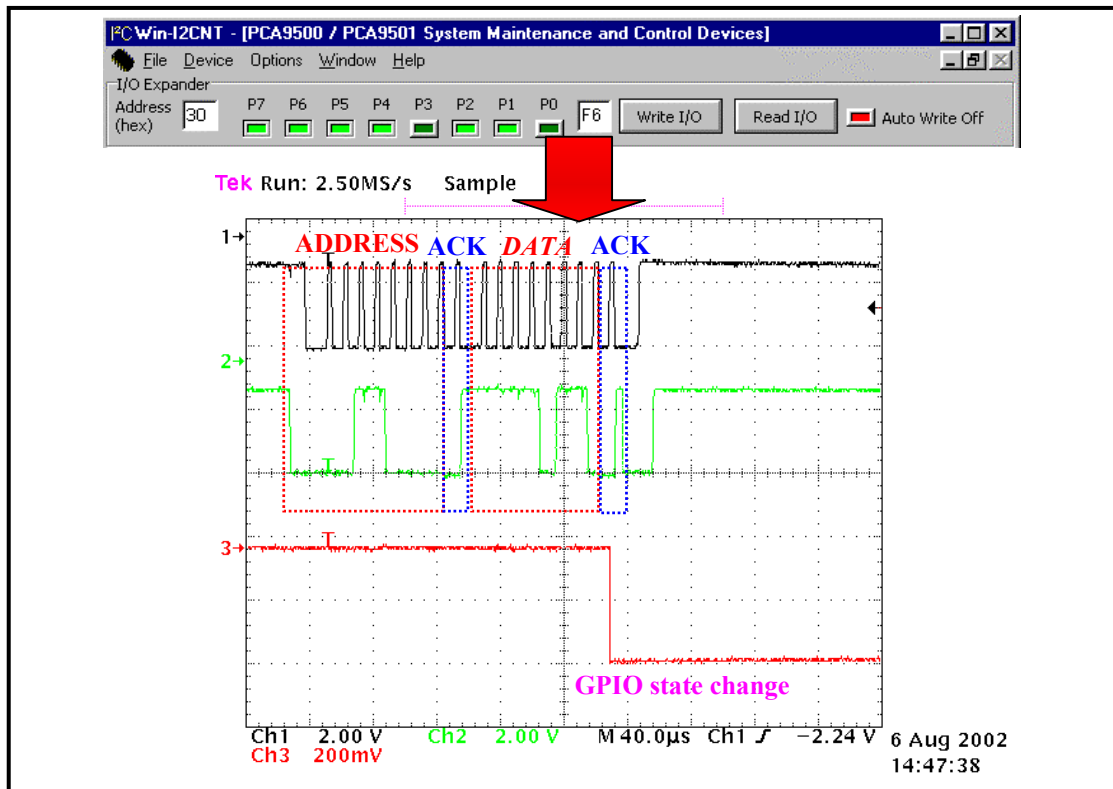


Figure 8. PCA9501's GPIO programming

- How to program the PCA9501's EEPROM
Important note before starting experiments on the PCA9501:
The device is not in the main I²C bus (bus from the port adapter) but on PCA9543's downstream channel 0. To access the PCA9501, PCA9543 must be configured with its upstream channel connected to Channel 0. For more information about how to program the PCA9543, please refer to the section "PCA9543", paragraph "How to access the downstream devices".

The table shows the 256 bytes that can be programmed. Two one-digit hexadecimal numbers H_1H_0 with H_1 being the line number and H_0 being the column number that define each byte.
 Example: Byte 6E is located at the intersection of line 6 with column E.

1. Program the device I²C address in the EEPROM address box (Hexadecimal value). Verify that the software I²C address and the device I²C address are the same (jumpers JP610 to JP615)
2. Verify that EEPROM writing is allowed. Pin WC must be connected to Logic Level Low. This is performed by closing the jumper JP69.
3. Write Operation (once WC is at Logic Level Low):
 The EEPROM can be programmed:
 - Byte after byte ("Write Byte" pushbutton): The byte where the cursor is will be programmed.
 - Entirely in one automatic sequence ("Write All" pushbutton)
4. Read Operation:
 The EEPROM can be read:
 - Byte after byte ("Read Byte" pushbutton) : The byte where the cursor is will be read.
 - Entirely in one automatic sequence ("Read All" pushbutton): The byte where the cursor is will be read.
5. Write Time feature: define the waiting time between 2 write accesses (8-byte write operation) in order to let the EEPROM perform its E/W cycle. Use the Up and Down arrows to change the value.
6. Preset feature: Program all the EEPROM bytes with the same value (value in the box) when "Set Data" button is pushed

PCA9515

- Software
Since the PCA9515 is a bus repeater, it doesn't have an I²C address and therefore doesn't have any software controlling it.
- Hardware

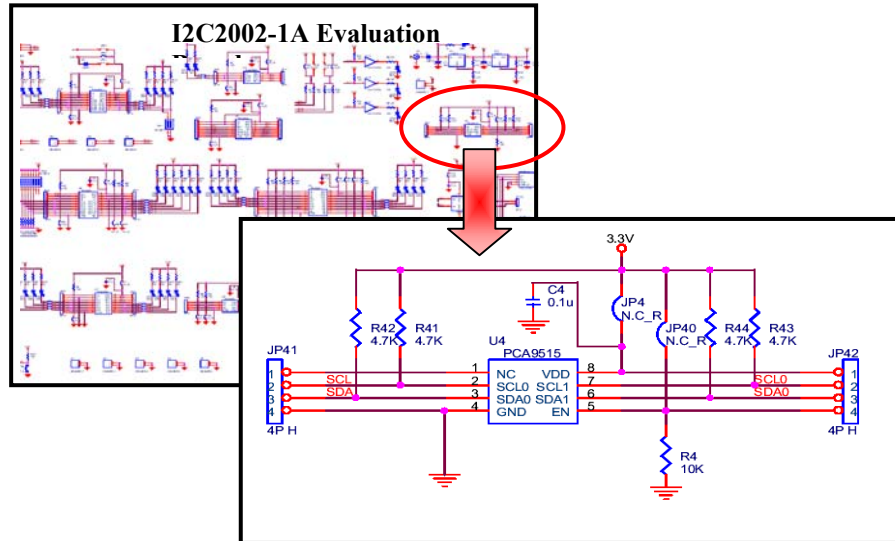


Figure 9. PCA9515 Schematic

- External Components
 1. Jumpers and Headers:

JP4	Used to measure the current flowing through V _{DD} Must be CLOSED under other conditions (no measurement)	
JP40	Used to control the EN (Enable) pin	
	JP40 CLOSED	PCA9515 is enabled
	JP40 OPEN	PCA9515 is disabled
JP41 and JP42	Headers to monitor the pins of the PCA9515	

- Application example
PCA9515 (U4) can be used to interface with another card (e.g. second I²C 2002-1AEvaluation board) in order to keep the main I²C bus load identical in the 2 cards. Check that JP40 in Board 1 is closed for such application.

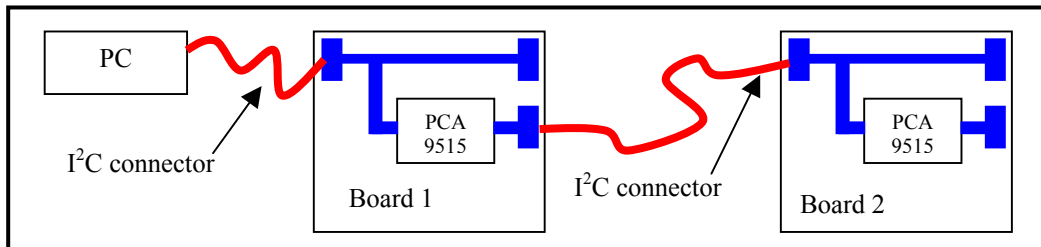


Figure 9. PCA9515 Application Example

Caution:

1. P82B96 cannot drive the PCA9515. So it is not possible to exercise the PCA9515 buffered output header (SCL0/SDA0) when the P82B96 is generating the main bus signals, for example when phone wire or USB connections (SCL3/SDA3). P82B96 in series with PCA9515 is not allowed.
2. Don't link PCA915 output bus SDA0/SCL0 to the corresponding SDA0/SCL0 header of PCA915 on a second board. Be sure to make this connection to SDA/SCL on the second board as shown in Fig. 9.

PCA9543

- Software
Device → Multiplexers/Switches → PCA9543

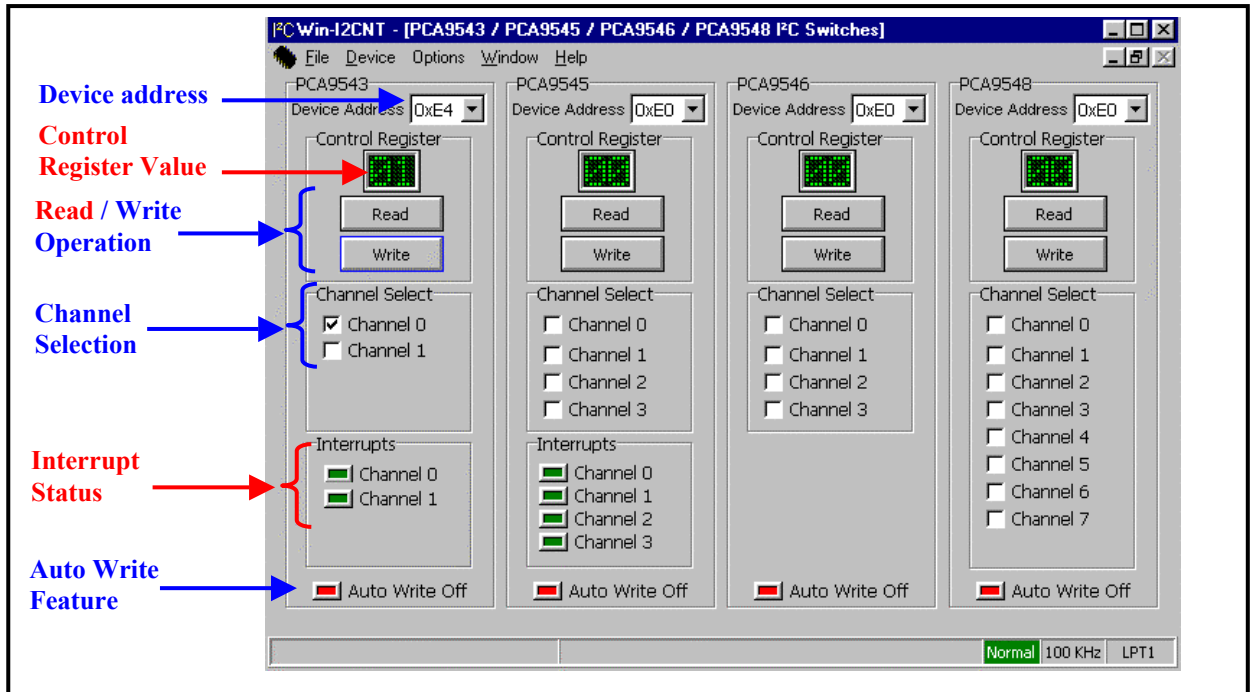


Figure 10. PCA9543 Control Window

Blue: accessible to programming
Red: status information

- Hardware

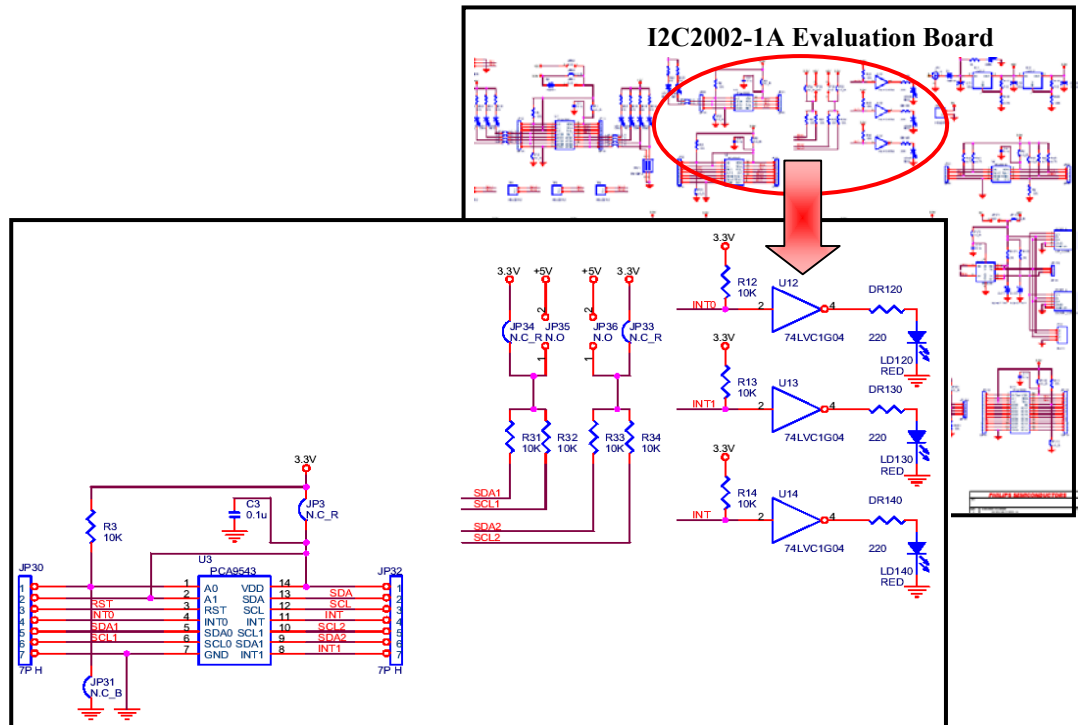


Figure 11. PCA9543 Schematic

- External Components
 - Jumpers and Headers:

JP3	Used to measure the current flowing through V_{DD} Must be CLOSED under other conditions (no measurement)	
JP30 and JP32	Headers to monitor the pins of the PCA9543 (except V_{DD} and GND)	
JP31	Used to control the programmable address pin A0	
	JP31 CLOSED	A0 is connected to GND (Low logic Level)
	JP31 OPEN	A0 is connected to V_{DD} (High logic Level)
JP33 and JP36	Used to Control the pull-up voltage value on SDA2/SCL2 Caution: JP33 and JP36 MUST NOT to be CLOSED at the same time	
	JP33 CLOSED AND JP36 OPEN	SDA2/SCL2 at 3.3 V
	JP33 OPEN AND JP36 CLOSED	SDA2/SCL2 at 5.0 V
JP34 and JP35	Used to Control the pull-up voltage value on SDA1/SCL1 Caution: JP34 and JP35 MUST NOT to be CLOSED at the same time	
	JP34 CLOSED AND JP35 OPEN	SDA1/SCL1 at 3.3 V
	JP34 OPEN AND JP35 CLOSED	SDA1/SCL1 at 5.0 V

Note: The two buses can be at the same or different voltage levels.

- RESET pushbutton: Used to reset the PCA9543 (all channels deselected)
- LD120: Used to visualize Interrupt on /INT0.
 - LED OFF = No interrupt (/INT0 pin high)
 - LED ON = Interrupt (/INT0 pin low)
- LD130: Used to visualize Interrupt on /INT1.
 - LED OFF = No interrupt (/INT1 pin high)
 - LED ON = Interrupt (/INT1 pin low)
- LD140: Used to visualize Interrupt on /INT.
 - LED OFF = No interrupt (/INT pin high)
 - LED ON = Interrupt (/INT pin low)

- Default I²C address

Note: I²C address can be modified by changing the voltage values on pin A0 (JP31) with:

- A0= 1 when JP31 is open
- A0= 0 when JP31 is closed

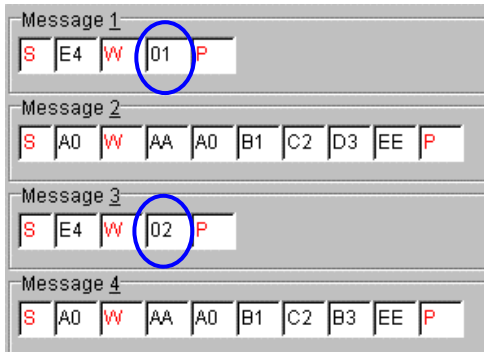
	Binary	Hexadecimal
PCA9543 (U3)	1110010	E4

- How to program the PCA9543
 - Program the device I²C address in the address box (Hexadecimal value). Verify that the software I²C address and the device I²C address are the same (jumper JP31)
 - Check (✓) (connected to the upstream channel) or uncheck (not connected to the upstream channel) the channel(s)
 - “Write” pushbutton to write in the PCA9543 Control register
 - “Read” pushbutton to read the PCA9543 Control register
 - Interrupts: Read only data. When Dark Green color is displayed, an Interrupt has been detected in the corresponding input (Interrupt input is low and by consequence the PCA9543 Interrupt Output is also low). Interrupts are generated by either the PCA9501 or the PCA9554.
 - When PCA9501 generates an Interrupt (Logic level Low), LD120 is ON.

- When PCA9554 generates an Interrupt (Logic level Low), LD130 is ON
 - When PCA9543 Interrupt output is low, LD140 is ON.
 - 6. “Auto Write” option: when the option is ON (Green), an I²C command is performed each time a change happens in the device control window
 - 7. PCA9543 Reset: The user can reset The PCA9543 by using the PB0 pushbutton. This will initialize the device causing all the downstream channels to be disconnected.
- How to access the downstream devices
 - **Downstream channel 0 only – Access to PCA9501 and LM75A_0 :**
When PCA9501 and LM75A_0 devices only need to be accessed, execute the following sequence:
 1. Device → Multiplexers/Switches → PCA9543
 2. Verify that Device Address = E4_H or change the PCA9543 software’s I²C address in order to match the programmed I²C address in the evaluation board (see state of JP31)
 3. Check(✓) channel 0 – “X1” is displayed (with X = 0, 1 or 2 or 3)
 4. Push “Write” pushbutton
 5. “Transmission Successful” is displayed
 - **Downstream channel 1 only – Access to PCF8582C-2 and LM75A_1:**
When PCF8582C-2 and LM75A_1 devices only need to be accessed, execute the following sequence:
 1. Device → Multiplexers/Switches → PCA9543
 2. Verify that Device Address = E4_H or change the PCA9543 software’s I²C address in order to match the programmed I²C address in the evaluation board (see state of JP31)
 3. Check(✓) channel 1 – “X2” is displayed (with X = 0, 1 or 2 or 3)
 4. Push “Write” pushbutton
 5. “Transmission Successful” is displayed
 - **Downstream channel 0 and Channel 1- Access to PCA9501, PCF8582C-2, LM75A_0 and LM75A_1:**
When the 2 channels need to be accessed at the same time, execute the following sequence:
When those devices need to be accessed, execute the following sequence:
 1. Device → Multiplexers/Switches → PCA9543
 2. Verify that Device Address = E4_H or change the PCA9543 software’s I²C address in order to match the programmed I²C address in the evaluation board (see state of JP31)
 3. Check(✓) channel 0 and channel 1 – “X3” is displayed (with X = 0, 1 or 2 or 3)
 4. Push “Write” pushbutton
 5. “Transmission Successful” is displayed
 - I²C downstream supply voltages
PCA9543 device is supplied by 3.3V. However, the 2 downstream channels can be supplied by either 3.3 V or 5 V. This is done by configuring the jumpers JP33 to JP36 as explained in the jumper table above.
Caution:
JP33 and JP36 MUST NOT be closed at the same time.
JP34 and JP35 MUST NOT be closed at the same time.
The evaluation board could be partially or entirely damaged if this recommendation is not followed.
 - Add more I²C devices in the downstream channel(s)
Headers TP1 (SCL1/SDA1) and TP2 (SCL2/SDA2) allow easy plug of additional devices in each downstream channel.
 - Programming example
The program below allows writing in either the PCF8582C-2 or the EEPROM in the PCA9501. In this example, we set the 2 EEPROMs at the same I²C address (A0) and we use the PCA9543 to deconflict them.
 1. Initialization
 - PCF8582C-2 I²C address must be A0_H (JP81, JP82 and JP83 must be closed)
 - PCA9501 I²C address must be A0_H (JP610, JP611, JP612 and JP615 must be closed, JP613 and JP614 must be open)
 - PCA9543 I²C address must be E4_H (JP31 closed)

- Reset the PCA9543 by pushing the PB0 pushbutton (no downstream channel connected to the upstream main channel)

2. Execute the following sequence:



Message 1 addresses the PCA9543 and connects the upstream channel to downstream channel 0 (executed at the STOP command)

Message 2 addresses the PCA9501 (connected to channel 0) and writes several bytes

Message 3 addresses the PCA9543 and connects the upstream channel to downstream channel 1 (executed at the STOP command)

Message 4 addresses the PCF8582C-2 (connected to channel 1) and writes several bytes

The scope waveforms illustrate the communication described above.

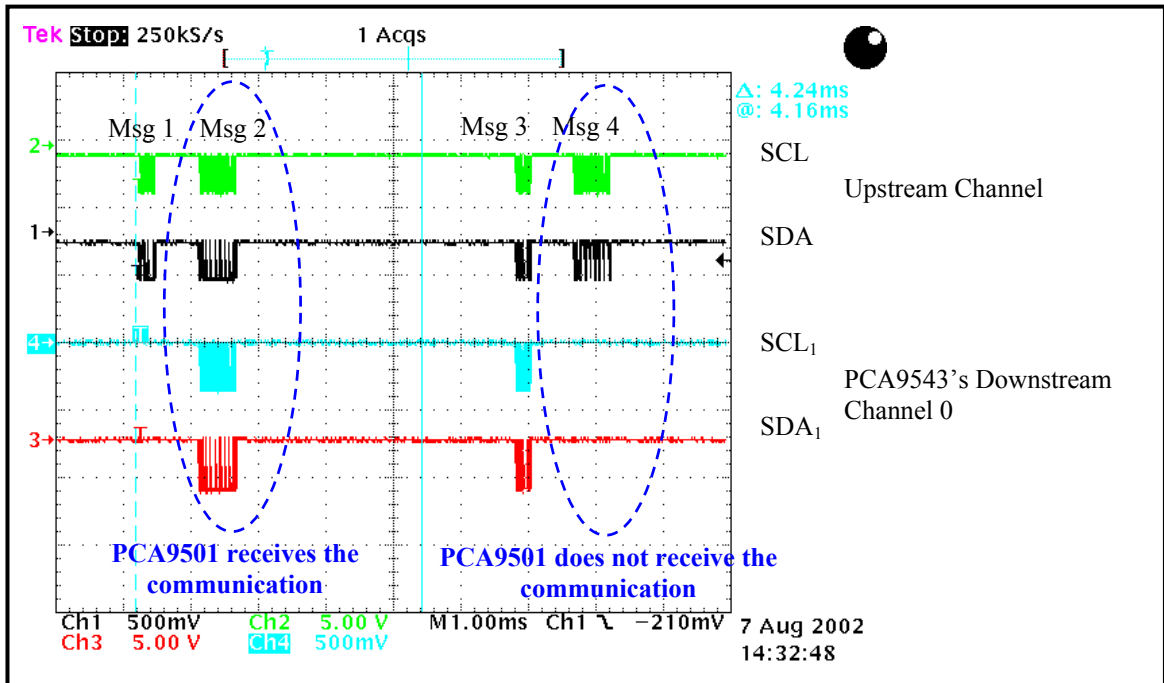


Figure 12. PCA9543 programming waveforms

PCA9550/PCA9551

- Software
Device → LED Drivers/Blinkers → PCA9550
Device → LED Drivers/Blinkers → PCA9551

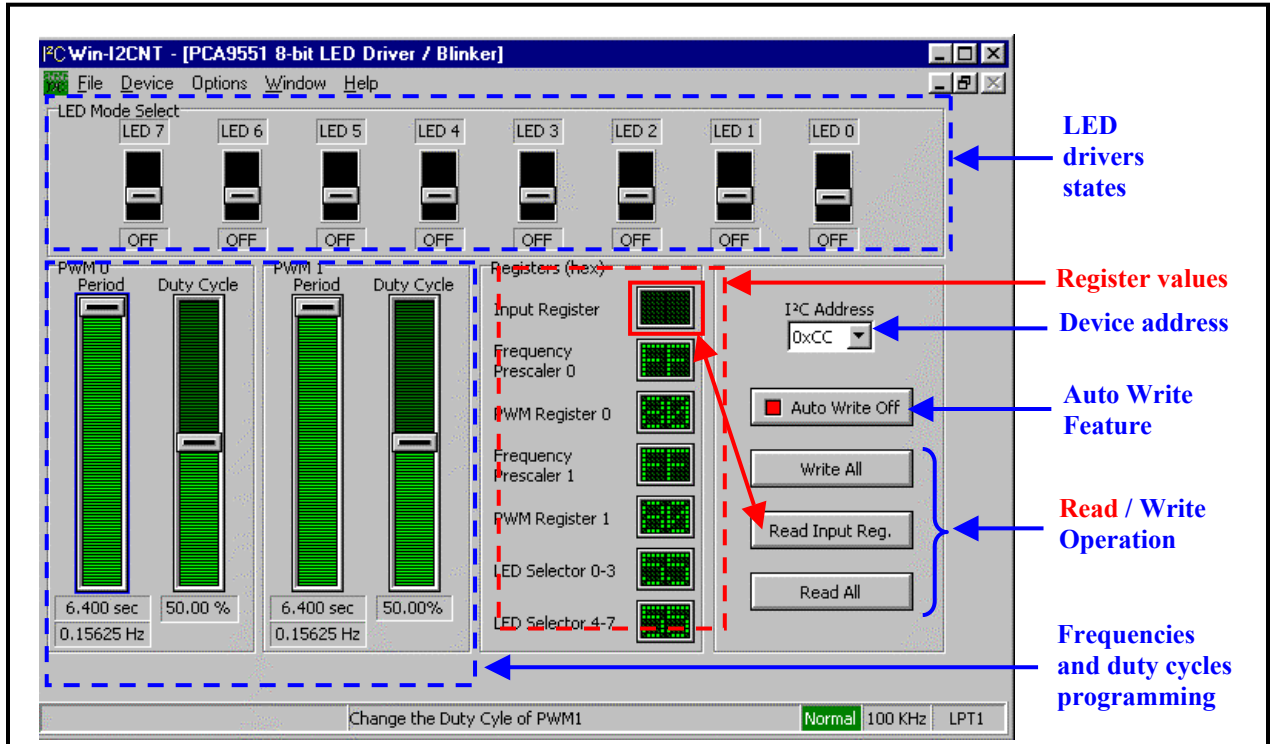


Figure 13. PCA9551 Control Window

Blue: accessible to programming
Red: status information

- Hardware

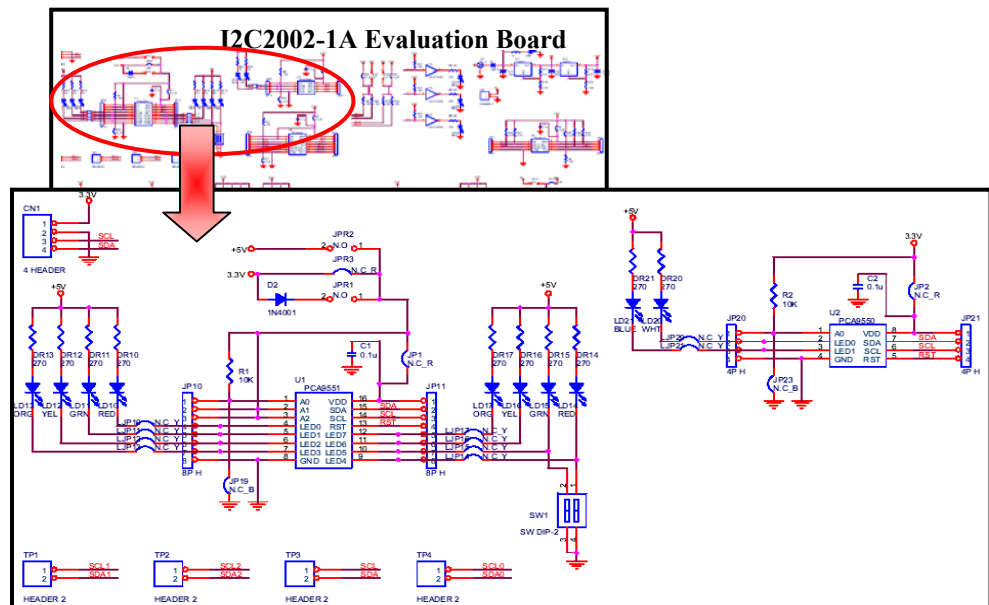


Figure 14. PCA9550 and PCA9551 Schematic

- External Components
 - A. PCA9550:
 1. LD 20 and LD21: Used to visualize the I/Os
 2. Jumpers and Headers:

JP2	Used to measure the current flowing through V_{DD} Must be CLOSED under other conditions (no measurement)	
JP20 and JP21	Headers to monitor the pins of the PCA9550	
JP23	Used to control the programmable address pin A0	
	JP23 CLOSED	A0 is connected to GND (Low logic Level)
	JP23 OPEN	A0 is connected to V_{DD} (High logic Level)
LJP20 and LJP21	Used to disconnect the default output stage (LED + Resistor) in order to connect an external hardware	
	LJP2x CLOSED	LD2x and DR2x connected to LEDx
	LJP2x OPEN	LD2x and DR2x disconnected from LEDx

3. RESET pushbutton: Used to reset the PCA9550

- B. PCA9551:
 1. LD10 to LD17: Used to visualize the I/Os
 2. Double DIP switch: Used to force High or Low logic levels I/O4 and I/O5
 3. Jumpers and Headers:

JP1	Used to measure the current flowing through V_{DD} Must be CLOSED under other conditions (no measurement)	
JP10 and JP11	Headers to monitor the pins of the PCA9551	
JP19	Used to control the programmable address pin A0	
	JP19 CLOSED	A0 is connected to GND (Low logic Level)
	JP19 OPEN	A0 is connected to V_{DD} (High logic Level)
JPR1 JPR2 JPR3	Used to supply 2.5 V to the PCA9551 Used to supply 5.0 V to the PCA9551 Used to supply 3.3 V to the PCA9551 Caution: Only one jumper MUST BE CLOSED at a time	
	JPR1 CLOSED AND JPR2 OPEN AND JPR3 OPEN	PCA9551's power supply is 2.5 V
	JPR2 CLOSED AND JPR1 OPEN AND JPR3 OPEN	PCA9551's power supply is 5.0 V
	JPR3 CLOSED AND JPR1 OPEN AND JPR2 OPEN	PCA9551's power supply is 3.3 V
LJP10 to LJP17	Used to disconnect the default output stage (LED + Resistor) in order to connect an external hardware	
	LJP1x CLOSED	LD1x and DR1x connected to LEDx
	LJP1x OPEN	LD1x and DR1x disconnected from LEDx

4. RESET pushbutton: Used to reset the PCA9551

- Default I²C address
 Note: I²C address can be modified by changing the voltage values on pin A0 (JP23 for PCA9550, JP19 for PCA9551) with:
 - A0 = 1 when JP23 for PCA9550 or JP19 for PCA9551 is open
 - A0 = 0 when JP23 for PCA9550 or JP19 for PCA9551 is closed

	Binary	Hexadecimal
PCA9550 (U2)	1100000	C0
PCA9551 (U1)	1100110	CC

- How to program the PCA9550 and PCA9551
 1. Program the device I²C address in the address box (Hexadecimal value). Verify that the software I²C address and the device I²C address are the same (jumpers JP23 for PCA9550, JP19 for PCA9551)
 2. Choose the desired LED output state: ON, OFF, Blinking Rate 1 (PWM0), Blinking Rate 2 (PWM1). Note that the register value(s) change(s) when the output state changes.
 3. Use the cursors to program the blinking frequency and the duty cycle for each blinking rate. Note that the register values are automatically updated when cursor position changes.
 4. “Write All” pushbutton to write the settings in the PCA9550/51. Register values can be read in the “Registers” windows
 5. “Read All” pushbutton to read all the PCA9550/51 register values. Register values can be read in the “Registers” windows
 6. “Read Input Reg” to read only the PCA9550/51 input register. Register value can be read in the “Input Register” window
 7. “Auto Write” option: when the option is ON (Green), an I²C command is performed each time a change happens in the device control window
 8. PCA9550/51 Reset: The user can reset The PCA9550 and PCA9551 by using the PB0 pushbutton. This will initialize the device causing all the LEDs to be OFF.

- PCA9551 Power supply options
 The PCA9551 can be powered at three different voltages (2.5 V, 3.3 V and 5.0 V). However, the LED output stage can only be powered at 5.0 V.

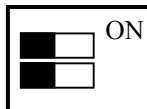
Supply voltages can be selected by configuring the jumpers JPR1 (2.5 V), JPR2 (5.0 V) or JPR3 (3.3 V)

Caution:

Be sure that ONLY one jumper is closed at a time. The evaluation board could be partially or entirely damaged if this recommendation is not followed.

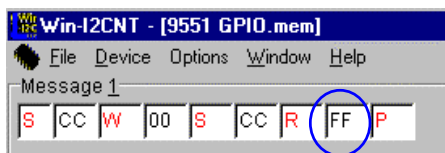
- How to use the PCA9551 as a GPIO
 Unused LED driver outputs can be used as General Purpose Inputs and Outputs. A double DIP switch has been implemented in order to force PCA9551’s I/O4 and I/O5.

1. Power down the evaluation board
2. PCA9551 I²C address must be CC_H, jumper JP19 must be closed
3. Verify that LJP14 and LJP15 are closed
4. Program the DIP switches as following:



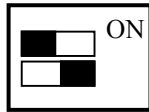
The 2 switches are then OFF

5. Power up the evaluation boards. All the LEDs must be OFF
6. Read the Input register



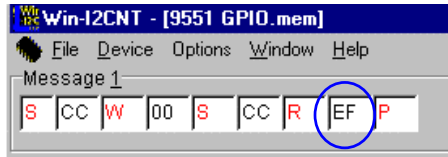
Input register value is 1111111_b or FF_H. All the pins are read with a Logic Level 1

7. Program the DIP switches as following:



I/O4 is now at Logic Level 0 and LD14 must be ON.

8. Read the Input register



Input Register value is now 11101111 or EF_H.
I/O4 is read with a Logic Level 0

PCA9554

- Software
Device → I/O Expanders → PCA9554

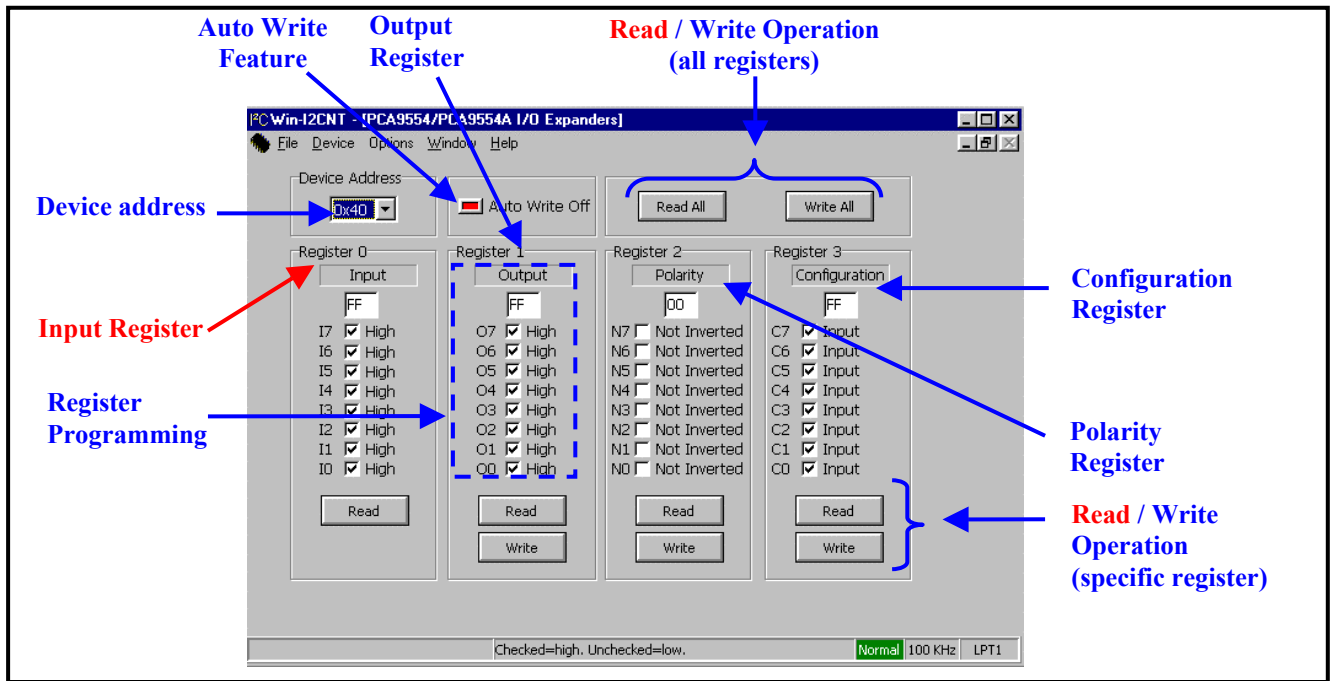


Figure 15. PCA9554 Control Window

Blue: accessible to programming
Red: status information

- Hardware

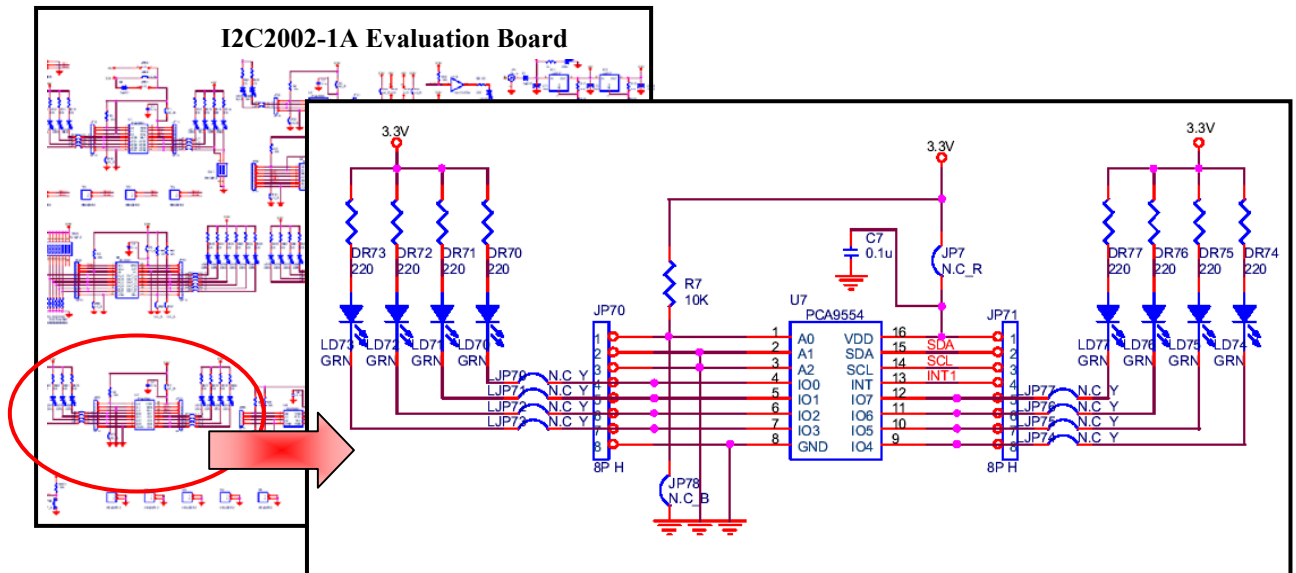


Figure 16. PCA9554 Schematic

- External Components
 - LD70 to LD77: Used to visualize I/O signals
 - Jumpers and Headers:

JP7	Used to measure the current flowing through V_{DD} Must be CLOSED under other conditions (no measurement)	
JP70 and JP71	Headers to monitor the pins of the PCA9554	
JP78	Used to control the programmable address pin A0	
	JP78 CLOSED	A0 is connected to GND (Low logic Level)
	JP78 OPEN	A0 is connected to V_{DD} (High logic Level)
LJP70 to LJP77	Used to disconnect the default output stage (LED + Resistor) in order to connect an external hardware	
	LJP7x CLOSED	LD7x and DR7x connected to IOx
	LJP7x OPEN	LD7x and DR7x disconnected from IOx

- Default I²C address
Note: I²C address can be modified by changing the voltage values on pin A0 (JP78) with:
 - A0= 1 when JP78 is open
 - A0= 0 when JP78 is closed

	Binary	Hexadecimal
PCA9554 (U7)	0100000	40

- How to program the PCA9554
 - Program the device I²C address (Hexadecimal value). Verify that the software I²C address and the device I²C address are the same (jumper JP78)
 - Check (✓) (Pin is an input) or uncheck (Pin is an output) the Configuration register
 - Check (✓) (Pin is forced at Logic Level 1) or uncheck (Pin is forced at Logic Level 0) the Output register
 - Check (✓) (Input Pin is inverted) or uncheck (Input pin is not inverted) the Polarity register
 - “Write” pushbutton to program a specific register (Configuration, Output or Polarity)
 - “Write All” pushbutton to program all the registers at the same time
 - “Read” pushbutton to read a specific register (Input, Configuration, Output or Polarity)
 - “Read All” pushbutton to read all the registers
 - “Auto Write” option: when the option is ON (Green), an I²C command is performed each time a change happens in the device control window

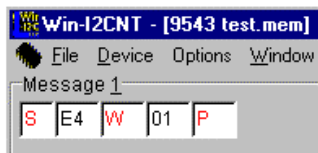
- Programming examples

This example will show how to use the PCA9554 and the PCA9501 together in order to have a “fun blinking” scheme.

It will show the differences in I/O programming.

The 16 LEDs will blink in a predefined scheme and the blinking speed can be adjusted by changing the waiting time between two I²C commands.

- Power down and then power up the evaluation board
- Initialization:
 - Since the PCA9501 is not located on the main I²C bus but on the PCA9543’s downstream channel 0, the PCA9543 should first be properly configured.
 - The PCA9543 I²C address must be E4_H (JP31 closed)
 - Execute the following sequence:



This command connects the upstream channel to the downstream channel 0

Or use the PCA9543 control window: Device → Multiplexers/Switches→ PCA9543, to connect the upstream channel to the downstream channel 0.

3. I²C addresses:

- PCA9501 I²C address must be 30_H. JP610 to JP615 must be closed.
- PCA9554 I²C address must be 40_H. Note: if a PCA9554A has been mounted instead of a PCA9554, the address must then be 70_H. JP78 must be closed.

d) Blinking scheme:

- a) Write the sequence described below (5 messages)

Notes:

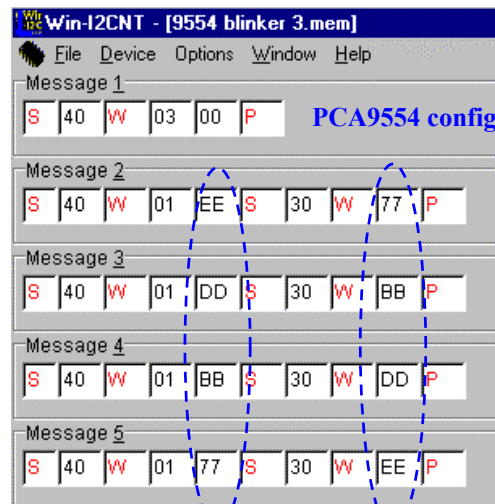
- Message 1 shows the main difference between the PCA9554 and the PCA9501. PCA9554 I/Os need to be configured as outputs (powered up as inputs) when they need to be used as outputs
- Messages 2 to 5 show the register programming in order to put in place the blinking scheme. Note that the PCA9554 writing is done in 2 bytes (register pointer and then data) while the PCA9501 writing is done in 1 byte.

- b) Sequence box: Write “12345” : this will indicate the sequence order

- c) Execute the sequence by using the “Repeat” pushbutton in the Sequencer.

- d) Blinking speed can be controlled by changing the “Delay” value in the sequencer. Use the Up and Down arrows to change the blinking speed.

- e) Stop the sequence by pushing the “Stop” pushbutton.



PCA9554 output values

PCA9501 output values

PCA9555

- Software
Device → I/O Expanders → PCA9555

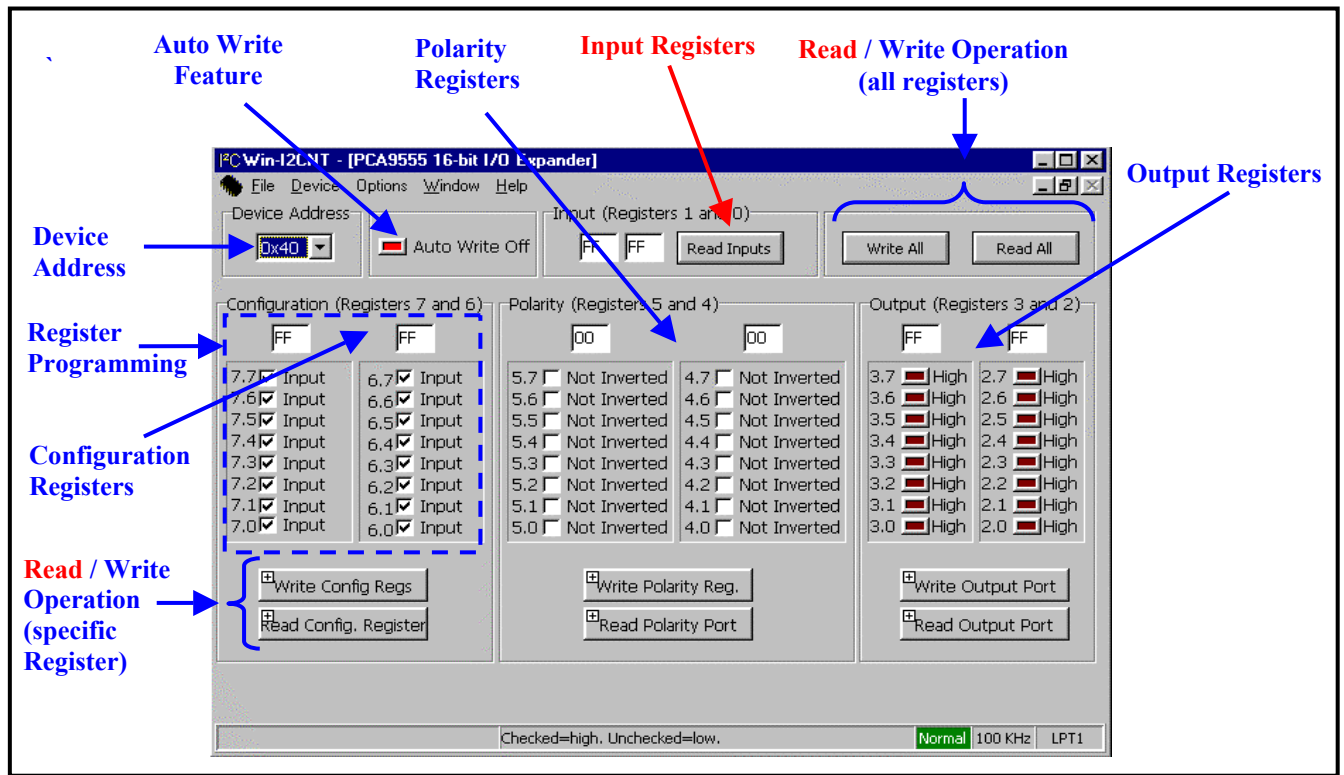


Figure 17. PCA9555 Control Window

Blue: accessible to programming
Red: status information

- Hardware

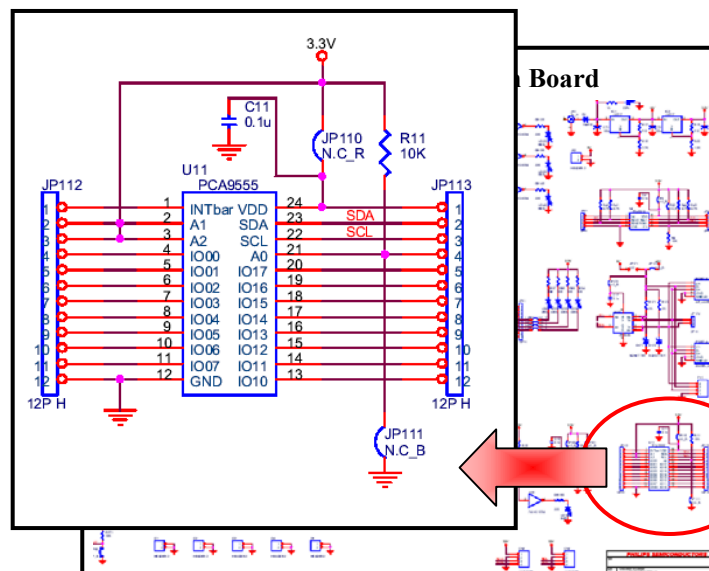


Figure 18. PCA9555 Schematic

- External Components
 - Jumpers and Headers:

JP110	Used to measure the current flowing through V_{DD} Must be CLOSED under other conditions (no measurement)	
JP111	Used to control the programmable address pin A0	
	JP111 CLOSED	A0 is connected to GND (Low logic Level)
	JP111 OPEN	A0 is connected to V_{DD} (High logic Level)
JP112 and JP113	Headers to monitor the pins of the PCA9555	

- Default I²C address
Note: I²C address can be modified by changing the voltage values on pin A0 (JP111) with:
 - A0= 1 when JP111 is open
 - A0= 0 when JP111 is closed

	Binary	Hexadecimal
PCA9555 (U11)	0100110	4C

- How to program the PCA9555
 - Program the device I²C address (Hexadecimal value). Verify that the software I²C address and the device I²C address are the same (jumper JP111)
 - Check (✓) (Pin is an input) or uncheck (Pin is an output) the Configuration register
 - Check (✓) (Pin is forced at Logic Level 1) or uncheck (Pin is forced at Logic Level 0) the Output register
 - Check (✓) (Input Pin is inverted) or uncheck (Input pin is not inverted) the Polarity register
 - “Write” pushbutton to program a specific register (Configuration, Output or Polarity)
 - “Write All” pushbutton to program all the registers at the same time
 - “Read” pushbutton to read a specific register (Input, Configuration, Output or Polarity)
 - “Read All” pushbutton to read all the registers
 - “Auto Write” option: when the option is ON (Green), an I²C command is performed each time a change happens in the device control window
- How to use the PCA9555
Since the only difference between the PCA9554 and the PCA9555 is the number of bits (8 for the PCA9554 and 16 for the PCA9555), the I/Os are not connected to resistors and LEDs. However, it is possible to connect the PCA9555 I/Os to:
 - External hardware through the headers (JP112 and JP113)
 - Other LEDs in the evaluation boards using external wiring.

PCA9561

- Software
Device → Non-Volatile Registers → PCA9561

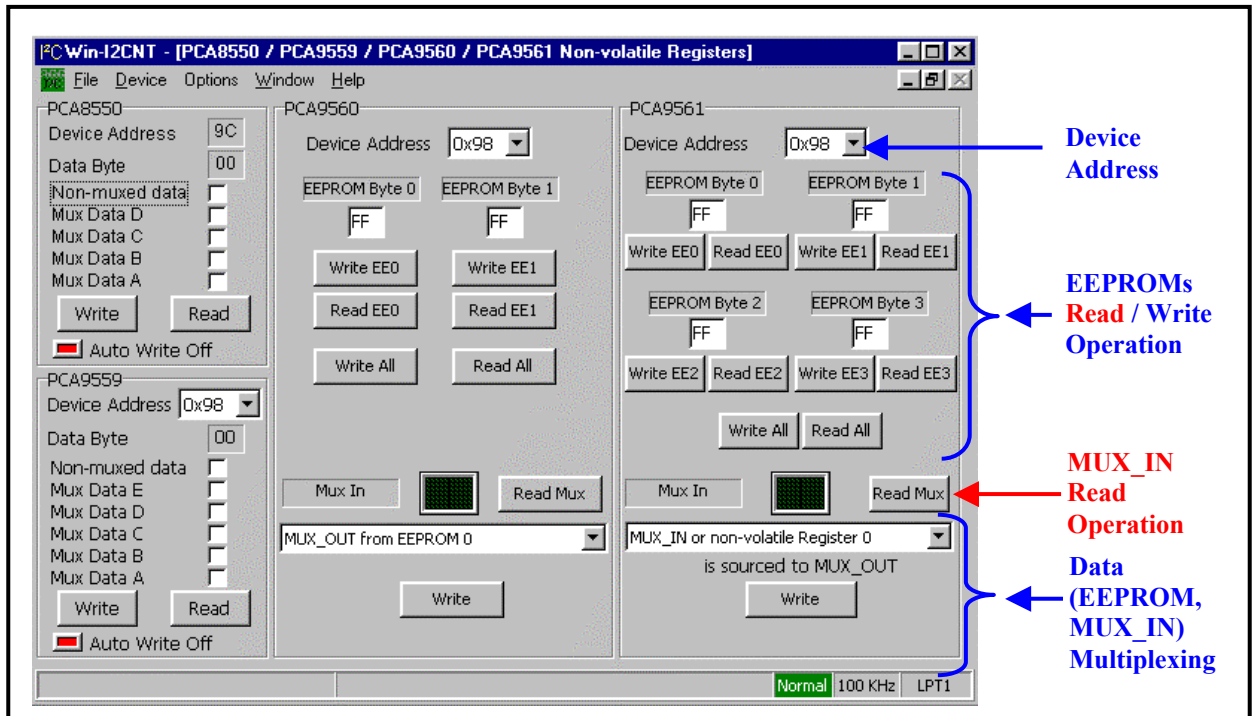


Figure 19. PCA9561 control Window

Blue: accessible to programming
Red: status information

- Hardware

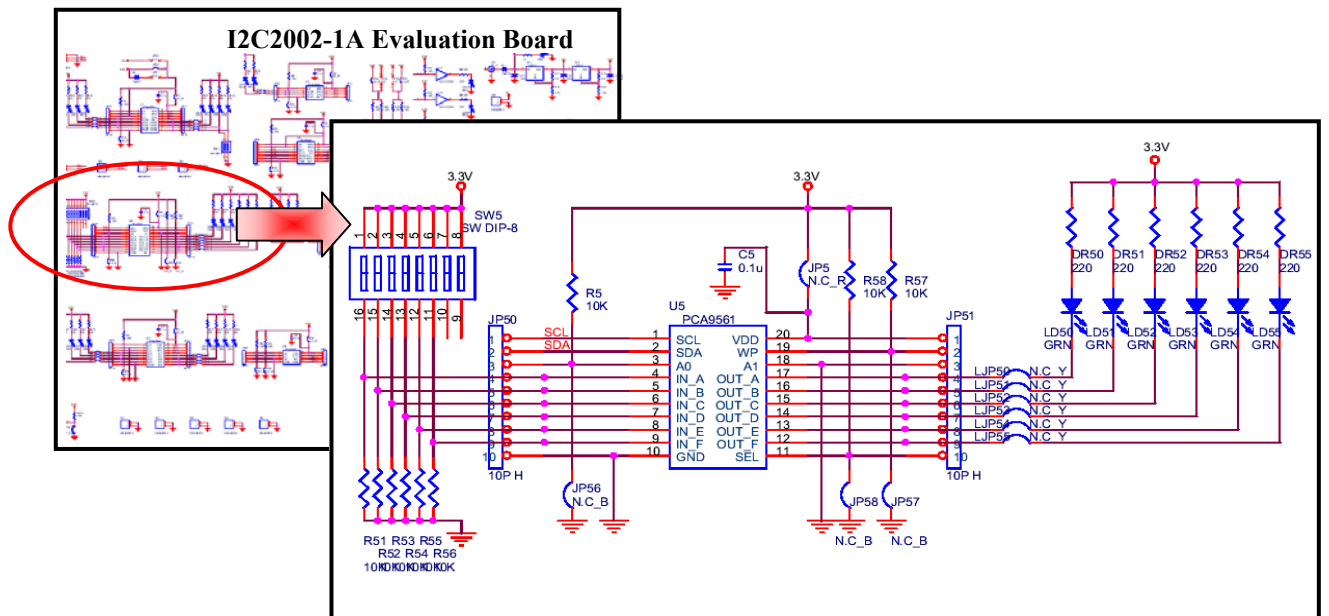


Figure 20. PCA9561 Schematic

- External Components
 - LD50 to LD55: Used to visualize output signals
 - Octal DIP switch: Used to program the hardware programmable inputs (only 6 of the 8 switches are used)
 - Jumpers and Headers:

JP5	Used to measure the current flowing through V_{DD} Must be CLOSED under other conditions (no measurement)	
JP50 and JP51	Headers to monitor the pins of the PCA9561	
JP56	Used to control the programmable address pin A0	
	JP56 CLOSED	A0 is connected to GND (Low logic Level)
	JP56 OPEN	A0 is connected to V_{DD} (High logic Level)
JP57	Used to control the Write Protect feature (WP pin)	
	JP57 CLOSED	Write to EEPROMs is allowed
	JP57 OPEN	Write to EEPROMs is not allowed
JP58	Used to control data selection between EEPROM or hardware programmable inputs (MUX SELECT pin)	
	JP58 CLOSED	EEPROM selected
	JP58 OPEN	Hardware programmable pins selected
LJP50 to LJP55	Used to disconnect the default output stage (LED + Resistor) in order to connect an external hardware	
	LJP5x CLOSED	LD5x and DR5x connected to OUT_x
	LJP5x OPEN	LD5x and DR5x disconnected from OUT_x

- Default I²C address
Note: I²C address can be modified by changing the voltage values on pin A0 (JP56) with:
 - A0 = 1 when JP56 is open
 - A0 = 0 when JP56 is closed

	Binary	Hexadecimal
PCA9561 (U5)	1001100	98

- How to program the PCA9561
 - Program the device I²C address (Hexadecimal value). Verify that the software I²C address and the device I²C address are the same (jumper JP56)
 - Set manually jumper JP57:
 - closed if EEPROM programming is required
 - open if EEPROM values need to be protected (writing not allowed)
 - Enter the different EEPROM values to be programmed (EEPROM 0 to 3) to the 4 different EEPROMs by entering the hexadecimal value in the corresponding window (JP57 must be closed).
Each EEPROM has a 6-bit binary value.
 - “Write EEx” pushbutton programs the EEPROM x (JP57 must be closed)
 - “Read EEx” pushbutton reads the EEPROM x
 - “Write All” pushbutton programs the 4 EEPROMs at the same time
 - “Read All” pushbutton reads the 4 EEPROMs at the same time
 - Set manually jumper JP58:
 - closed if an EEPROM value needs to be multiplexed with the output pins
 - open if the MUX_IN value needs to be multiplexed with the output pins
 - Choose which input needs to be multiplexed with the output pins (MUX_IN or EEPROM 0, 1, 2 or 3)
 - “Write” pushbutton programs the required multiplexer configuration
 - The Octal DIP switch (only the upper 6 switches are used) sets the MUX_IN values
 - Switch in the left position programs a “0” in the corresponding MUX_IN input
 - Switch in the right position programs a “1” in the corresponding MUX_IN input
 - “Read Mux” pushbutton allows reading of the MUX_IN setting

- Programming examples

Example 1:

In this example, we will use the PCA9561 as a DIP switch replacement. The PCA9561 will power up with its outputs connected to the MUX_IN value. When powered-up, the master will then connect the PCA9561 outputs to the different EEPROMs (different configuration values required by the application or again the MUX_IN pins. The 4 registers and the MUX_IN inputs will be programmed as follows:

	Binary Value						Hexadecimal Value
EEPROM 0	1	0	1	0	1	0	2A
EEPROM 1	0	1	0	1	0	1	15
EEPROM 2	0	0	1	1	1	0	0E
EEPROM 3	1	1	0	0	0	1	31
MUX_IN	0	0	0	0	0	0	00

Note:

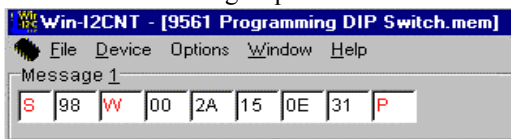
- In this example, MUX_SELECT pin must be left floating. This pin is not controlled by the software but by a simple jumper (JP58). The user will have to set it open.
- JP57 must be closed to allow writing operation to the EEPROMs

- Power down the evaluation board
- PCA9561 I²C address must be 98_H (JP56 closed)
- Open JP58 – MUX_SELECT pin is set floating (Hardware pins selected)
- Close JP57 – WP pin is connected to ground (EEPROM writing allowed)
- Program the PCA9561 MUX_IN programming switches as follows:

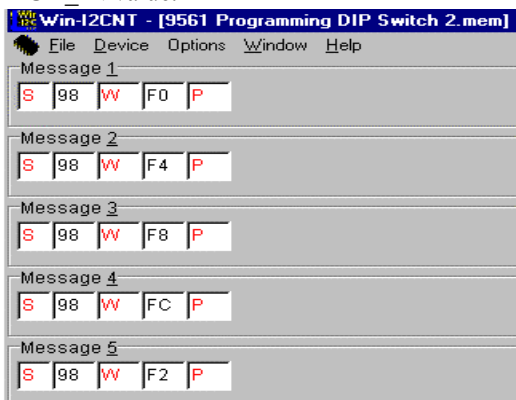


All the switches are OFF, MUX_IN[F:A] = 000000_b or 00_H

- Power up the evaluation board. Note that the PCA9561 outputs power up with OUT[F:A] = 000000. LD150 to LD155 are ON.
- Once the power is up, the master can program the 4 configuration values in the 4 EEPROMs. Execute the following sequence:



- The 5 following messages will configure the PCA9561 outputs either to one of the 4 EEPROMs or the MUX_IN value.



EEPROM 0 connected to MUX_OUT (MUX_SELECT pin overridden)

EEPROM 1 connected to MUX_OUT (MUX_SELECT pin overridden)

EEPROM 2 connected to MUX_OUT (MUX_SELECT pin overridden)

EEPROM 3 connected to MUX_OUT (MUX_SELECT pin overridden)

MUX_IN connected to MUX_OUT (MUX_SELECT pin overridden)

- The user can re-start sequence 8) after powering down and powering up the board again to demonstrate the EEPROM capability to retain programmed information when powered down.

Example 2:

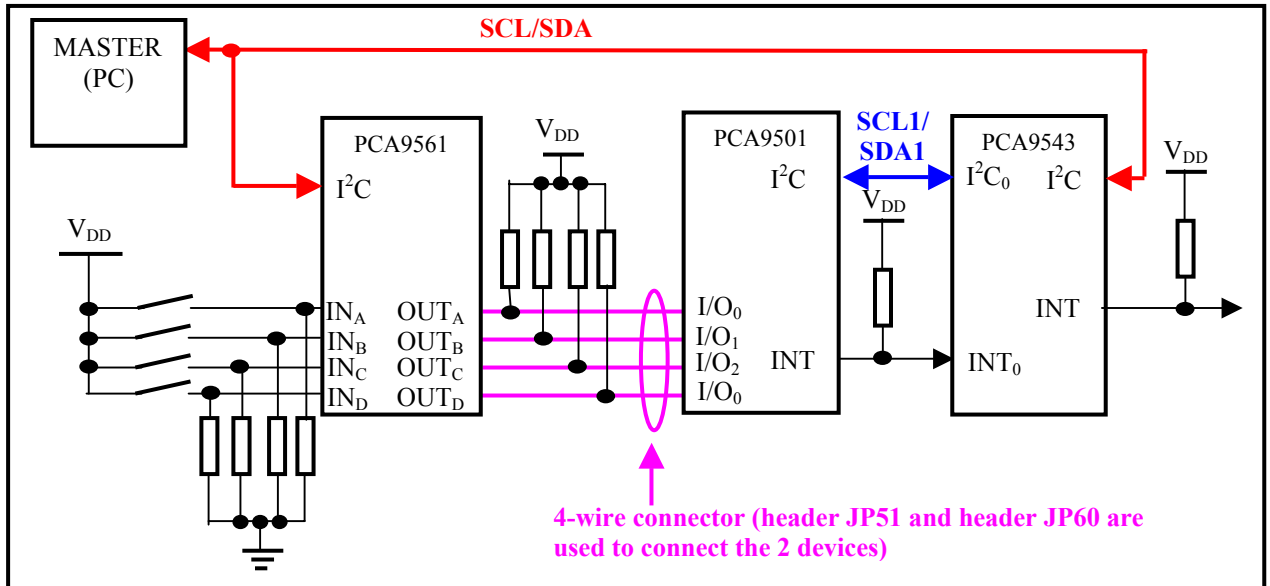
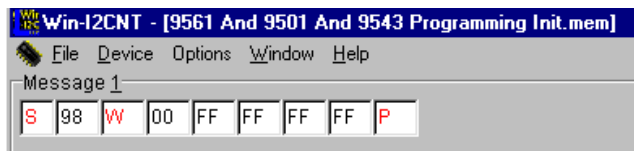


Figure 21. Example 2 schematic

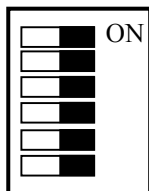
Note: LEDs are not displayed in the schematic.

- PCA9561 I²C address must be 98_H (JP56 closed)
- Headers LJP50 to 57 (PCA9561) and LJP60 to 67 (PCA9501) must be closed if visualization through LED is required
- Initialization:
In order to avoid any transient state and be sure about power up values:
 - Close JP57 to allow writing operation to the EEPROMs
 - Execute the following sequence:



This command will program the four EEPROMs of the PCA9561 to FF_H

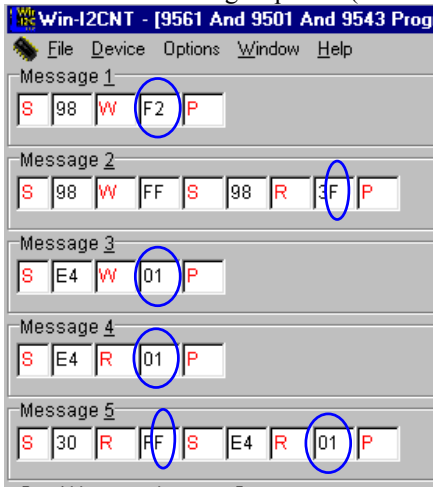
- Power down the evaluation board
- Program the PCA9561 MUX_IN programming switches as follows:



All the switches are ON, MUX_IN[D:A] = 1111_b or FF_H

- Connect together the PCA9501 and the PCA9561: We only use the 4 Least Significant Bits of the PCA9561.
 - Header JP51 pin 4 connected to Header JP60 pin 4
 - Header JP51 pin 5 connected to Header JP60 pin 5

- Header JP51 pin 6 connected to Header JP60 pin 6
 - Header JP51 pin 7 connected to Header JP60 pin 7
- Power up the evaluation board. The evaluation board should power up with all the PCA9501, PCA9543 and PCA9561 LEDs OFF.
 - Execute the following sequence (5 messages):



PCA9561 programming, Outputs = MUX_IN signals

PCA9561 programming: MUX_IN values are read.
MUX_IN[D:A] = 1111_b or F_H

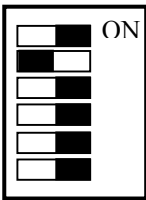
PCA9543 programming, Channel 0 connected to the upstream channel

PCA9543 programming, Control register is read (no Interrupt, Channel 0 connected to upstream channel)

PCA9501 programming: Inputs are read.
I/O[3:0] = 1111_b or F_H

PCA9543 programming, Control register is read (no Interrupt, Channel 0 connected to upstream channel)

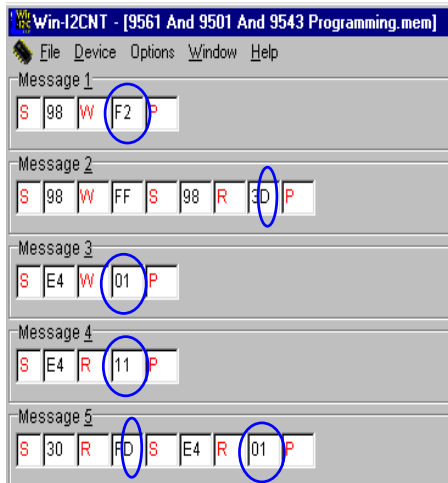
- Change the MUX_IN programming switch to the following configuration:



MUX_IN[D:A] is now equal to 1101_b or D_H

Note that:

- PCA9561's OUT_B pin is now low (LD51 is ON)
 - PCA9501's I/O1 is now low (LD61 is ON)
 - The PCA9501 has generated an Interrupt (because one of its input state changes) and its /INT pin is low (LD120 is ON)
 - The PCA9543 has generated an Interrupt (because one of its interrupt inputs detected an Interrupt condition) and the /INT pin is low (LD140 is ON)
- Run the previous sequence (step 5) again.



PCA9561 programming, Outputs = MUX_IN signals

PCA9561 programming: MUX_IN values are read.
MUX_IN[3:0] = 1101_b or D_H

PCA9543 programming, Channel 0 connected to the upstream channel

PCA9543 programming, Control register is read (Interrupt on channel 0, Channel 0 connected to upstream channel)

PCA9501 programming: Inputs are read.
I/O[3:0] = 1101_b or D_H. The Read operation clears the Interrupt condition (LD120 and then LD140 are OFF).
This can be checked by reading again the PCA9541 Control register (no Interrupt, Channel 0 connected to upstream channel).

PCF8582C-2

- Software
Device → EEPROM → PCF8582C-2

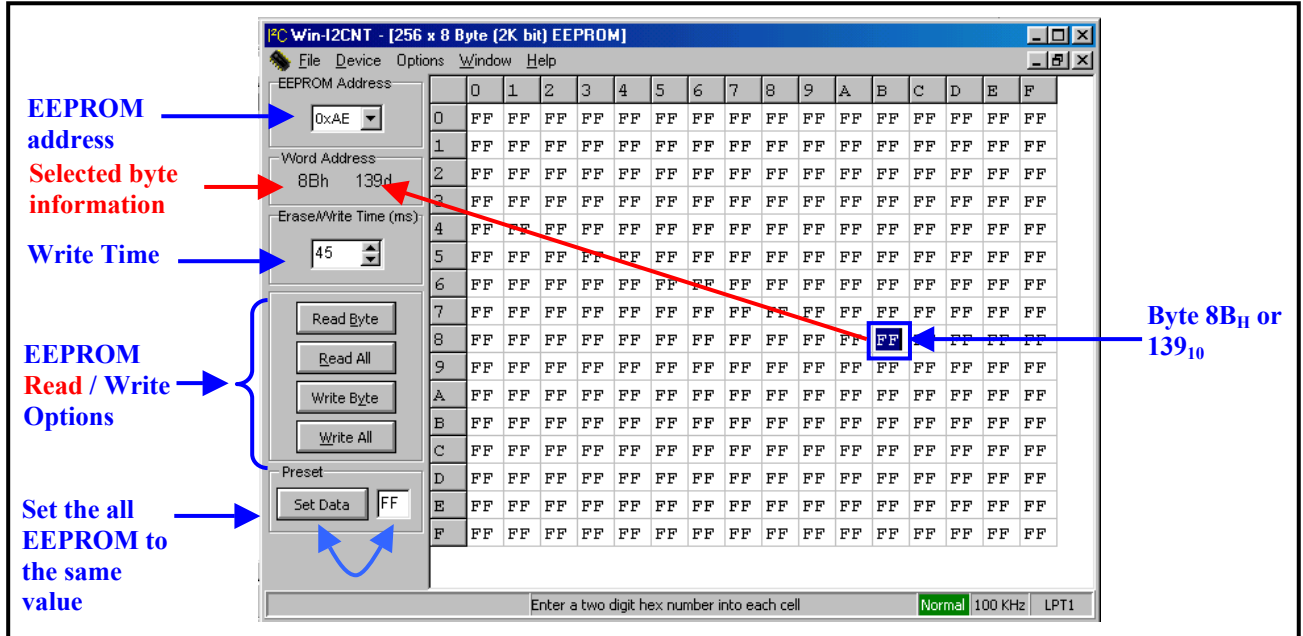


Figure 22. PCF8582C-2 Control Window

Blue: accessible to programming
Red: status information

- Hardware

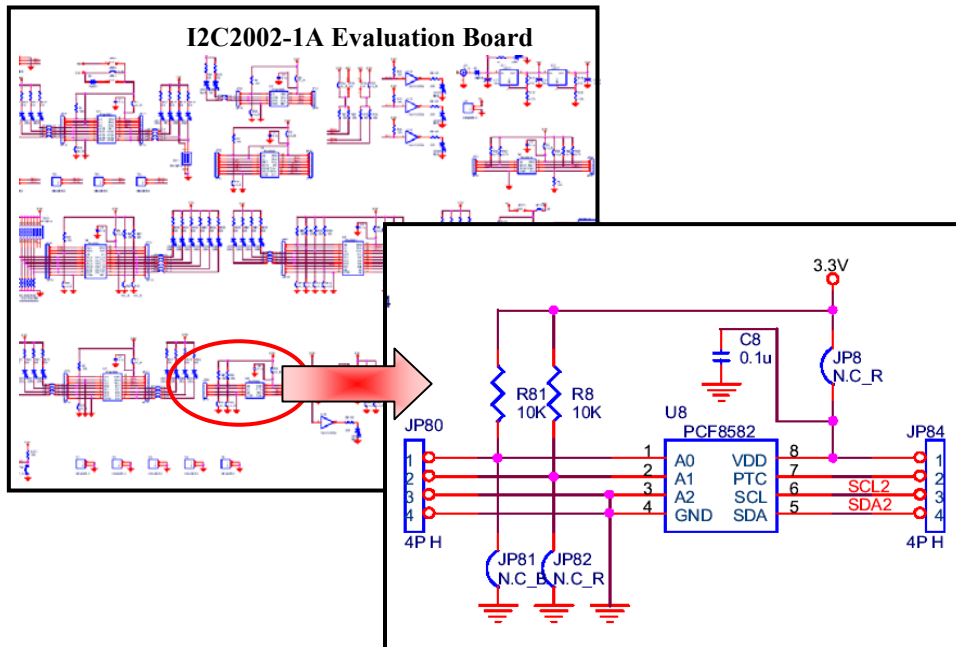


Figure 23. PCF8582C-2 Schematic

- External Components
 - Jumpers and Headers:

JP8	Used to measure the current flowing through V_{DD} Must be CLOSED under other conditions (no measurement)	
JP80 and JP84	Headers to monitor the pins of the PCA9561	
JP81	Used to control the programmable address pin A0	
	JP81 CLOSED	A0 is connected to GND (Low logic Level)
	JP81 OPEN	A0 is connected to V_{DD} (High logic Level)
JP82	Used to control the programmable address pin A1	
	JP82 CLOSED	A1 is connected to GND (Low logic Level)
	JP82 OPEN	A1 is connected to V_{DD} (High logic Level)

- Default I²C address
Note: I²C address can be modified by changing the voltage values on pin A0 and A1 (JP81 and JP82) with:
 - A0= 1 when JP81 is open
 - A0= 0 when JP81 is closed
 - A1= 1 when JP82 is open
 - A1= 0 when JP82 is closed
 JP83 must be closed all the time

	Binary	Hexadecimal
PCF8582C-2 (U8)	1010000	A0

- How to program the PCF8582C-2
Important note before starting experiments on the PCF8582C-2:
The device is not on the main I²C bus (bus from the Adapter Card) but on PCA9543's downstream Channel 1. To access the PCF8582C-2, PCA9543 must be configured with its upstream channel connected to Channel 1.
For more information about how to program the PCA9543, please refer to the section "PCA9543", paragraph "How to access the downstream devices".

The table shows the 256 bytes that can be programmed. Two one-digit hexadecimal numbers H_1H_0 with H_1 being the line number and H_0 being the column number define each byte.

For example: Byte 6E is located at the intersection of line 6 with column E.

- Program the device I²C address in the address box (Hexadecimal value). Verify that the software I²C address and the device I²C address are the same (jumpers JP81 to JP83)
- Write Operation:
The EEPROM can be programmed:
 - Byte after byte ("Write Byte" pushbutton): The byte where the cursor is will be programmed.
 - Entirely in one automatic sequence ("Write All" pushbutton)
- Read Operation:
The EEPROM can be read:
 - Byte after byte ("Read Byte" pushbutton)
 - Entirely in one automatic sequence ("Read All" pushbutton): The byte where the cursor is will be read.
- Write Time feature: define the waiting time between 2 write accesses (8-byte write operation) in order to let the EEPROM perform its E/W cycle. Use the Up and Down arrows to change the value.
- Preset feature: Program all the EEPROM bytes with the same value (value in the box) when "Set Data" button is pushed

P82B96

- Software
Since the P82B96 is a bi-directional bus buffer, it doesn't have an I²C address and therefore doesn't have any software controlling it.
- Hardware

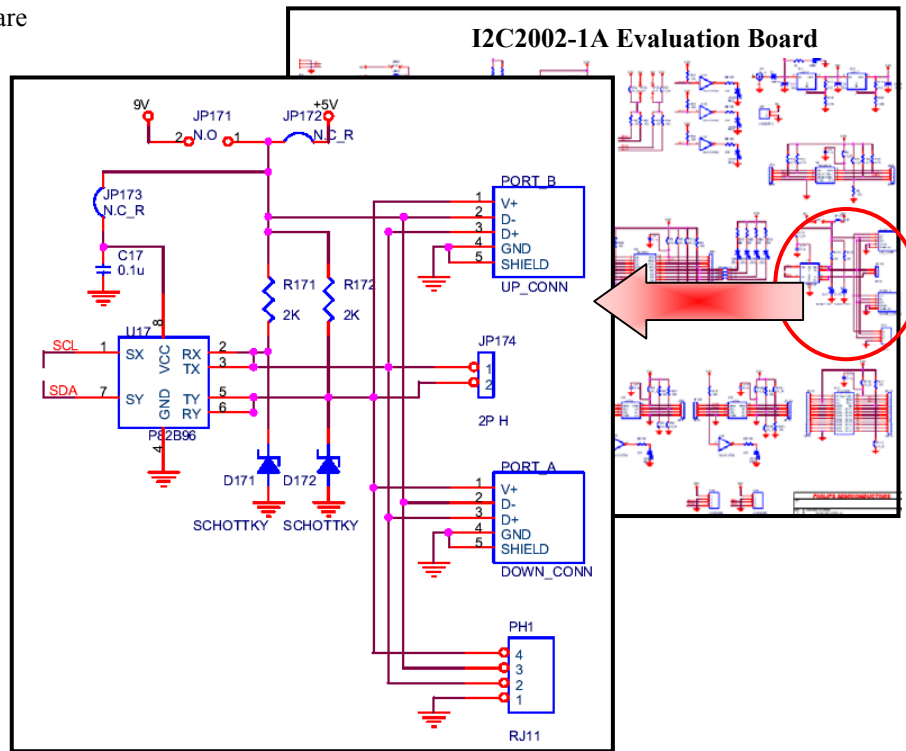


Figure 24. P82B96 Schematic

- External Components
 1. Jumpers and Headers:

JP171 JP172	Used to supply 9.0 V to the P82B96	
	Used to supply 5.0 V to the P82B96	
	Caution: Only one jumper can be present at any time	
	JP171 CLOSED AND JP172 OPEN	P82B96's power supply is 9.0 V Supply to cables is 9V
	JP172 CLOSED AND JP172 OPEN	P82B96's power supply is 5.0 V Supply to cables is 5V
JP173	Used to measure the current flowing through V _{DD} Must be CLOSED under other conditions (no measurement)	
JP174	Used to monitor the BUFFERED bus SDA and SCL waveforms Caution: Never link these pins together	

- USB Adapter Card
A USB Adapter Card is used to interface between the I2CPORT v2 Adapter Card and the Evaluation Board.

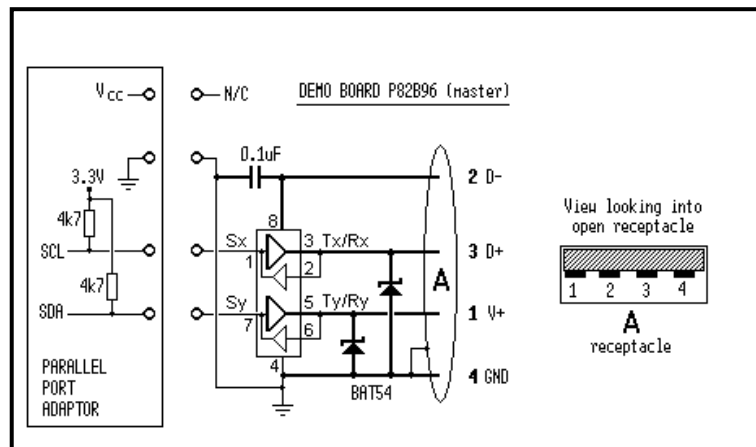


Figure 25. USB Adapter Card Schematic

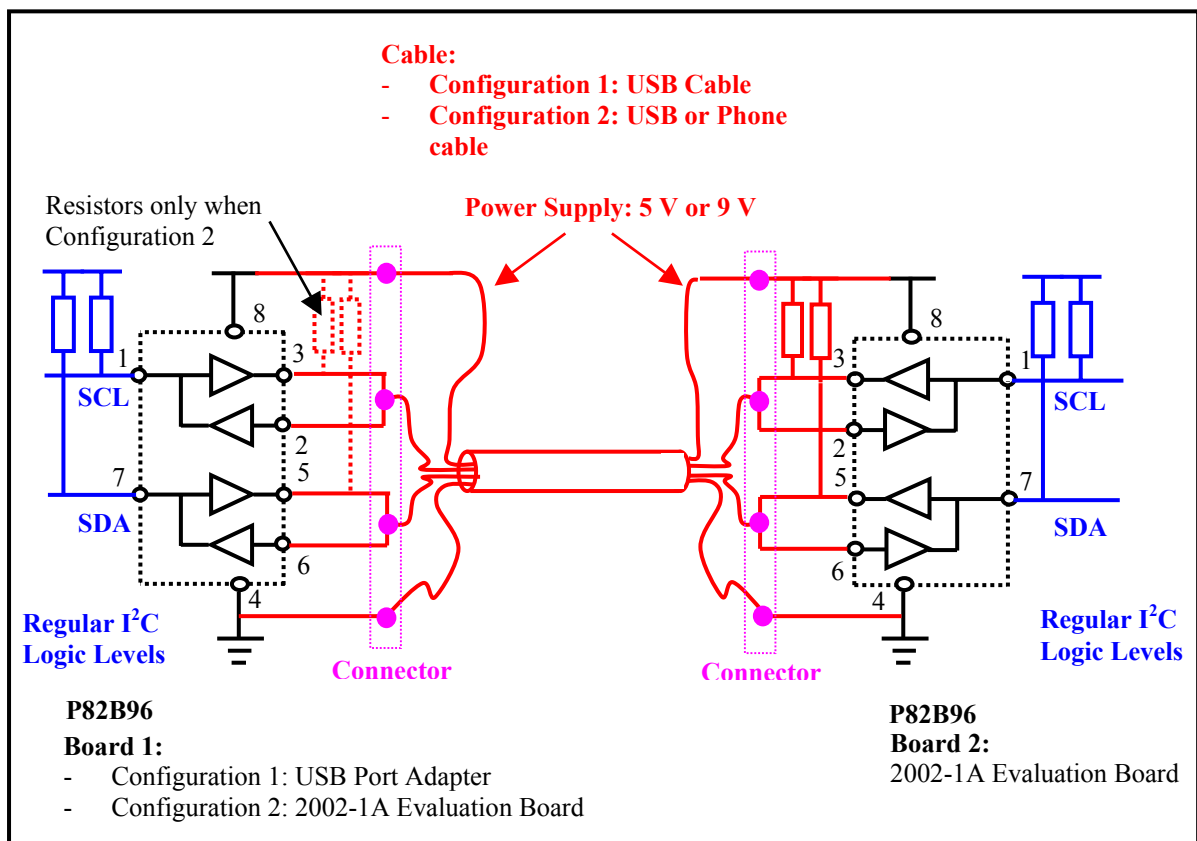


Figure 26. USB / Phone Cable Connectivity

Caution:

Only the 2 configurations explained above are allowed.

1. The USB connectors are NOT running USB signals, they are just used as a convenient hardware wiring system. NEVER connect to a PC's USB port.
2. NEVER connect the telephone wires to your home telephone jack. They are just a convenient hardware wiring system to communicate from one evaluation board to another.

- Programming examples

Caution: For all the experiments described in the following pages, we recommend the usage of x10 probes to monitor I²C waveforms because some x1 probes will add a large capacitance (>200 pF) and can slow the rise times of SCL/SDA.

The P82B96 (U17) has its special Sx inputs permanently connected to the main 3.3 V I²C bus. It's loading on that bus is negligible (few pF) and it has the capability to drive that bus for normal I²C loads (to 3 mA static) when it receives signals on its Rx/Tx I/Os.

The Rx/Tx side has these pins linked to form an I²C bus with 2kΩ pull-ups. This bus may be operated at logic supply voltage levels of 5 V or approximately 9 V using the internal supplies. (External supplies from 2 V to 15 V may be connected by removing J171 and J172 and connecting to their junction point). The logic 'low' is driven to 0 V (static drive capability is < 0.4 V at 30 mA). The input logic threshold for this bus is the standard CMOS half supply voltage (with spec limits 0.42 V - 0.58 V V_{cc}).

The Rx/Tx bus is connected to three sockets, USB type A, USB type B, and telephony RJ11 (6P4C). Standard USB cables (available up to 5 meters long) or 4-core telephony cables can be used to interconnect two or more evaluation boards or to extend I²C over very long distances.

Jumpers JP171 and JP172 select the supply to this 'extension' bus, to the P82B96s on connected boards, and they allow a remote board to be powered over the interconnect cabling.

Because P82B96 and the cables introduce logic propagation delays it is good practice to select a bus speed slightly lower than 100 kHz when demonstrating these options. For details of long bus operation see Appendix 1 of AN255.

1. Link two evaluation boards using USB cable, using only one plug-pack supply.

N.B.: The USB connectors are NOT running USB signals, they are just used as a convenient hardware wiring system. SDA/SCL bus signals are not sent together on the D+/D- because this is a twisted pair that would cause cross-coupling. SDA is paired with GND and SCL is paired with V_{cc} for best noise immunity.

- Ensure the NC jumper JP173 is fitted.
- Remove the NC jumper JP172 from both boards and fit them as links JP171 on BOTH boards.
- Connect a USB cable between the two evaluation boards, using either of their USB sockets (A or B).
- Connect a plug pack to at least one of the two evaluation boards.
- Drive the 3.3 V I²C bus in the usual way at CN1 or CN2 on either of the evaluation boards.

The nominal 9 V supply is now available, via the USB cable, to the 5 V regulators of both evaluation boards. Signals on the main 3.3 V I²C buses (SCL/SDA) of each board are linked via high voltage logic signals carried on the USB cable. Because there is a 2 kΩ bus pull-up on each board, this high voltage bus has a net 1 kΩ pull-up equivalent value so the P82B96 chips will sink around 9 mA when this bus is driven low. If an oscilloscope is available, note that the 3.3 V bus signals on the evaluation board that gets its I²C signals via the USB cable are slightly unusual. The bus logic 'low' voltage level, driven by Sx of P82B96, is around 0.8 V. During any ACK or data read from the 'slave' board, the usual 0 V logic low can be seen because this is generated by chips on the slave board. When these signals are repeated on the 'master' board, the corresponding 0.8 V logic 'low' will be seen. For all I²C transmissions the signals on the USB cable show the full swing from 0 V to V_{cc} (approximately 9 V).

2. Link two evaluation boards via a long telephony cable (e.g., 10 meters / 33 feet). Each board powered by its own plug-pack.

- Ensure the NC jumper JP173 is fitted.
- Remove the NC jumper JP172 and fit it as a link JP171 on only ONE board.
- Remove the NC jumper JP172 on the other board.
- Connect a 4-core **telephone cable*** between the two evaluation boards using their RJ11 sockets.
- Connect a separate plug-pack to each of the two evaluation boards.
- Drive the 3.3 V I²C bus in the usual way at CN1 or CN2 on either of the evaluation boards.

*Telephone cables are available in several different formats, some of them reverse the pin connections.

It's safest to use only a flat type cable, because it is the easiest to visually check.

The requirements for the cable are:

- i) It must have at least 4 conductors. It's best to use only 4 core and to avoid 6 core versions because 6-core versions normally reverse the pin connections.
- ii) Flat cables will be identified EITHER by a small raised ridge or by writing on one of their flat sides. Check that this raised or marked side enters the RJ11 plugs in a DIFFERENT way at each end of the cable. So, it will be on the side with the gold conductors visible at one end, and on the side with the plastic latch visible on the other plug. This method of assembly gives 'pin-to-pin' linking, the core joins pin 1 to pin 1 etc. of the plugs.

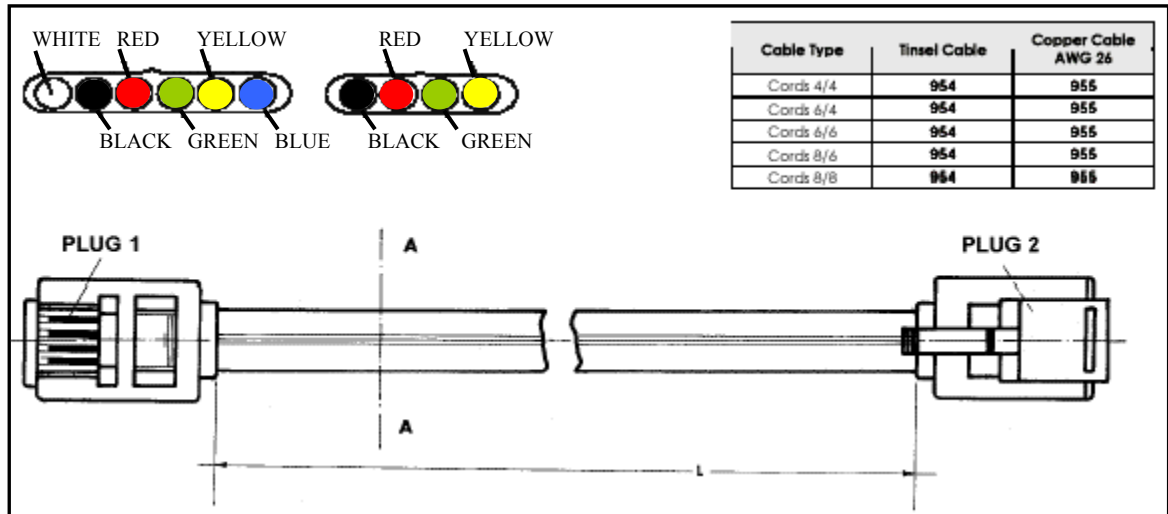


Figure 27. RJ11 Phone Cable Connector

In this example one P82B96 takes its nominal 9 V supply from the board that has JP171 fitted. That 9 V supply is transmitted over the telephone cable to provide the Vcc supply for the other P82B96. The logic voltage level used on the phone cable is 9 V, the combined pull-up resistor is 1 k Ω equivalent value. This provides increased noise immunity for these signals, permitting longer, unshielded, bus wiring.

It is also possible to transfer power between two evaluation boards via the telephone cable connection. To try this option, re-fit the jumper J172 on the second board, so J172 is present on both boards, and fit only one plug-pack to one of the boards. Both boards will operate because the 9 V supply is transferred over the cable.

3. Evaluation board provides a buffered, 5 V, standard I²C output.

- a) Ensure the NC jumper JP173 is fitted.
- b) Leave the NC jumper JP172 in place.
- c) Connect the plug-pack to the evaluation board.
- d) Drive the 3.3 V I²C bus in the usual way at CN1 or CN2 of the evaluation board.

In this case the 3.3 V SDA/SCL signals are repeated, at 5 V logic levels with a 2 K Ω pull-up resistor, on the RJ11 connector and on JP174. These bus signals may be connected to any standard external I²C devices. The 5 V supply on the RJ11 connector can be used to power these chips, provided the total 5 V current drain does not exceed the dissipation limit of the 5 V regulator.

Bus release test:

If JP172 or JP173 is removed, the on-board bus SDA/SCL will not be affected and continued communication to other on-board chips is possible. When the P82B96 has no supply it simply releases all bus I/O pins.

(If JP172/J173 is removed DURING a communication with an off-board chip then there will be no 'acknowledge' and the driving software must take account of that. Off-board chips may require a hardware/software power-on reset procedure when the link is replaced, but on-board devices are not affected).

4. **PC master is connected to the Evaluation board via a 'long' extension cable, using the USB connector input.**

Note this is NOT a true USB input, it is just a convenient hardware connection system.

- a) Ensure the NC jumper JP173 is fitted.
- b) Connect the I2CPORT v2 Adapter Card, using its standard 4-pin header wiring, to the 4-pin header on the USB adapter card ('DEMO BOARD P82B96 MASTER', I²C to USB wiring adapter board) taking care to match the pin functions, SDA to SDA etc.
- c) Use any standard USB cable (not supplied) to connect the USB adapter card to the I2C 2002-1A evaluation board.
- d) The 9 V plug-pack is fitted as usual to the evaluation board.
- e) JP172 may be left in the standard position, connecting 5 V supply to the P82B96.
- f) This 5V supply then powers the USB adapter card and the P82B96 on it. The 5 V bus uses a 2 k Ω pull-up resistor. Alternately JP172 may be removed and jumper JP171 fitted. In this case the P82B96 chips use a 9 V supply and the logic on the USB wiring runs at 9 V levels. In both cases SDA/SCL of the evaluation board run at the standard 3.3 V.

Normal communication with the evaluation board is possible. If an oscilloscope is available, note that when the evaluation board is receiving data from the parallel port adapter the logic 'low' levels on the evaluation board are approximately 0.8 V.

- Illustration: P82B96 waveform

The waveforms show SCL and SDA waveforms.

Note how P82B96 only drives each bus low to 0.75 V.

When PCA9550 acknowledges it pulls a 'normal' low of 0.2 V on the SDA line.

We can see why the P82B96 waveforms help distinguish when the master is driving and the slave responding.

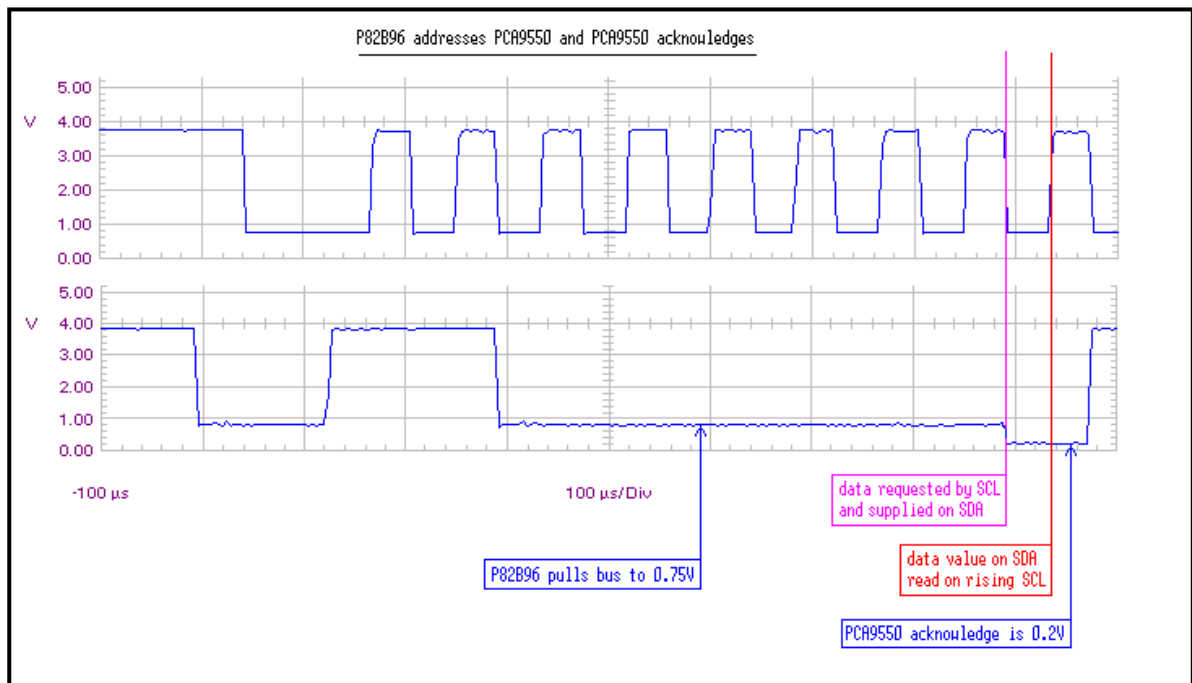


Figure 28. P82B96 waveforms

LM75A

- Software
Device → THERMAL MANAGEMENT → LM75A

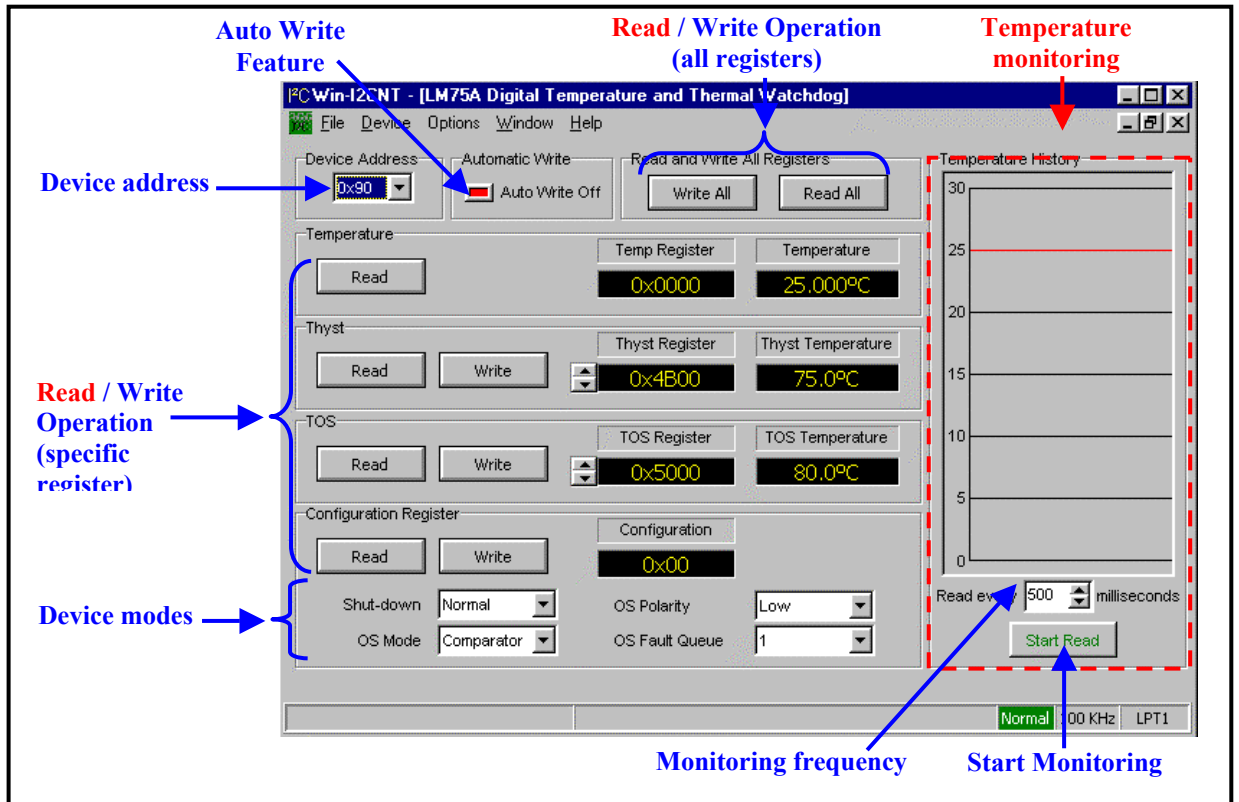


Figure 29. LM75A Control Window

Blue: accessible to programming
Red: status information

- Hardware

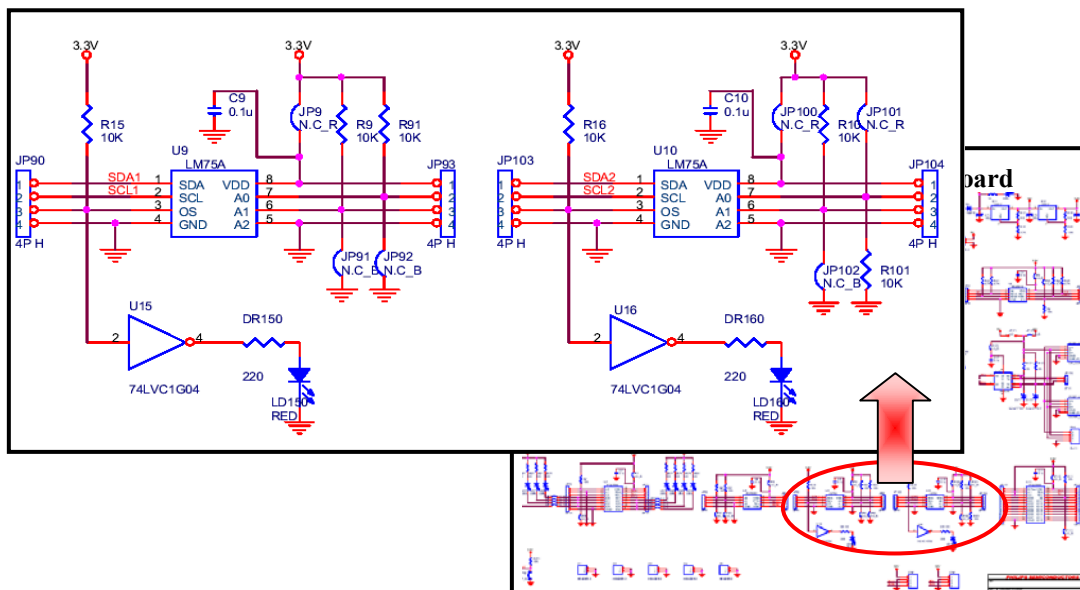


Figure 30. LM75A Schematic

- External Components
 - LD150 and LD160: Used to visualize an over temperature condition.
 - Jumpers and Headers:

JP9	Used to measure the current flowing through V_{DD} Must be CLOSED under other conditions (no measurement)	
JP90 and JP93	Headers to monitor the pins of the LM75A	
JP91	Used to control the programmable address pin A1	
	JP91 CLOSED	A1 is connected to GND (Low logic Level)
	JP91 OPEN	A1 is connected to V_{DD} (High logic Level)
JP92	Used to control the programmable address pin A0	
	JP92 CLOSED	A0 is connected to GND (Low logic Level)
	JP92 OPEN	A0 is connected to V_{DD} (High logic Level)

JP100	Used to measure the current flowing through V_{DD} Must be CLOSED under other conditions (no measurement)	
JP101	Used to control the programmable address pin A0	
	JP101 CLOSED	A0 is connected to V_{DD} (High logic Level)
	JP101 OPEN	A0 is connected to GND (Low logic Level)
JP102	Used to control the programmable address pin A1	
	JP102 CLOSED	A1 is connected to GND (Low logic Level)
	JP102 OPEN	A1 is connected to V_{DD} (High logic Level)
JP103 and JP104	Headers to monitor the pins of the LM75A	

- Default I²C address
 Note: I²C address can be modified by changing the voltage values on pin A0 and A1 (JP91 and JP92 for LM75A_1, JP101 and JP102 for LM75A_2) with:
 - A0 = 1 when JP92 is open for LM75A_1
 - A0 = 0 when JP92 is closed for LM75A_1
 - A1 = 1 when JP91 is open for LM75A_1
 - A1 = 0 when JP91 is closed for LM75A_1
 - A0 = 1 when JP101 is closed for LM75A_2
 - A0 = 0 when JP101 is open for LM75A_2
 - A1 = 1 when JP102 is open for LM75A_2
 - A1 = 0 when JP102 is closed for LM75A_2

	Binary	Hexadecimal
LM75A_1 (U9)	1001000	90
LM75A_2 (U10)	1001001	92

- How to program the LM75A
Important note before starting experiments on the LM75A:
The devices are not on the main I²C bus (bus from the Adapter Card) but on PCA9543's downstream channel 0 and 1. To access the LM75, the PCA9543 must be configured with its upstream channel connected to Channel 0 and/or Channel 1.
For more information about how to program the PCA9543, please refer to the section "PCA9543" , paragraph "How to access the downstream devices".
 - Program the device I²C address (Hexadecimal value). Verify that the software I²C address and the device I²C address are the same (jumper JP91 and JP92 for LM75A_1, JP101 and JP102 for LM75A_2)
 - Program the Over Temperature Shutdown register by using the up and down arrows (hexadecimal and equivalent temperature value are displayed)
 - Program the Hysteresis register by using the up and down arrows (hexadecimal and equivalent decimal Hysteresis value are displayed)

4. Program the Configuration register by selecting the different options available (hexadecimal value of the register is displayed)
 5. The 3 registers described above can be separately programmed using the corresponding “Write” pushbutton
 6. The 3 registers described above can be separately read using the corresponding “Read” pushbutton
 7. The monitored temperature can be read using the “Read” pushbutton in the “Temperature” window.
 8. “Write All” pushbutton to program all the registers at the same time
 9. “Read All” pushbutton to read all the registers
 10. “Temperature History” window allows automatic temperature monitoring. A conversion is performed each T_{mon} milliseconds (with T_{mon} programmable by the user) and the temperature history is displayed on the graph. ‘Start Read’ pushbutton starts the monitoring while “Stop Read” stops the monitoring.
 11. “Auto Write” option: when the option is ON (Green), an I²C command is performed each time a change happens in the device control window
- Simple example:
This very simple example will show how to generate an Over Temperature Shutdown , using a finger as the heating source.
 1. LM75A_2 will be used in this example (U10) so PCA9543’s downstream channel 1 needs to be connected to its upstream channel.
Execute the following sequence:
 - a) Device → Multiplexers/Switches → PCA9543
 - b) Verify that Device Address = E4_H
 - c) Check(✓) channel 1 – “X2” is displayed (with X = 0, 1 or 2 or 3)
 - d) Push “Write” pushbutton
 - e) “Transmission Successful” is displayed
 2. LM75A_2 I²C address in this example will be 92_H. Jumper JP101 must be then closed
 3. Execute the following sequence:
 - a) Device → Thermal Management → LM75A
 - b) Program the I²C address to 92_H.
 - c) Program the Over Shutdown Temperature at 29 °C – Use the Up and Down arrows to reach the required value
 - d) Program the Over Shutdown Temperature register by pushing the “Write” pushbutton in the “TOS” section
 - e) Program the Hysteresis Temperature at 28 °C – Use the Up and Down arrows to reach the required value
 - f) Program the Hysteresis Temperature register by pushing the “Write” pushbutton in the “Thyst” section
 - g) Read the temperature register in order to be sure it is well under 28 °C by pushing the “Read” pushbutton in the “Temperature” section
 - h) Start the temperature monitoring by pushing “Start Read” in the “Temperature History” section
 - i) Put one of your fingers in contact with the LM75A_2
 - j) Note the temperature increase in the monitoring window and note that LD160 becomes ON when the temperature becomes higher than 29 °C. If your finger is not “hot enough”, Over Shutdown Temperature (steps c and d) and Hysteresis Temperature (steps e and f) can be decreased
 - k) Remove your finger from the LM75A_2
Note the temperature decrease in the monitoring window and note that LD160 becomes OFF when the temperature becomes lower than 28 °C.

FREQUENTLY ASKED QUESTIONS

Question: Where can I buy the I2C 2002-1A Evaluation Board Kits?

Answer: It is available for purchase at www.demoboard.com

Question: We want to buy 25 I2C 2002-1A Evaluation Board kits for our company. Is there a bulk discount?

Answer: Direct purchase questions to sales@demoboard.com

ADDITIONAL INFORMATION

The latest datasheets, application notes, IBIS models and sample request for Philips Semiconductors SMBus/I²C products can be found at the Philips Semiconductors website:
<http://www.philipslogic.com/i2c>

Software tools for most of Philips' products can be found at:
<http://www.demoboard.com>

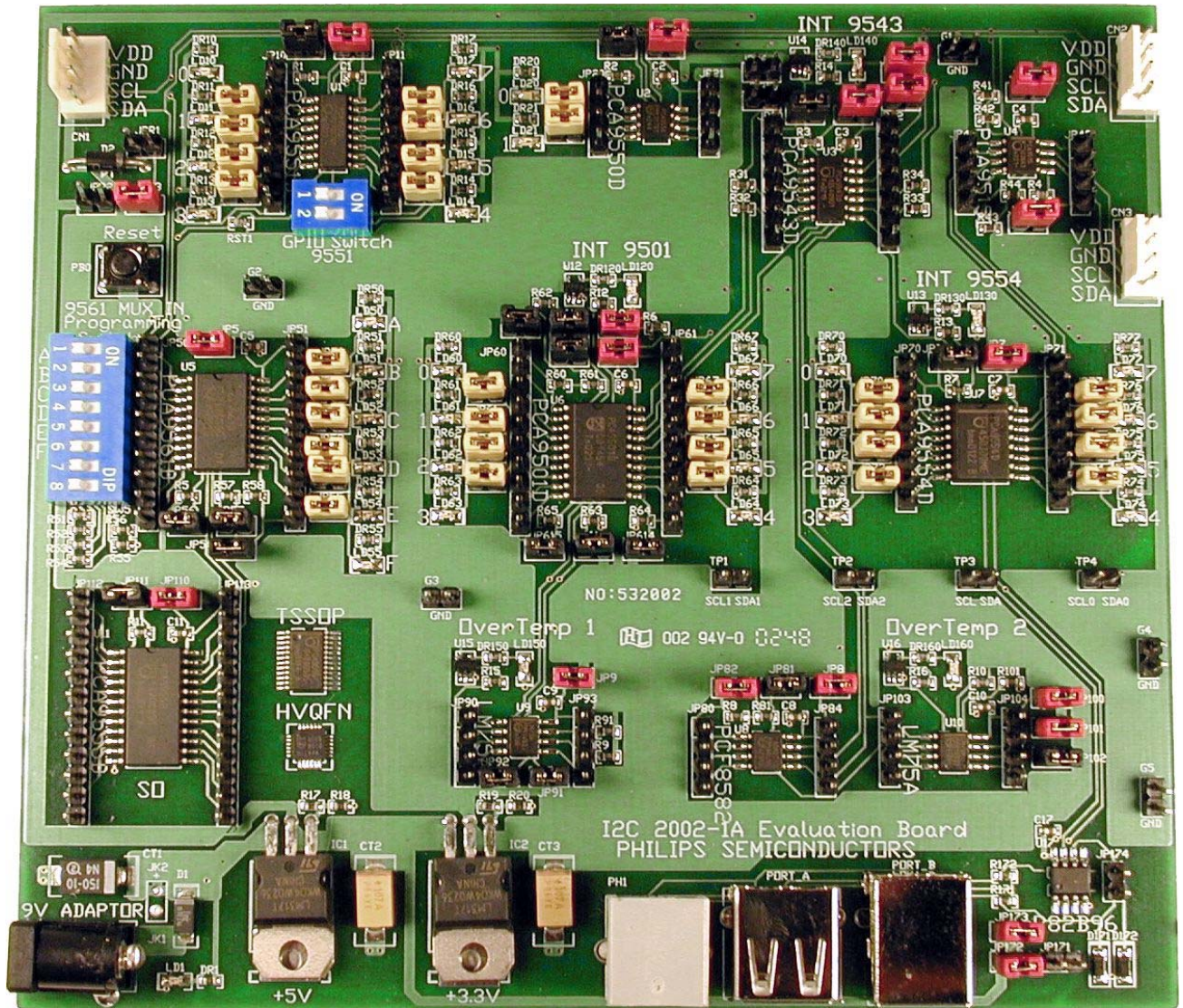
Additional technical support for Evaluation Board can be provided by e-mailing the question to The Boardshop at support@demoboard.com or to Philips at pc.mb.svl@philips.com

APPENDIX 1 - I2C 2002-1A EVALUATION BOARD BILL OF MATERIAL

BOM-DIP		
CN1-3	HEADER 4P	3
TP1-4,G1-5	HEADER 2P	9
JPR1-2,35-36,171	HEADER 2P	5
JP1-9,33-34,40,69,82, 100-101,110,172-173	HEADER 2P+JP RED	20
JP19,23,31,56-58,78,81, 91-92,102,111,610-615	HEADER 2P+JP BLACK	18
JP174	HEADER 2P	1
LJP10-17,20-21,50-55,60-67,70-77	HEADER 2P+JP YELLOW	32
JP10-11,70-71	HEADER 8P	4
JP20-21,41-42,80,84,90,93,103-104	HEADER 4P	10
JP30,32	HEADER 7P	2
JP50-51,60-61	HEADER 10P	4
JP112-113	HEADER 12P	2
JK1	DC JACK 9V	1
PB0	P_B TC-0102	1
PH1	RJ11	1
PORT_A	USB DOWN-CONN 90	1
PORT_B	USB UP-CONN 90	1
SW1	SW DIP-2	1
SW5	SW DIP-8	1
D2	1N4001	1
IC1-2	LM317(1.5A)	2
LD1,11,15,50-55,60-67,70-77	LED-GRN	25
LD10,14,120,130,140,150,160	LED-RED	7
LD16,12	LED-YEL	2
LD17,13	LED-ORG	2
LD20	LED-WHT	1
LD21	LED-BLU	1

BOM-SMD		
CT1	E/C 150U	1
CT2-3	E/C 100U	2
C1-11,17	C0.1U SMD	12
DR1	R1K 5% SMD(0603)	1
DR10-17,20-21	R270 5% SMD(0603)	10
DR50-55,60-67,70-77, 120,130,140,150,160	R220 5% SMD(0603)	27
D1	SK14	1
D171-172	SD103AW	2
RST1,R1-16,31-34,51-58, 60-65,81,91,10	R10K 5% SMD(0603)	38
R17,19	R910 5% SMD(0603)	2
R18	R2.7K 5% SMD(0603)	1
R20	R1.5K 1% SMD(0603)	1
R41-44	R4.7K 5% SMD(0603)	4
R171-172	R2K 5% SMD(0603)	2
U1	PCA9551	1
U2	PCA9550	1
U3	PCA9543	1
U4	PCA9515	1
U5	PCA9561	1
U6	PCA9501	1
U7	PCA9554	1
U8	PCF8582	1
U9-10	LM75A	2
U11	PCA9555(SO/TSSOP/HVQF)	3
U12-16	74LVC1G04	5
U17	P82B96	1

APPENDIX 2 - I2C 2002-1A EVALUATION BOARD PICTURE



Mouser Electronics

Authorized Distributor

Click to View Pricing, Inventory, Delivery & Lifecycle Information:

[NXP:](#)

[OM6278](#)