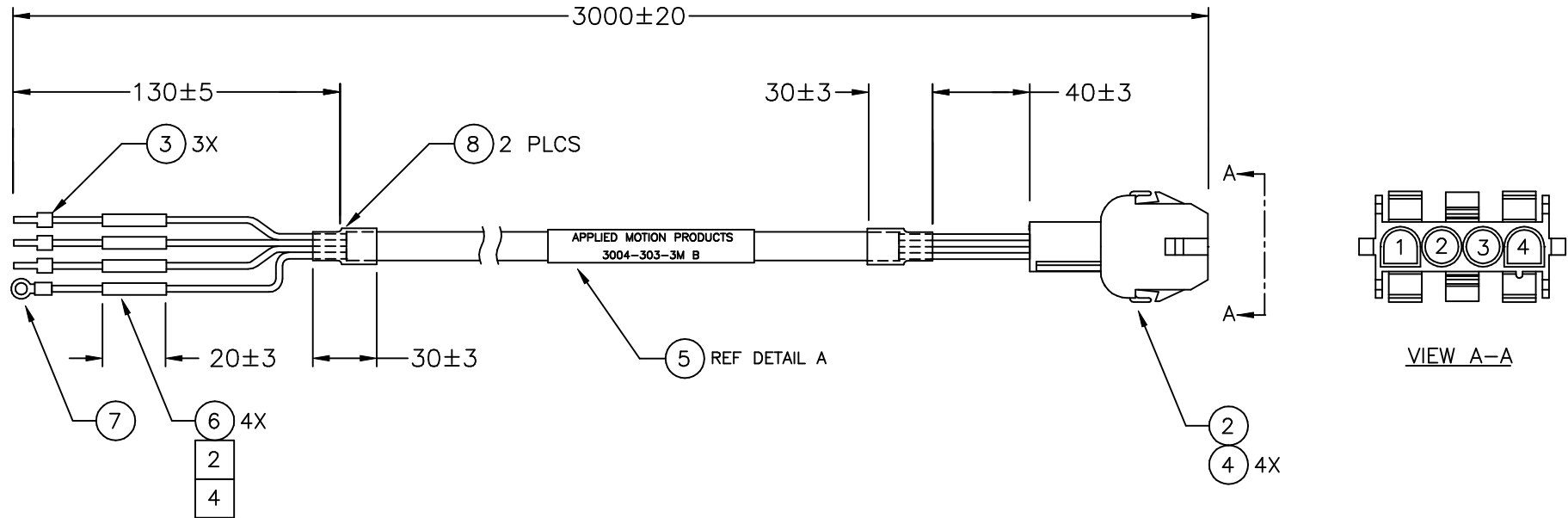


NOTES: UNLESS OTHERWISE SPECIFIED

1. THIS CABLE IS MANUFACTURED IN COMPLIANCE WITH THE CURRENT EC RoHS DIRECTIVE.
2. MARK EACH LABEL WITH SIGNAL NAME SHOWN IN CABLE CONNECTOR TABLE.
3. CABLE TO BE 4 CONDUCTORS, 18 AWG, UL 2517 RATED, 300V.
4. SHIELD TO BE CONNECTED TO GROUND WIRE.

REVISIONS			
REV	DESCRIPTION	DATE	APPROVED
A	INITIAL RELEASE ECO 7143	3/2/15	J KORDIK
B	REVISE RoHS NOTE PER ECO 7451	6/13/16	J KORDIK



LABEL NOMENCLATURE
DETAIL A

APPLIED MOTION PRODUCTS
3004-303-3M B

CABLE/CONNECTOR TABLE		
PIN NO	LEAD COLOR	SIGNAL 2
1	RED	U
2	YELLOW	V
3	BLUE	W
4	YEL/GRN	PE
DRAIN	BLACK	SHLD/GND

8	2	FIT 221-3/8-BLK	SHRINK TUBING, DIA 3/8 IN, LENGTH AS NEEDED	ALLIED
7	1	34105	RING TERMINAL, #6 STUD, UNINSULATED	AMP OR EQUIVALENT
6	4	LAT-15-361-1	LABEL, IDENTIFICATION, SMALL	BRADY OR EQUIVALENT
5	1	LAT-27-361	LABEL, IDENTIFICATION	BRADY OR EQUIVALENT
4	4	350570-1	CONTACT, CRIMP	TE OR EQUIVALENT
3	3	E1008	TERMINAL, WIRE END	KST
2	1	350780-1	CONN., 4 POS	TE OR EQUIVALENT
1	1	666-2109	CABLE, 4 CONDUCTOR (WASATCH OR EQUIV.)	WASATCH / MOONS'
ITEM NO.	QTY REQD	PART OR IDENTIFYING NO.	NOMENCLATURE OR DESCRIPTION	MFG.

J0400-355-4-000
J0400-305-4-000
J0400-354-4-000
J0400-304-4-000

USED ON

COMPUTER DATA
BASE DRAWING

TOLERANCES		THIRD ANGLE PROJECTION	
APPROVALS		DATE	
DRAWN <i>R.JONEZ</i>		3/2/15	
CHECKED			
APPROVED			



**POWER CABLE - 400 WATT
J-SERIES SERVO MOTORS**

B DWG NO. 3004-303-3M B REV B

SCALE: NONE

SHEET 1 OF 1

Mouser Electronics

Authorized Distributor

Click to View Pricing, Inventory, Delivery & Lifecycle Information:

[Applied Motion:](#)

[3004-303-3M](#)