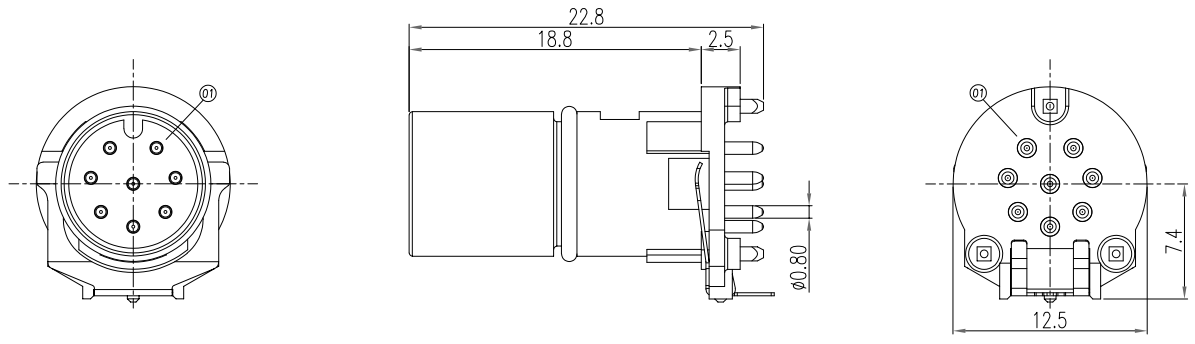


**SPECIFICATIONS:**

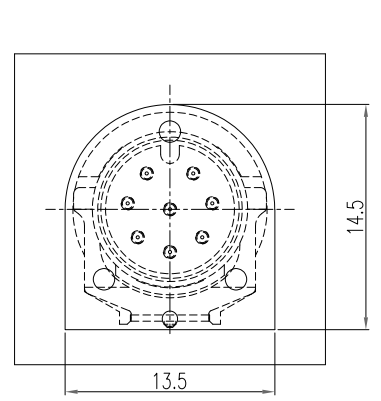
**MATERIALS:**  
 HOUSING: PA9T, UL94 V-0, BLACK  
 CONTACTS: GOLD FLASH PLATED BRASS  
 GROUND: NICKEL PLATED PHOSPHOR BRONZE  
 ORING: VITON  
 CAP: PA66

**ELECTRICAL:**  
 RATED CURRENT: 2A  
 RATED VOLTAGE: 30V  
 INSULATION RESISTANCE: 100 MOhms MIN.  
 CONTACT RESISTANCE: 10 mOhms MAX.

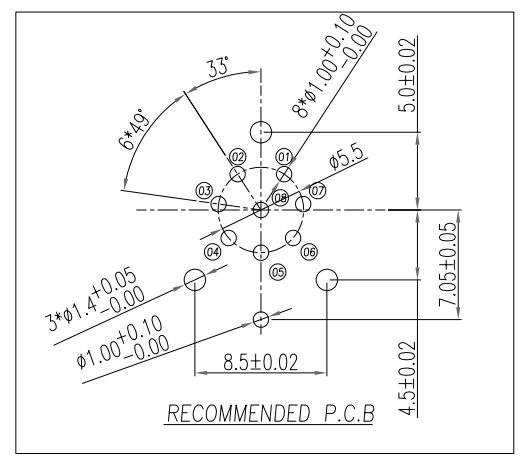
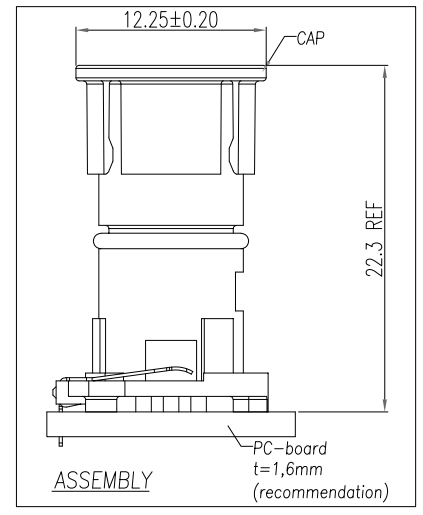
**ENVIRONMENT:**  
 OPERATING TEMPERATURE: -40°C TO +85°C  
 WATER PROOF: IP67 (Mated Condition)



**MUST PURCHASE PART NUMBER "862-M-SHELL" SEPARATELY**



Component side (front view)  
 Recommended keepout area on the circuit board



**RoHS COMPLIANT**

UNITS = mm

**DO NOT SCALE FROM DRAWING**

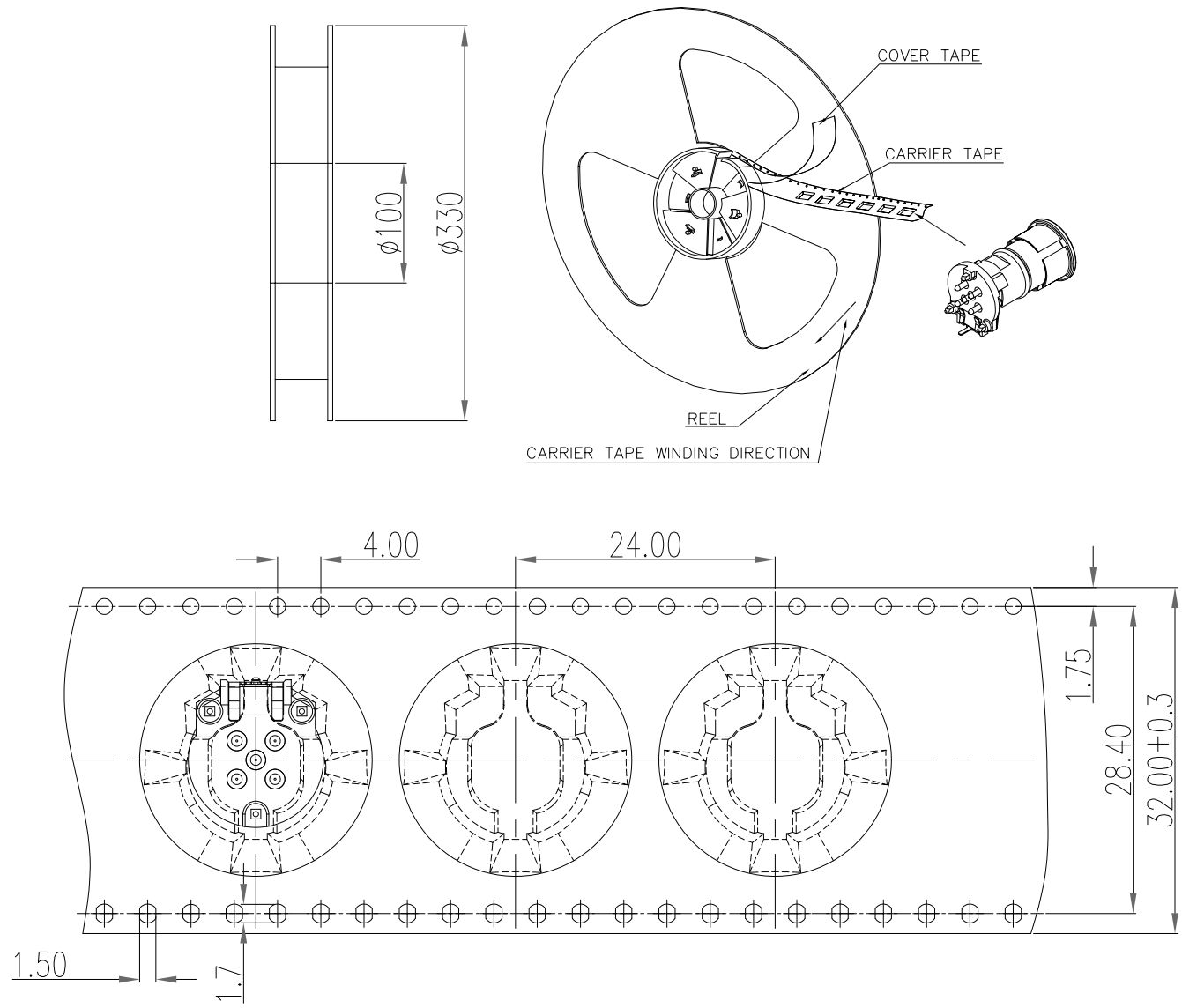


THESE DRAWINGS AND SPECIFICATIONS ARE THE PROPERTY OF NorComp AND SHALL NOT BE REPRODUCED, COPIED OR USED AS THE BASIS FOR THE MANUFACTURE OR SALE OF APPARATUS WITHOUT WRITTEN PERMISSION.

DRAWN: J. KADEL  
 DATE: 03/18/2024

**NorComp**

SCALE: NTS	SHEET 1 OF 2	REV 0
DWG NO. 862-008-113R001		



The tape size complies with the (EIA-481-D) specification requirements.

RoHS COMPLIANT

UNITS = mm

DO NOT SCALE FROM DRAWING



THESE DRAWINGS AND SPECIFICATIONS ARE THE PROPERTY OF NorComp AND SHALL NOT BE REPRODUCED, COPIED OR USED AS THE BASIS FOR THE MANUFACTURE OR SALE OF APPARATUS WITHOUT WRITTEN PERMISSION.

DRAWN:  
J. KADEL  
DATE:  
03/18/2024

**NorComp**

SCALE: NTS	SHEET 2	OF 2	REV 0
DWG NO. 862-008-113R001			

# Mouser Electronics

Authorized Distributor

Click to View Pricing, Inventory, Delivery & Lifecycle Information:

[NorComp:](#)

[862-008-113R001](#)