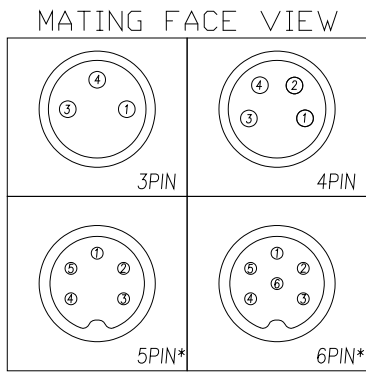
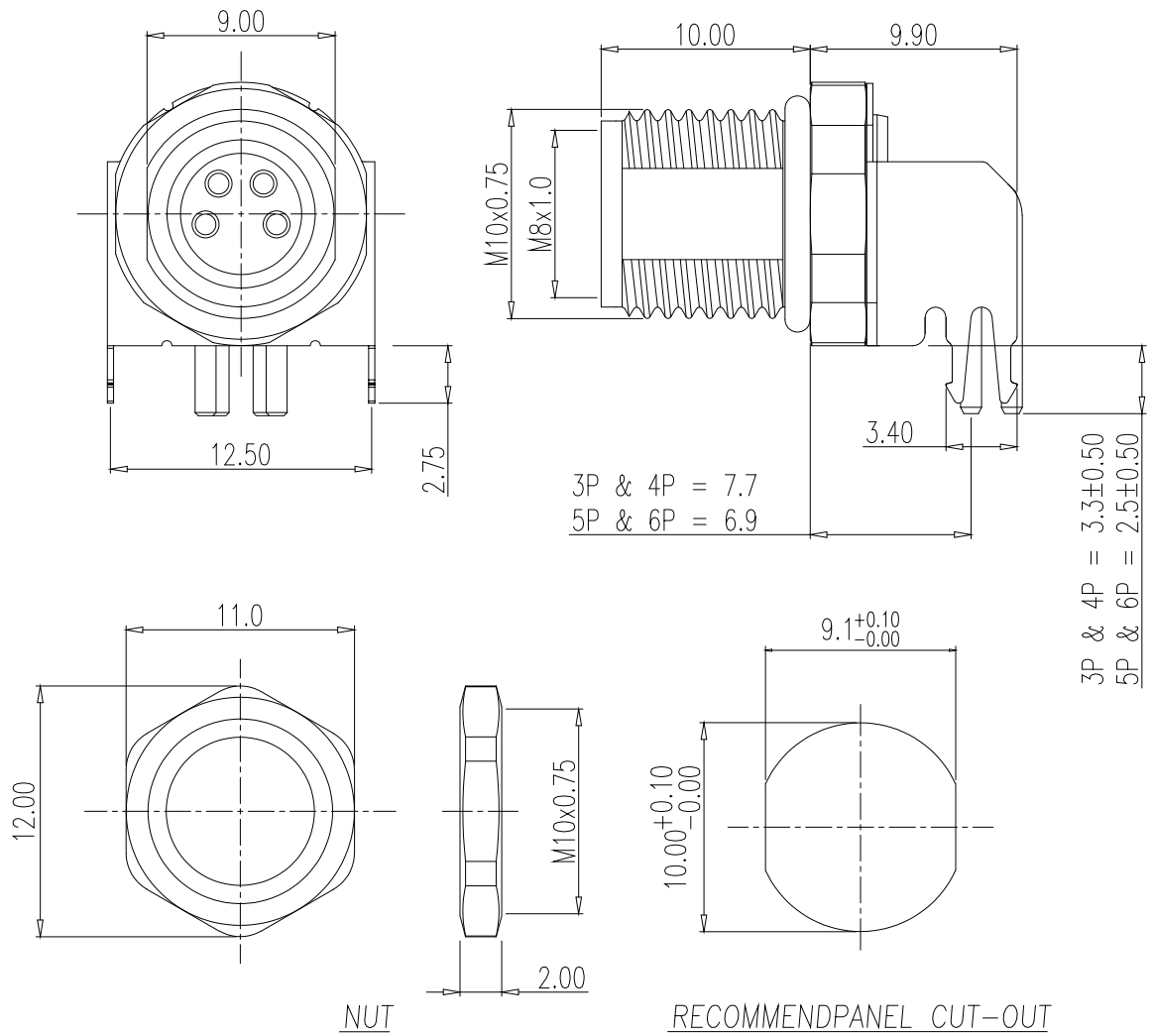


NOTE:

MATERIAL	
HOUSING:	PA66 UL94V-0, BLACK
CONTACT:	BRASS
NUT:	BRASS
SHELL:	BRASS
ORING:	NBR
GROUND:	PHOSPHOR BRONZE
FINISH	
CONTACT:	10u" GOLD PLATED OVER NICKEL
NUT:	NICKEL
SHELL:	NICKEL
GROUND:	BRIGHT TIN
ELECTRICAL	
RATED CURRENT:	1.5A(5/6P) / 3A(3/4P)
RATED VOLTAGE:	30V(5/6P) / 60V(3/4P)
INSULATION RESISTANCE:	100 MΩhms MIN.
CONTACT RESISTANCE:	10 mΩhms MAX.
WATER PROOF:	IP67
ENVIRONMENT	
OPERATION TEMPERATURE:	-40°C TO +85°C



857-YYY-213R004

- 003 = 3 POSITION
- 004 = 4 POSITION
- 005 = 5 POSITION
- 006 = 6 POSITION

*Key not required on mating connector. NorComp M8 5P & 6P male mates do not have key.

RoHS COMPLIANT



THESE DRAWINGS AND SPECIFICATIONS ARE THE PROPERTY OF NorComp AND SHALL NOT BE REPRODUCED, COPIED OR USED AS THE BASIS FOR THE MANUFACTURE OR SALE OF APPARATUS WITHOUT WRITTEN PERMISSION.

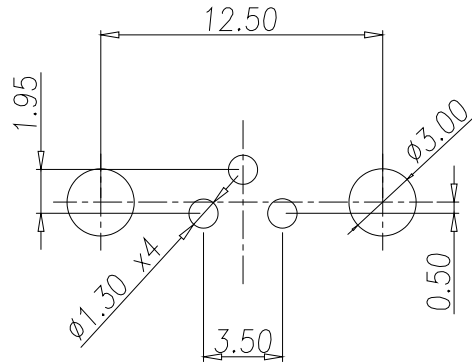
DRAWN:
J. KADEL
DATE:
06/21/2021

UNITS = mm

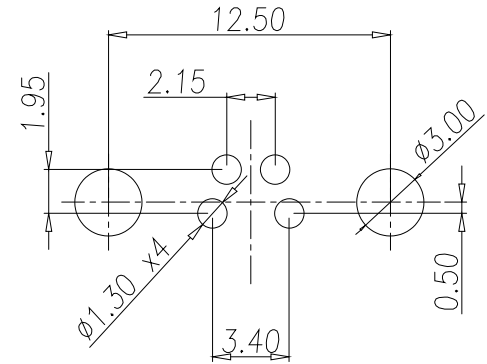
DO NOT SCALE FROM DRAWING

NorComp

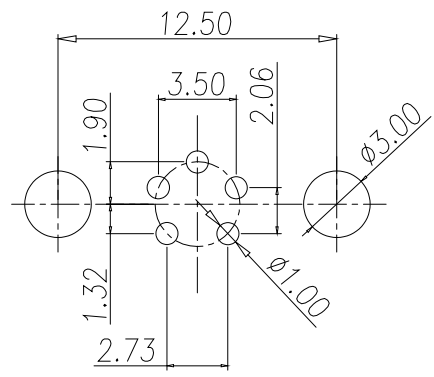
SCALE: NTS	SHEET 1 OF 2	REV 3
DWG NO. 857-YYY-213R004		



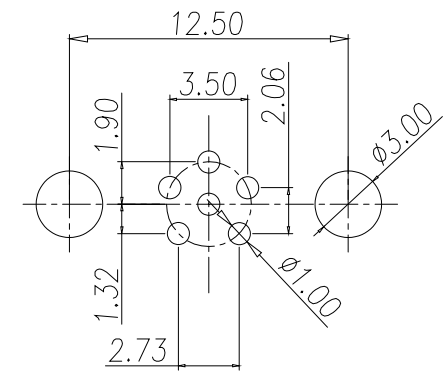
3P P.C.B LAYOUT



4P P.C.B LAYOUT



5P P.C.B LAYOUT



6P P.C.B LAYOUT

RoHS COMPLIANT

UNITS = mm

DO NOT SCALE FROM DRAWING



THESE DRAWINGS AND SPECIFICATIONS ARE THE PROPERTY OF NorComp AND SHALL NOT BE REPRODUCED, COPIED OR USED AS THE BASIS FOR THE MANUFACTURE OR SALE OF APPARATUS WITHOUT WRITTEN PERMISSION.

DRAWN:
J. KADEL
DATE:
06/21/2021

NorComp

SCALE: NTS	SHEET 2 OF 2	REV 3
DWG NO. 857-YYY-213R004		

Mouser Electronics

Authorized Distributor

Click to View Pricing, Inventory, Delivery & Lifecycle Information:

[NorComp:](#)

[857-004-213R004](#) [857-006-213R004](#) [857-003-213R004](#) [857-005-213R004](#)