

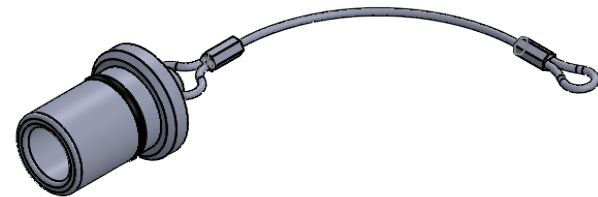
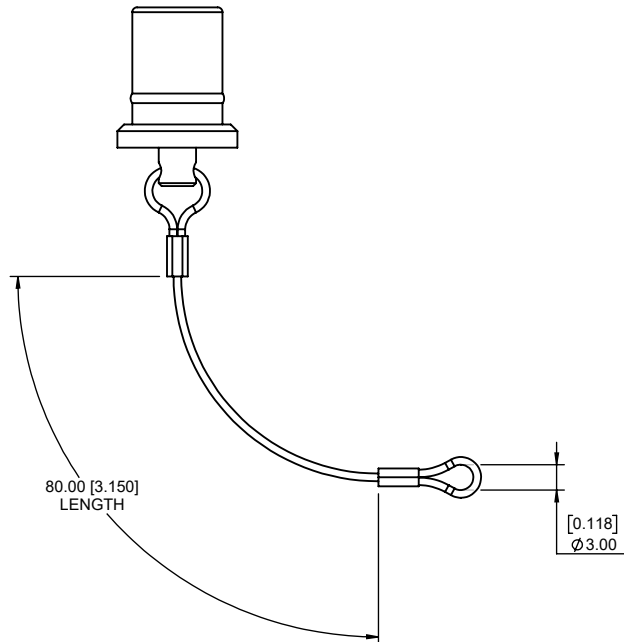
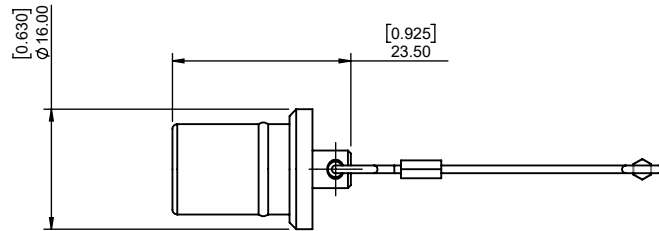
****NOTE: THIS DUST CAP FITS FEMALE 821K CONNECTORS**

CHARACTERISSTICS

MATERIALS

BODY: BRASS
 BODY PLATING: NICKEL
 LANYARD: STAINLESS STEEL
 O-RING: SILICONE RUBBER
 MAXIMUM OPERATING TEMPERATURE: 135°C

IP RATING: 67



RoHS COMPLIANT



THESE DRAWINGS AND SPECIFICATIONS ARE THE PROPERTY OF NorComp AND SHALL NOT BE REPRODUCED, COPIED OR USED AS THE BASIS FOR THE MANUFACTURE OR SALE OF APPARATUS WITHOUT WRITTEN PERMISSION.

NorComp

DRAWN: M. SIGMON	DATE: 04-06-15	SCALE: N.T.S.	SHEET 1	OF 1	REV: 0
			DWG NO. 821K-DC		

Mouser Electronics

Authorized Distributor

Click to View Pricing, Inventory, Delivery & Lifecycle Information:

[NorComp:](#)

[821K-DC](#)