

ELECTRICAL:

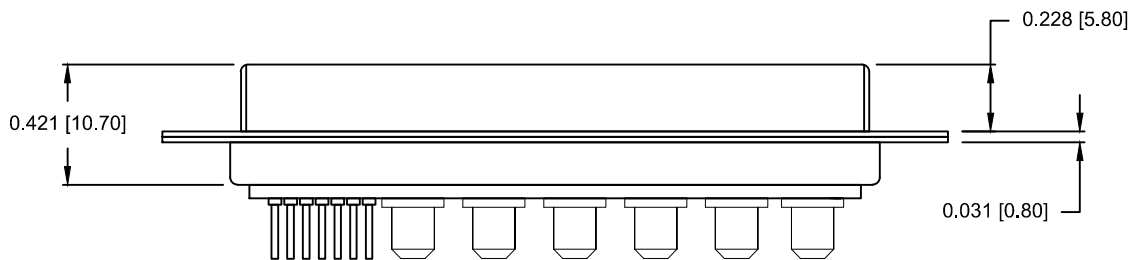
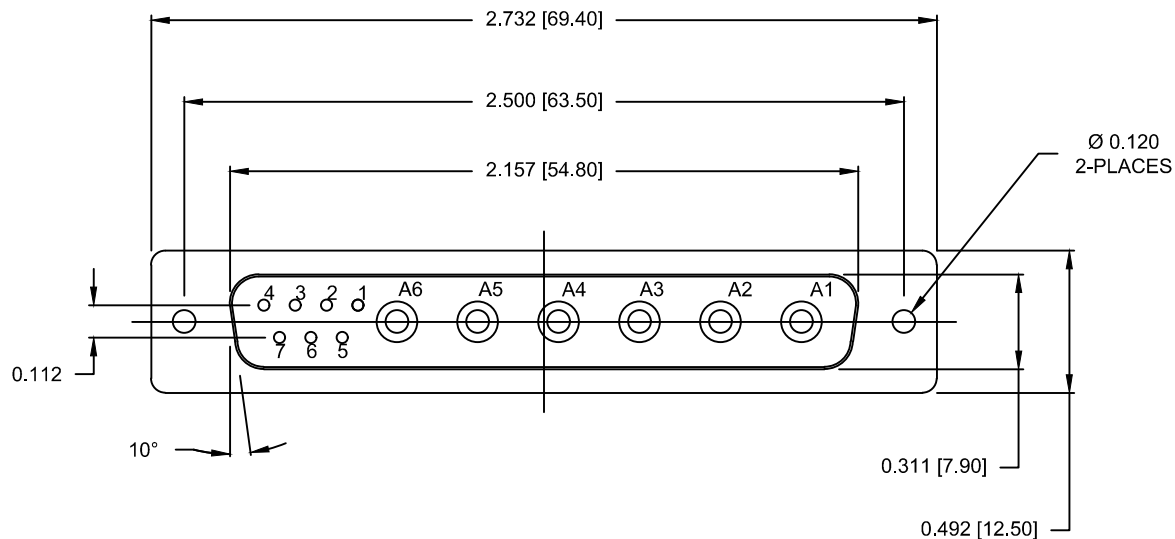
INSULATOR RESISTANCE: 5 GΩ MIN.  
 WORKING VOLTAGE: 250V  
 OPERATING TEMPERATURE: -55°C TO +125°C  
 POWER CONTACT RESISTANCE: 1.0 mΩ MAX.  
 SIGNAL CONTACT RESISTANCE: 10 mΩ MAX.  
 POWER CONTACT AMPERAGE: SEE P/N KEY  
 SIGNAL CONTACT AMPERAGE: 5 AMPS

MECHANICAL:

CONTACT INSERTION FORCE: 4.5 Kg MAX.  
 CONTACT SEPARATION FORCE: 0.3 Kg MIN.

MATERIALS:

CONTACTS: COPPER ALLOY, GOLD FLASH  
 INSULATOR: PBT UL94V-0 RATED  
 230°C PROCESS TEMP.  
 SHELL: NICKEL PLATED STEEL  
 BRACKET: NICKEL PLATED STEEL  
 BOARD LOCK: NICKEL PLATED BRASS



SEE SHEET 2  
FOR CONTACT DIMENSION DETAILS

# 681M13W6203LYYY

0 = 40 AMP POWER // STANDARD PCB TAILS  
 1 = 40 AMP POWER // 2.22mm PCB TAILS  
 2 = 20 AMP POWER // STANDARD PCB TAILS

0 = NO HARDWARE  
 1 = 0.098" CN PCB SIDE  
 2 = 0.236" CN PCB SIDE  
 3 = 0.236" CN MATING SIDE  
 4 = 0.237" BOARDLOCK PCB SIDE  
 5 = 0.224" BOARDLOCK PCB SIDE

1 = GOLD FLASH

RoHS COMPLIANT

UNITS = inches [mm]

DO NOT SCALE FROM DRAWING



THESE DRAWINGS AND SPECIFICATIONS ARE THE PROPERTY OF NorComp AND SHALL NOT BE REPRODUCED, COPIED OR USED AS THE BASIS FOR THE MANUFACTURE OR SALE OF APPARATUS WITHOUT WRITTEN PERMISSION.

DRAWN:  
M. SIGMON

DATE:  
07/19/2013

NorComp

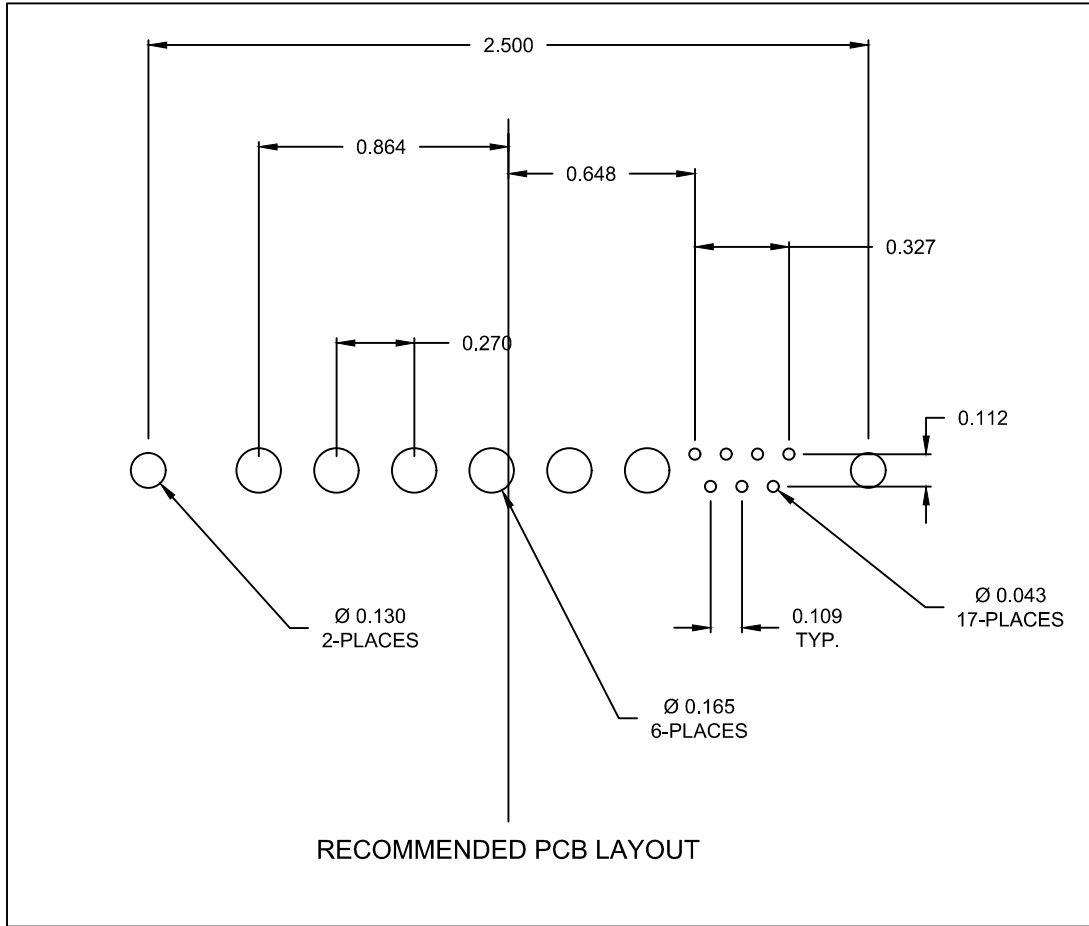
SCALE:  
NTS

SHEET 1 OF 3

REV 2

DWG NO.

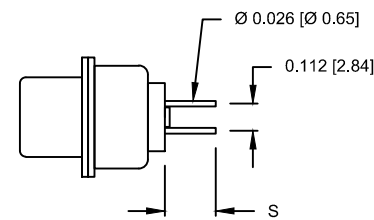
681M13W6203LYYY



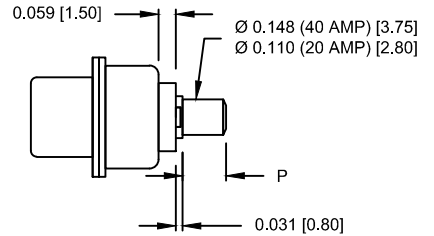
NOTE:  
SIGNAL AND POWER CONTACTS  
COME PRE-LOADED INTO INSULATORS

DIMENSIONS(in/mm)		
OPTION	S	P
0 & 2	0.218	0.177
	5.55	4.50
1	0.118	0.087
	3.02	2.22

SIGNAL CONTACTS



POWER CONTACTS



RoHS COMPLIANT

UNITS = inches [mm]

DO NOT SCALE FROM DRAWING



THESE DRAWINGS AND SPECIFICATIONS ARE THE PROPERTY OF NorComp AND SHALL NOT BE REPRODUCED, COPIED OR USED AS THE BASIS FOR THE MANUFACTURE OR SALE OF APPARATUS WITHOUT WRITTEN PERMISSION.

DRAWN:  
M. SIGMON

DATE:  
07/19/2013

NorComp

SCALE:  
NTS

SHEET 2 OF 3

REV 2

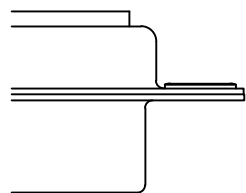
DWG NO.

681M13W6203LYYY

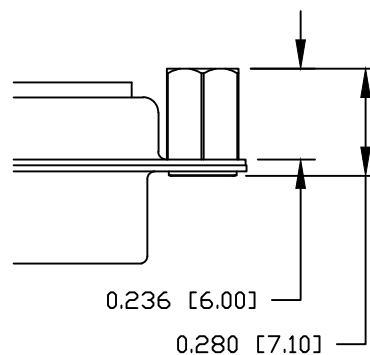
ALL CLINCH-NUTS ARE 4-40 INTERNAL THREADS

TOLERANCE:  
ALL DIMENSIONS ARE ±0.010

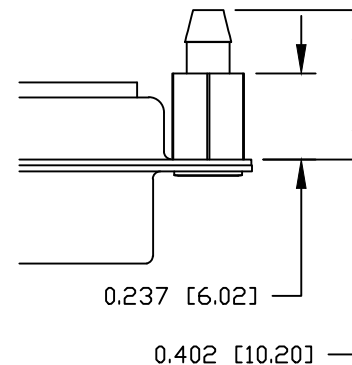
0 ..... NO HARDWARE



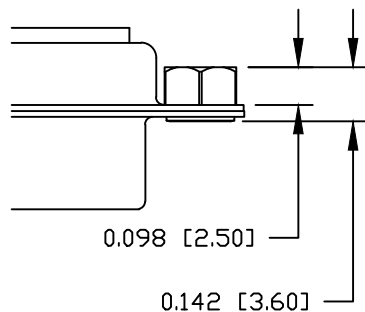
2 ..... 0.236" PCB SIDE



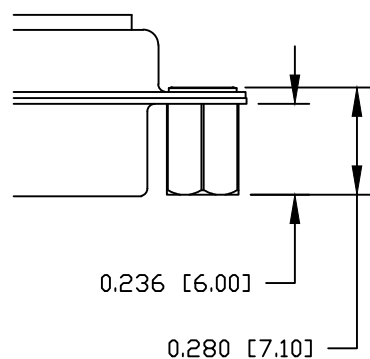
4 ..... 0.237" PCB SIDE



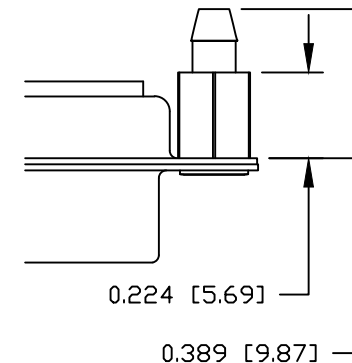
1 ..... 0.098" PCB SIDE



3 ..... 0.236" MATING SIDE



5 ..... 0.224" PCB SIDE



RoHS COMPLIANT

UNITS = inches [mm]

DO NOT SCALE FROM DRAWING



THESE DRAWINGS AND SPECIFICATIONS ARE THE PROPERTY OF NorComp AND SHALL NOT BE REPRODUCED, COPIED OR USED AS THE BASIS FOR THE MANUFACTURE OR SALE OF APPARATUS WITHOUT WRITTEN PERMISSION.

DRAWN:  
M. SIGMON

DATE:  
07/19/2013

*NorComp*

SCALE:  
NTS

SHEET OF  
3 3

REV  
2

DWG NO.

681M13W6203LYYY

# Mouser Electronics

Authorized Distributor

Click to View Pricing, Inventory, Delivery & Lifecycle Information:

[NorComp:](#)

[681M13W6203L001](#)