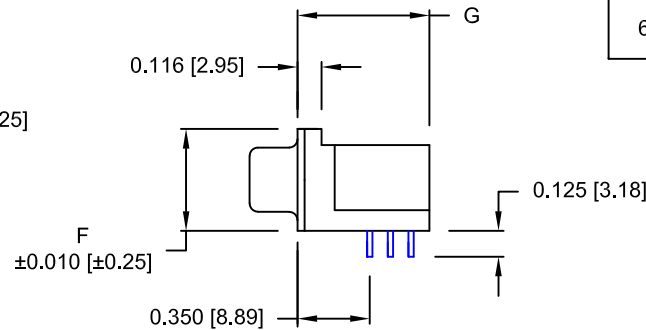
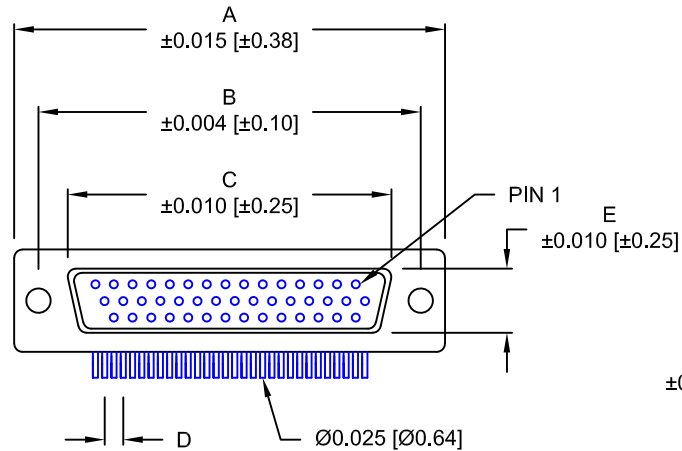


DESCRIPTION: HIGH DENSITY - FEMALE - RIGHT ANGLE

44 PIN SHOWN

DIMENSIONS (IN.)							
No. OF PINS	A	B	C	D	E	F	G
15	1.213	0.984	0.644	0.090	0.311	0.496	0.639
	30.80	24.99	16.34	2.29	7.90	12.60	16.23
26	1.543	1.312	0.966	0.090	0.311	0.496	0.639
	39.19	33.32	24.53	2.29	7.90	12.60	16.23
44	2.087	1.852	1.512	0.090	0.311	0.496	0.639
	53.00	47.04	38.40	2.29	7.90	12.60	16.23
62	2.732	2.500	2.156	0.095	0.311	0.496	0.639
	69.30	63.50	54.76	2.41	7.90	12.60	16.23



181-YYY-2 1 3 R YY 1

SERIES \_\_\_\_\_  
 POSITIONS \_\_\_\_\_  
 015 \_\_\_\_\_  
 026 \_\_\_\_\_  
 044 \_\_\_\_\_  
 062 \_\_\_\_\_  
 GENDER \_\_\_\_\_  
 2 = FEMALE  
 TERMINATION \_\_\_\_\_  
 1 = DIP SOLDER  
 SHELL PLATING \_\_\_\_\_  
 3 = NICKEL PLATED  
 RoHS COMPLIANT \_\_\_\_\_  
 (HIGH TEMP. PROCESS)  
 HARDWARE OPTIONS \_\_\_\_\_  
 16 =  $\emptyset$  0.120 HOLE / INSIDE GND STRAPS  
 17 = 4-40 INSERTS / INSIDE GND STRAPS  
 18 = 4-40 SCREWLOCKS / INSIDE GND STRAPS  
 43 =  $\emptyset$  0.120 HOLE / METAL SHELL  
 45 = 4-40 INSERTS / METAL SHELL  
 48 = 4-40 SCREWLOCKS / METAL SHELL  
 53 = 4-40 INSERTS / BOARDLOCKS  
 55 =  $\emptyset$  0.120 HOLE / BOARDLOCKS  
 56 = 4-40 SCREWLOCKS / BOARDLOCKS  
 PLATING OPTIONS \_\_\_\_\_  
 1 = GOLD FLASH  
 2 = 30u" GOLD PLATING

**ELECTRICAL:**

CURRENT RATING: 3 AMPS  
 CONTACT RESISTANCE: 15 MilliOhms Max.  
 INSULATION RESISTANCE: 1,000 MEGOhms Min. at 500 VDC  
 DIELECTRIC WITHSTANDING VOLTAGE: 1,000 VAC FOR 1 MINUTE  
 WORKING VOLTAGE: 250 VAC  
 TEMPERATURE: -55°C TO +105°C

**MATERIALS:**

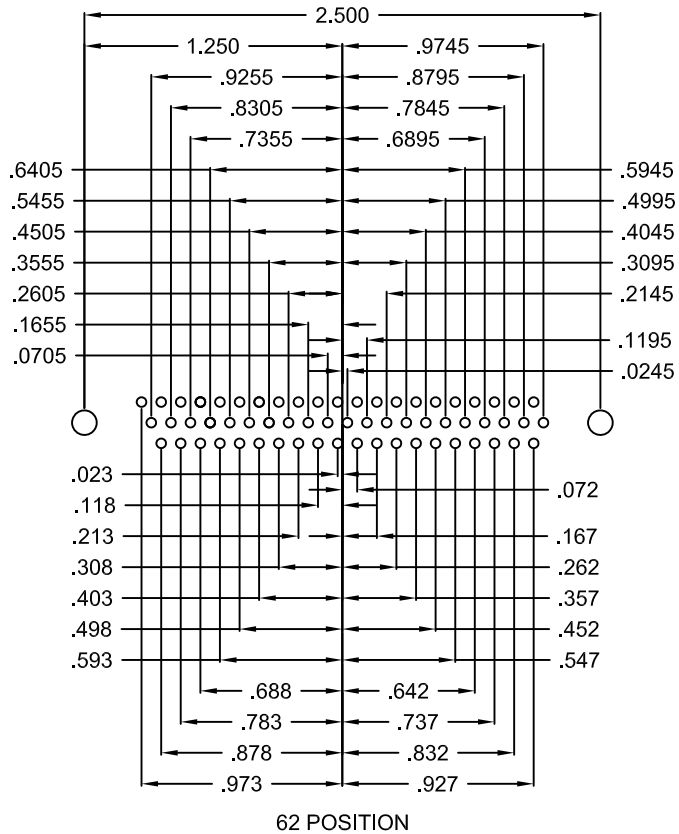
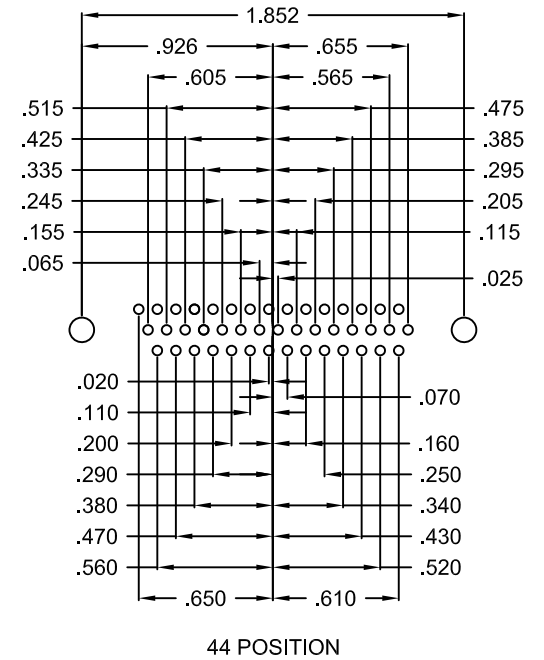
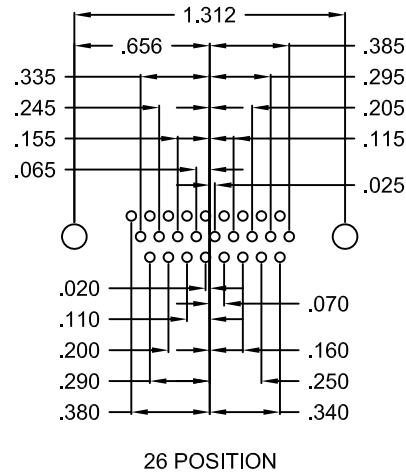
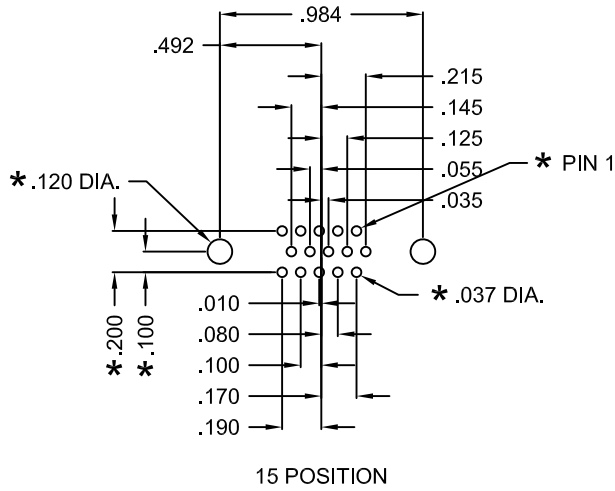
SHELL: SPCC, NICKEL PLATED  
 INSULATOR: PA9T-BLACK (UL94-0)  
 260°C PROCESS TEMPERATURE  
 CONTACT: BRASS, GOLD ENTIRE CONTACT  
 RIVET: COPPER ALLOY, NICKEL PLATED  
 BOARDLOCK: SPCC, TIN PLATED  
 SCREWLOCK: ZINC ALLOY, NICKEL PLATED

DO NOT SCALE FROM DRAWING

	THESE DRAWINGS AND SPECIFICATIONS ARE THE PROPERTY OF NorComp AND SHALL NOT BE REPRODUCED, COPIED OR USED AS THE BASIS FOR THE MANUFACTURE OR SALE OF APPARATUS WITHOUT WRITTEN PERMISSION.		DRAWN: PAM JENKINS	DATE: 3-15-05
				CHECKED:
<h1>NorComp</h1>			SCALE:	SHEET 1 OF 3
			DWG NO. 181-YYY-213RYY1	

RoHS COMPLIANT

DESCRIPTION: PCB LAYOUT - RIGHT ANGLE - FEMALE



181 SERIES  
HIGH DENSITY  
RIGHT ANGLE

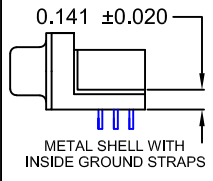
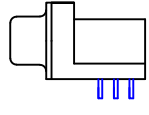
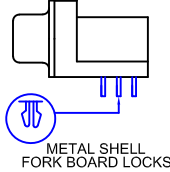
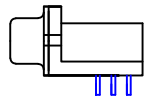
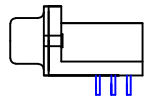
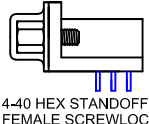
HOLE PATTERN SHOWN  
ARE FOR FEMALE

\* TYP. ON ALL SIZES

DO NOT SCALE FROM DRAWING

	THESE DRAWINGS AND SPECIFICATIONS ARE THE PROPERTY OF NorComp AND SHALL NOT BE REPRODUCED, COPIED OR USED AS THE BASIS FOR THE MANUFACTURE OR SALE OF APPARATUS WITHOUT WRITTEN PERMISSION.		DRAWN: C. SMITH	DATE: 03-09-06	
	<h1>NorComp</h1>			CHECKED:	DATE:
SCALE: FULL				SHEET 2 OF 3	REV 16
DWG NO. 181-YYY-213RYY1					

DESCRIPTION: HIGH DENSITY R/A HARDWARE OPTIONS

			
	16	43	55
	17	45	53 BOARD LOCKS
	18	48	56 BOARD LOCKS



THESE DRAWINGS AND SPECIFICATIONS ARE THE PROPERTY OF NorComp AND SHALL NOT BE REPRODUCED, COPIED OR USED AS THE BASIS FOR THE MANUFACTURE OR SALE OF APPARATUS WITHOUT WRITTEN PERMISSION.

DRAWN: WAYNE ROBBINS DATE: 3-17-05

CHECKED: DATE:

# NorComp

SCALE: SHEET 3 OF 3 REV 16

DWG NO. 181-YYY-213RYY1

## RoHS COMPLIANT

# Mouser Electronics

Authorized Distributor

Click to View Pricing, Inventory, Delivery & Lifecycle Information:

[NorComp:](#)

[181-026-213R181](#) [181-015-213R161](#) [181-044-213R481](#) [181-015-213R181](#) [181-026-213R161](#) [181-062-213R481](#)  
[181-044-213R181](#)