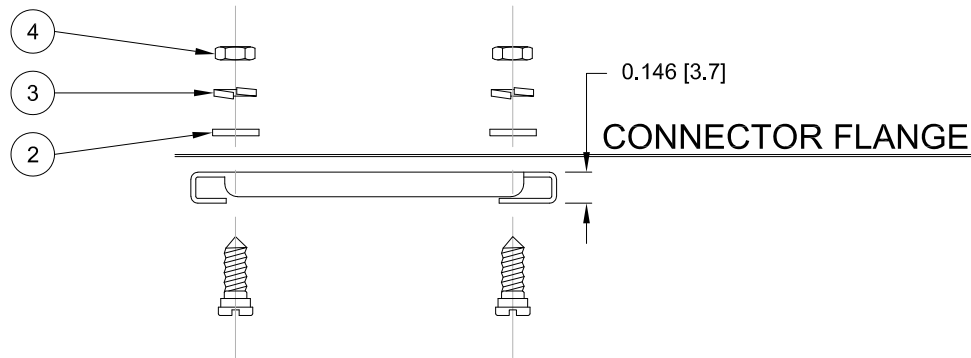
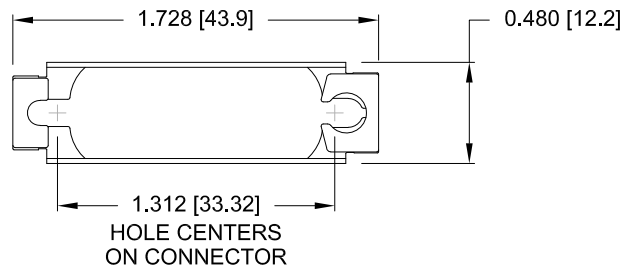


MATERIALS AND FINISH:

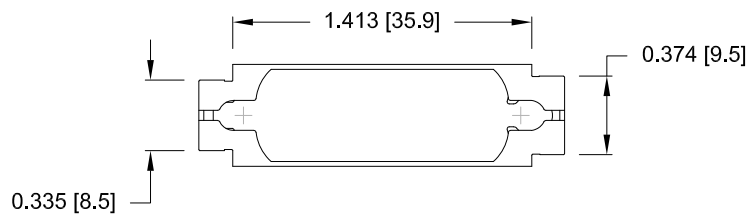
SLIDE LOCK BAR: STAINLESS STEEL  
 MOUNTING SCREW: STEEL, NICKEL PLATED  
 FLAT WASHER: STEEL, NICKEL PLATED  
 LOCK WASHER: STEEL, NICKEL PLATED  
 4-40 NUT: STEEL, NICKEL PLATED



KIT INCLUDES:

- (1X) SLIDE LOCK BAR
- (2X) #4-40 MOUNTING SCREW
- (2X) FLAT WASHERS
- (2X) LOCK WASHERS
- (2X) #4-40 NUTS

DIMENSIONS(inch)	
ITEM NO.	THICKNESS
2	0.031
3	0.031
4	0.079



RoHS COMPLIANT

UNITS = inch [mm]

DO NOT SCALE FROM DRAWING



THESE DRAWINGS AND SPECIFICATIONS ARE THE PROPERTY OF NorComp AND SHALL NOT BE REPRODUCED, COPIED OR USED AS THE BASIS FOR THE MANUFACTURE OR SALE OF APPARATUS WITHOUT WRITTEN PERMISSION.

DRAWN:  
 W. ROBBINS

DATE:  
 12/5/2005

NorComp

SCALE: NTS	SHEET 1	OF 1	REV 5
DWG NO.		160-015-003R031	

# Mouser Electronics

Authorized Distributor

Click to View Pricing, Inventory, Delivery & Lifecycle Information:

[NorComp:](#)

[160-015-003R031](#)