

## DISTINCTIVE CHARACTERISTICS

### Standard with Enhanced LED Illumination:

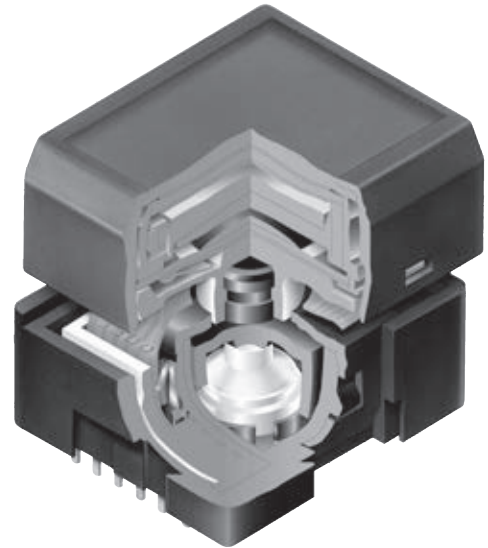
- Broad and even light diffusion
- Consistent backlighting
- Low energy consumption

Programmable LCD

Variety of LED Backlighting Colors

Rubber Dome

Epoxy Sealed Straight PC Terminals



RGB or bicolor red/green backlighting provides infinite color availability.

Programmable to display graphics, alphanumeric characters and animated sequences.

Integrated liquid crystal display provides wide viewing angle with high contrast and clarity.

Viewing area for switches 17.0mm x 13.0mm (horizontal x vertical) at 36 x 24 pixels;  
Display viewing area 14.4mm x 11.8mm.

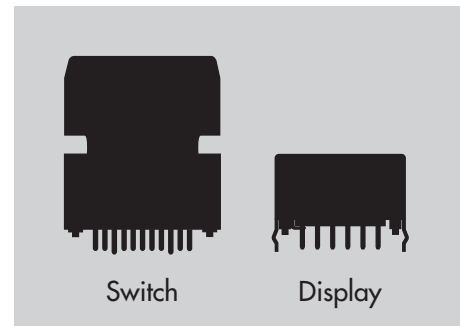
Dome gives crisp tactile feedback to positively indicate circuit transfer.

High reliability and long life of one million actuations minimum.

Epoxy sealed terminals prevent entry of solder flux and other contaminants.

Optional accessories available to enhance panel design and simplify production process.

Actual Sizes



## PART NUMBERS & DESCRIPTIONS

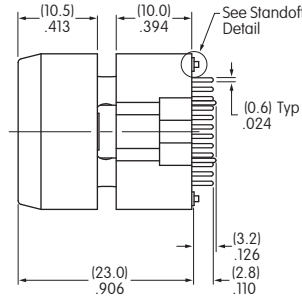
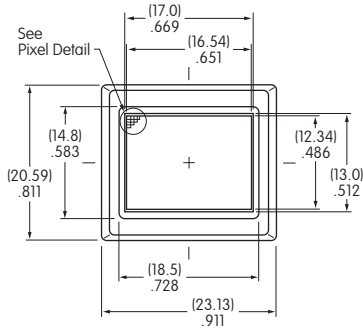
Part Number	Switch Description	LCD Mode	LED Color
<b>IS15BBFP4RGB</b>	SPST Momentary ON Gold Contacts Straight PC Terminals	Black & White FSTN Positive	* Red/Green/Blue
<b>IS15BAFP4CF</b>	SPST Momentary ON Gold Contacts Straight PC Terminals	Black & White FSTN Positive	* Red/Green

\* Simultaneous illumination of LEDs achieves infinite colors.

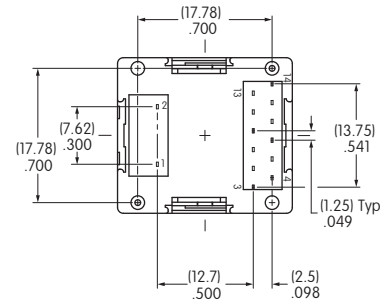
### CHARACTERISTICS OF DISPLAY

Viewing Area	17.0mm x 13.0mm (horizontal x vertical)
Pixel Size	0.440mm x 0.495mm (horizontal x vertical)
Backlight LED	RGB: red/green/blue Bicolor: red/green

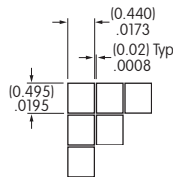
### TYPICAL SWITCH DIMENSIONS FOR RGB



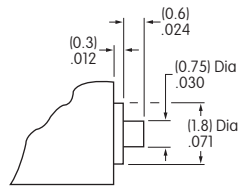
Terminal numbers are not on the switch.



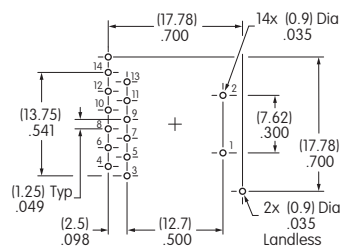
Bottom View: RGB



Pixel Detail

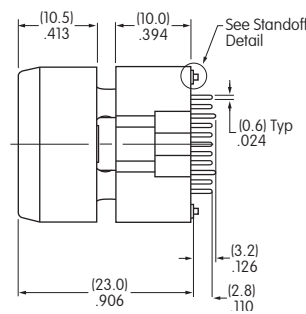
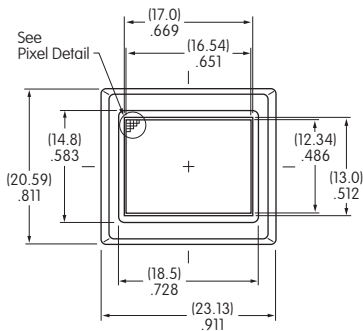


Standoff Detail

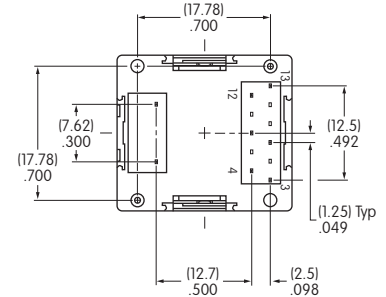


Footprint: RGB

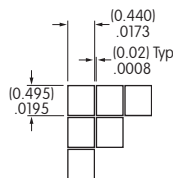
### TYPICAL SWITCH DIMENSIONS FOR BICOLOR



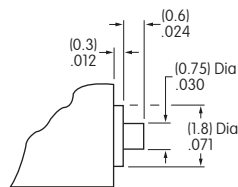
Terminal numbers are not on the switch.



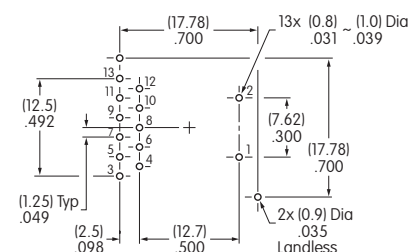
Bottom View: Bicolor Red & Green



Pixel Detail



Standoff Detail

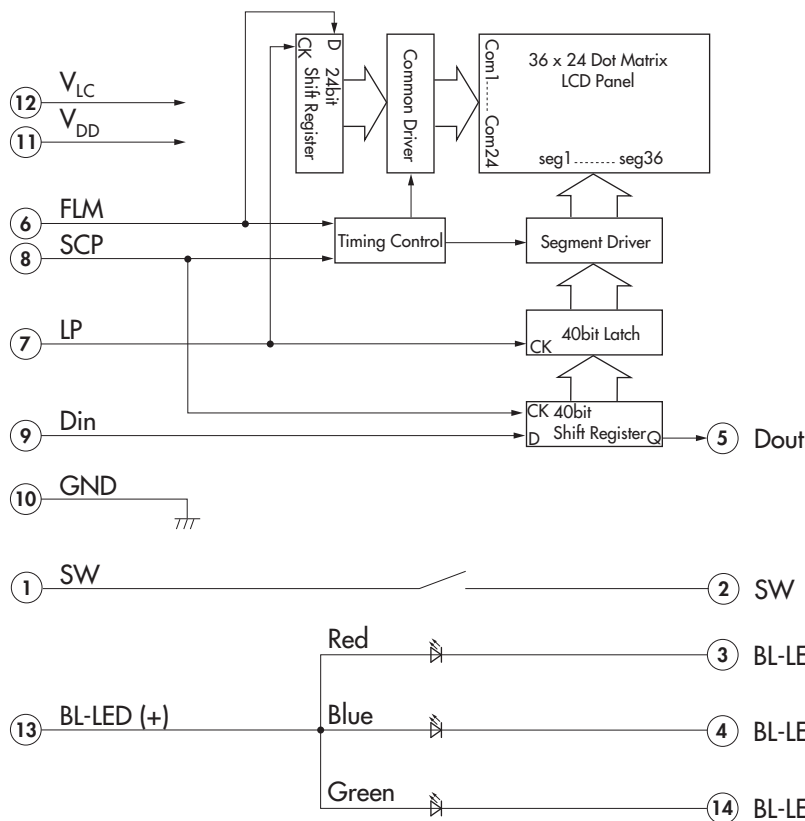


Footprint: Bicolor Red & Green

BLOCK DIAGRAM & PIN CONFIGURATIONS FOR RGB



**IS15BBFP4RGB**  
RGB LED Backlight  
Black and White LCD



Pin No.	Symbol	Name	Function
①	SW	Terminal of Switch	Normally open
②	SW	Terminal of Switch	Normally open
③	BL-LED (-)	Terminal of Backlight LED	Cathode for red
④	BL-LED (-)	Terminal of Backlight LED	Cathode for blue
⑤	Dout	Data Output	Display serial output. Can be used to connect to Din of the next SWITCH. As a result, many SWITCHES can be controlled with one clock and data signal.
⑥	FLM	First Line Marker	The marking signal for the first line data of LCD display. The first line of LCD will be selected by the falling edge of LP signal during the high level (FLM).
⑦	LP	Latch Pulse	Line data latch pulse will latch content of internal 40-bit shift register at falling edge for one line of display. LP will also increment the display line by one.
⑧	SCP	Serial Clock Pulse	Clock used by 40-bit internal shift register of the switch, shifting the display data bit presented at Din at falling edge.
⑨	Din	Data Input	Display serial data bit. Note: to map the display data, because of the difference between the number of internal shift register data (40) and the single line of LCD pixels (36), the first four bits of data shifted will be dummy bits.
⑩	GND	Ground	
⑪	V <sub>DD</sub>	Power	Power source for logic circuit
⑫	V <sub>LC</sub>	Power	Power source for LCD drive
⑬	BL-LED (+)	Terminal of Backlight LED	Anode for common
⑭	BL-LED (-)	Terminal of Backlight LED	Cathode for green

Toggles  
 Rockers  
 Pushbuttons  
 Illuminated PB  
**Programmable**  
 Keylocks  
 Rotaries  
 Slides  
 Tactiles  
 Tilt  
 Touch  
 Indicators  
 Accessories  
 Supplement



## Absolute Maximum Ratings (Temperature at 25°C)

Items	Symbols	Ratings
Supply Voltage for Logics	$V_{DD}$	-0.3V to +7.0V
Supply Voltage for LCD	$V_{LC}$	-0.3V to +12.0V
Input Voltage	$V_I$	-0.3V to $V_{DD}$ +0.3V
Output Voltage	$V_O$	-0.3V to $V_{DD}$ +0.3V

## LCD SPECIFICATIONS

### Characteristics of Display

Display Operation Mode	FSTN positive
Display Condition	Transflective with built-in LED backlight
Viewing Angle	6 o'clock
Driving Method	1/24 duty, 1/5 bias (built-in driving circuit)
Pixel Format	36 x 24 pixels (horizontal x vertical)
Backlight LED	<b>RGB:</b> red/green/blue <b>Bicolor:</b> red/green

### Recommended Operating Conditions (Temperature at 25°C)

Items	Symbols	Minimum	Typical	Maximum
Supply Voltage for Logics	$V_{DD}$	3.0V	—	5.5V
Supply Voltage	$V_{LC}$	—	* 7.3V	—
Input Voltage	$V_I$	0V	—	$V_{DD}$
Driving Frequency	$f_{FLM}$	—	150Hz	—
Clock Operation Frequency	$f_{SCP}$	—	—	8.0MHz

\* LCD voltage ( $V_{LC}$ ) level depends on refreshing frequency and temperature. The optimal  $V_{LC}$  can differ slightly from the stated typical value.

### DC Characteristics of LCD Drive (Temperature at -20°C to +60°C and $V_{DD} = 5.0V \pm 10\%$ )

Items	Symbols	Test Conditions	Minimum	Typical	Maximum	Unit
High Level Input Voltage	$V_{IH}$		$0.7V_{DD}$		$V_{DD}$	V
Low Level Input Voltage	$V_{IL}$		0		$0.3V_{DD}$	V
High Level Input Leakage Current	$I_{LIH}$	$V_I = V_{DD}$			10	$\mu A$
Low Level Input Leakage Current	$I_{LIL}$	$V_I = 0V$			10	$\mu A$
High Level Output Voltage	$V_{OH}$	$I_{OH} = -500\mu A$	$V_{DD}-0.5$			V
Low Level Output Voltage	$V_{OL}$	$I_{OL} = 500\mu A$			0.5	V
High Level Output Leakage Current	$I_{LOH}$	$V_O = V_{DD}$			10	$\mu A$
Low Level Output Leakage Current	$I_{LOL}$	$V_O = 0V$			10	$\mu A$
Supply Current	$I_{DD}$	$f_{SCP} = 1.0MHz$			500	$\mu A$
LCD Drive Current	$I_{LC}$	$f_{LP} = 2.4kHz$ $V_{LC} = 7.3V$		500	2,000	$\mu A$

Toggles  
 Rockers  
 Pushbuttons  
 Illuminated PB  
 Programmable  
 Keylocks  
 Rotaries  
 Slides  
 Tactiles  
 Tilt  
 Touch  
 Indicators  
 Accessories  
 Supplement

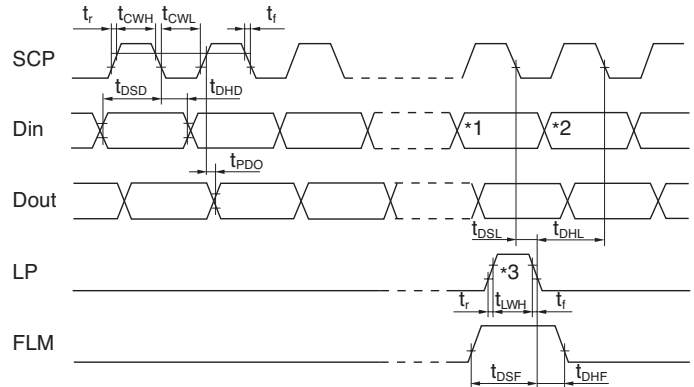
## Timing Characteristics of LCD Drive IC

(Temperature at -20°C to +60°C and  $V_{DD} = 5.0V \pm 10\%$ )

Items	Symbols	Minimum	Maximum
Clock Operation Frequency	$f_{SCP}$		8.0MHz
Latch Pulse Frequency	$f_{LP}$		50kHz
Clock High Level Pulse Width	$t_{CWH}$	50ns	
Clock Low Level Pulse Width	$t_{CWL}$	50ns	
Data Setup Time	$t_{DSD}$	45ns	
Data Hold Time	$t_{DHD}$	50ns	
Data Output Delay Time	$t_{PDO}$		25ns
Latch Setup Time	$t_{DSL}$	50ns	
Latch Hold Time	$t_{DHL}$	50ns	
Latch High Level Width	$t_{LWH}$	50ns	
FLM Setup Time	$t_{DSF}$	50ns	
FLM Hold Time	$t_{DHF}$	50ns	
SCP, LP Rise/Fall Time	$t_r/t_f$		15ns

## Timing Diagram

- \*1 Last data on first line
- \*2 Beginning data on second line
- \*3 Location of LP signal on first line



## LED CHARACTERISTICS

### Typical Electrical Characteristics (Temperature at 25°C)

Backlight Color	Symbols	Red	Green	Blue	Red/Green	Unit
Forward Current	$I_F$	10	8.5	8.0	15/15	mA

## ABSOLUTE MAXIMUM FOR LEDs

### Electrical Characteristics (Temperature at 25°C)

Backlight Color	Symbols	Red	Green	Blue	Red/Green	Unit
Forward Current	$I_F$	20	20	20	20	mA
Forward Voltage	$V_F$	2.0 ( $I_F = 10mA$ )	2.8 ( $I_F = 8.5mA$ )	2.8 ( $I_F = 8.0mA$ )	1.9/1.9	V
Reverse Voltage	$V_R$	4.0	4.0	4.0	4.0	V
Current Reduction Rate Above 25°C	$\Delta I_F(DC)$	-0.33	-0.33	-0.33	-0.26	mA/°C
*Power Dissipation (LED Overall 115mW)	$P_D$	40	60	60	130 maximum	mW

\*For uniform light emission, Power Dissipation should not exceed the Absolute Maximum Rating, and the Forward Current should not exceed the derated Absolute Forward Current.

## PRECAUTIONS FOR HANDLING & STORAGE OF LCD 36 x 24 DEVICES

### Handling



1. The IS Series devices are electrostatic sensitive.
2. Limit operating force to keytop to 100.0N maximum, as excessive pressure may damage the LCD device.
3. The IS series devices are not process sealed.
4. If the LCD is accidentally broken, avoid contact with the liquid and wash off any liquid spills to the skin or clothing.
5. Clean cap surface with dry cloth. If further cleaning is needed, wipe with dampened cloth using neutral cleanser and dry with clean cloth. Do not use organic solvent.
6. Recommended soldering time and temperature limits:  
Do not exceed 70°C at the LCD level.  
Wave Soldering: see Profile B in the Supplement section.  
Manual Soldering for Switch: see Profile A in the Supplement section.  
Manual Soldering for Display: see Profile B in the Supplement section.
7. Recommendation for backlight color uniformity: Use constant current driver. For current limiting resistor method, the power source should be at least twice the backlight LED forward voltage.
8. The VLC voltage should not be applied before logic voltage. If VLC voltage is present before logic voltage, it may cause the driver logic to freeze and damage the LCD, and the driver logic may become damaged.
9. Backlight Forward Current should not exceed the derated Absolute Maximum Forward Current based on the temperature.
10. Excessive images may result after the same image is emitted continuously for an extended period of time.

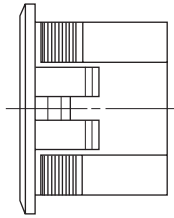
### Storage

1. Store in original container and away from direct sunlight.
2. Keep away from static electricity.
3. Avoid extreme temperatures, high humidity, gaseous substances, and all forms of chemical contamination.

### OPTIONAL ACCESSORIES

#### AT548 Panel Mount Housing

Material: Polyamide

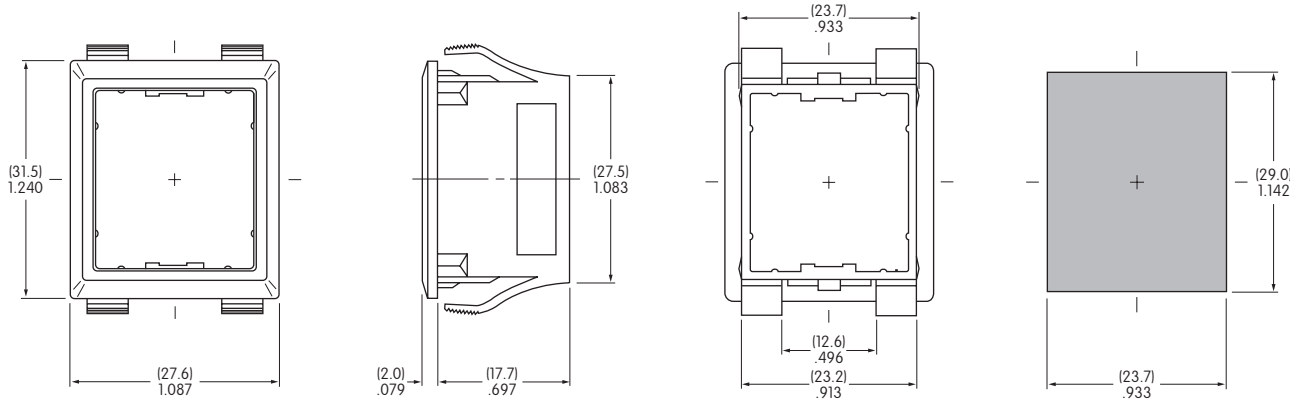


#### Compatible Part Numbers for AT548

##### Wide View LCD 36 x 24

IS15BAFP4CF

IS15BBFP4RGB



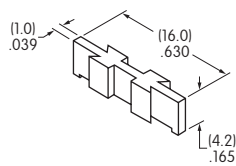
The Panel Mount Housing is available for the LCD 36 x 24 Pushbutton only.

Panel Thickness Range:  
(1.5 ~ 4.0mm) .059 ~ .157"

Panel mount housing allows the LCD 36 x 24 Pushbutton to be snapped into a panel cutout for quick, secure mounting. It gives flexibility in locating the devices anywhere on the panel. It also allows using the LCD 36 x 24 Pushbutton on an existing panel.

#### AT542 Coupler

Material: PBT

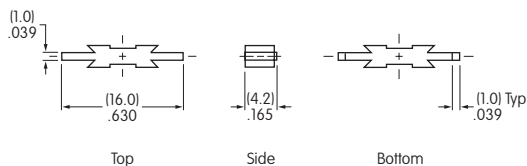


#### Compatible Part Numbers for AT542

##### Wide View LCD 36 x 24

IS15BAFP4CF

IS15BBFP4RGB



This coupler is for connecting the LCD 36 x 24 Pushbutton into precise, tight groupings that maintain an even distance from PCB to top of the actuator.

The Coupler is available for the LCD 36 x 24 Pushbutton only.

Toggles  
 Rockers  
 Pushbuttons  
 Illuminated PB  
 Programmable  
 Keylocks  
 Rotaries  
 Slides  
 Tactiles  
 Tilt  
 Touch  
 Indicators  
 Accessories  
 Supplement



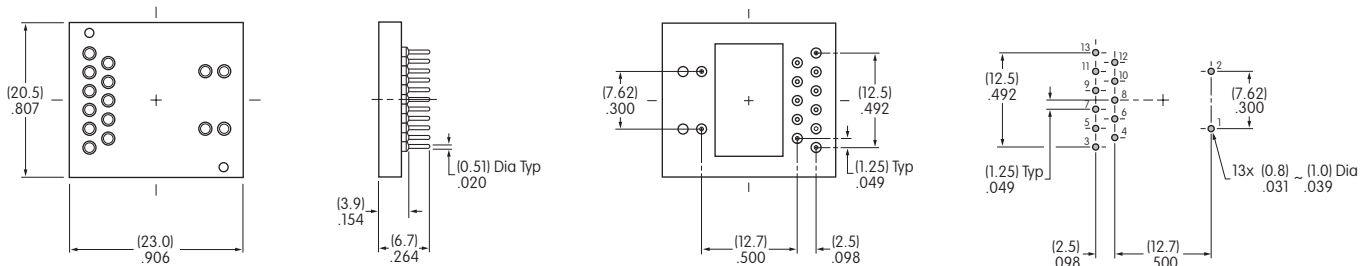
## OPTIONAL ACCESSORIES

### AT9704-02YC Socket for Single and Bicolor LCD 36 x 24 Pushbutton

Materials:

Base - Glass Fiber Reinforced PBT  
 Terminals - Brass/Beryllium Copper

- The socket permits the SmartDisplay to be plugged in after automated processing.
- Use of the socket enables easy field replacement of the device.



### Compatible Part Number for AT9704-02YC

LCD 36 x 24

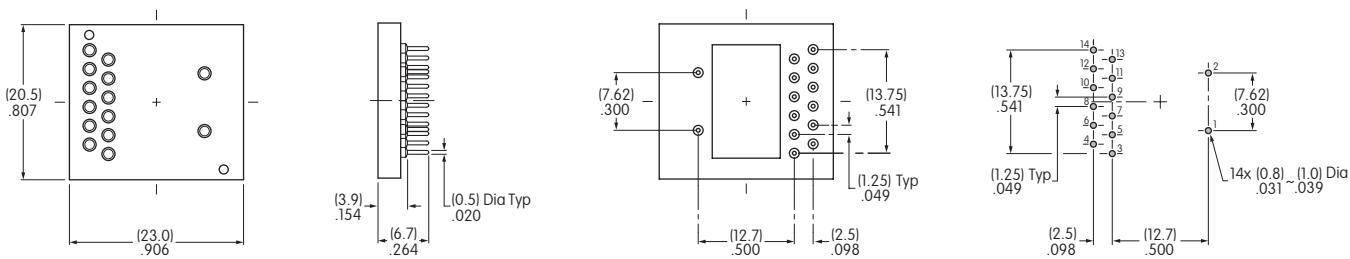
IS15BAFP4CF

### AT9704-065E Socket for RGB LCD 36 x 24 Pushbutton

Materials:

Base - Glass Fiber Reinforced PBT  
 Terminals - Brass/Beryllium Copper

- The socket permits the RGB SmartDisplay to be plugged in after automated processing.
- Use of the socket enables easy field replacement of the device.



### Compatible Part Numbers for AT9704-065E

RGB LCD 36 x 24

IS15BBFP4RGB

Bicolor LCD 36 x 24

\* IS15BAFP4CF

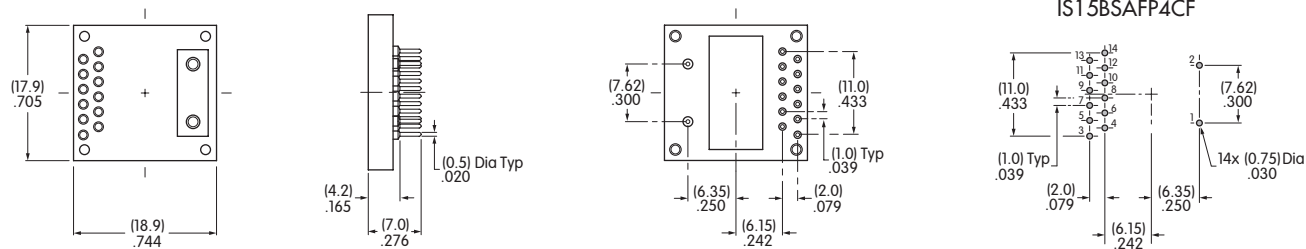
\* AT9704-065E Socket may be used with IS15BAFP4CF by removing pin 3.

### AT9704-065F Socket for Compact Pushbutton (All Models)

Materials:

Base - Glass Fiber Reinforced PBT  
 Terminals - Brass/Beryllium Copper

- The socket permits the Compact SmartDisplay to be plugged in after automated processing.
- Use of the socket enables easy field replacement of the device.



### Compatible Part Numbers for AT9704-065F

LCD 64 x 32

IS15EBFP4RGB-09YN

LCD 64 x 32 Compact

IS15ESBFP4RGB

LCD 36 x 24

IS15BAFP4CF

LCD 36 x 24 Compact

IS15BSBFP4RGB

IS15BSAFP4CF

Note: AT9704-065F Socket may be used with the LCD 64 x 32 SmartDisplay by removing pins 3, 4, 11, 12, 13 and 14.

# Mouser Electronics

Authorized Distributor

Click to View Pricing, Inventory, Delivery & Lifecycle Information:

[NKK Switches:](#)

[IS15BBFP4RGB](#)