

Dual Boost Amplifier

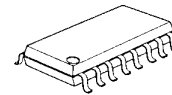
■ GENERAL DESCRIPTION

The **NJM2160B** is a dual boost amplifier designed for car audio system. It expands the frequency characteristics by high slew rate.

It can swing 14V peak-to-peak output voltage at 9V. It consists of two channel non-inverting amplifier with the gain of 8dB.

It is suitable for car audio system and other boost amplifier system.

■ PACKAGE OUTLINE



NJM2160BM

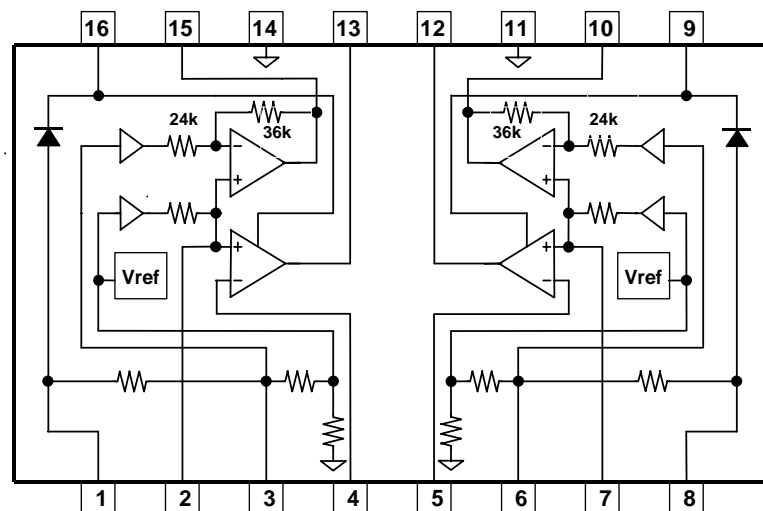


NJM2160BV

■ FEATURES

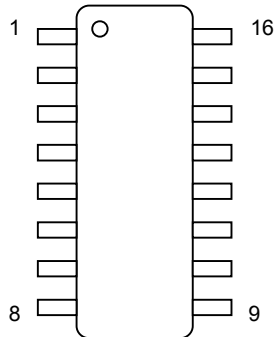
- Operating Voltage (6 to 12V)
- Operating Current (6mA typ.)
- Boost output Function ($V_o=14V_{pp}:@V^+=9V$)
- Maximum Output Voltage (3.5V typ., @ f=30kHz)
- Supply Voltage Rejection Ratio (50dB typ.)
- Total Harmonic Distortion (0.003% typ.)
- Noise Output Voltage ($6\mu V_{rms}$ typ.)
- Bipolar Technology
- Package Outline DMP16 , SSOP16

■ BLOCK DIAGRAM



NJM2160B

■ PIN FUNCTION



PIN NUMBER	PIN NAME	PIN FUNCTION
1	V _{CCL}	Power Supply for Left Channel
2	+Lin	+Input of Left Channel
3	CRPL	Capacitance for Left Channel Ripple Rejection
4	-Lin	-Input of Left Channel
5	-Rin	-Input of Right Channel
6	CRPR	Capacitance for Right Channel Ripple Rejection
7	+Rin	-Input of Right Channel
8	V _{CCR}	Power Supply for Right Channel
9	+CR	Capacitance for +Level-shift Right Channel
10	-CR	Capacitance for -Level-shift Right Channel
11	GNDR	Ground for Right Channel
12	R _{OUT}	Output of Right Channel
13	L _{OUT}	Output of Left Channel
14	GNDL	Ground for Left Channel
15	-CL	Capacitance for -Level-shift Left Channel
16	+CL	Capacitance for +Level-shift Left Channel

■ ABSOLUTE MAXIMUM RANGES (Ta=25°C)

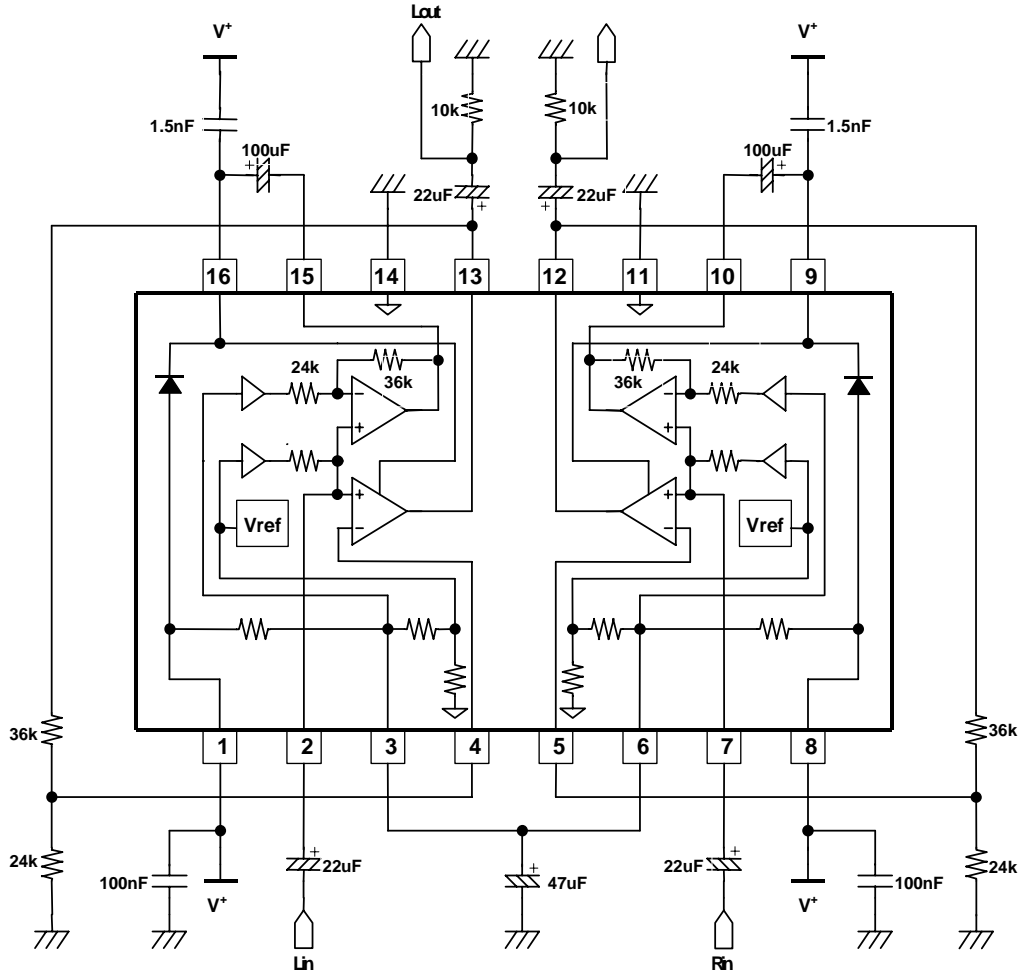
PARAMETER	SYMBOL	RANGE	UNIT
Supply Voltage	V ⁺	+15	V
Output Current	I _o	20	mA
Power Dissipation	P _D	300	mW
Operating Temperature	Topr	-40 to +85	°C
Storage Temperature	Tstg	-40 to +125	°C

■ ELECTRICAL CHARACTERISTIC ($V^+=9V, T_a=25^\circ C$)

PARAMETER	SYMBOL	TEST CONDITION	MIN.	TYP.	MAX.	UNIT
DC CHARACTERISTIC						
Operating Voltage	V^+		6.0	9.0	12.0	V
Operating Current	I_{CC}	No Signal	-	6.0	8.0	mA
Output Voltage	V_{ODC}		-	7.8	-	V
AC CHARACTERISTIC ($f=1kHz, R_L=10k\Omega$)						
Voltage Gain	A_V		7.5	8.0	8.5	dB
Channel Separation	CS	$R_S=600\Omega, V_O=1V_{rms}$	70	75	-	dB
Channel Balance	BAL		-	-	0.5	dB
Roll-off Low Frequency	f_{RL}	-1dB	-	-	5	Hz
Roll-off High Frequency	f_{RH}	-1dB	20	50	-	kHz
Input Resistance	R_{IN}		22	30	38	k Ω
Output Resistance	R_{OUT}		-	-	10	Ω
Maximum Output Voltage 1	V_{OM1}	THD=0.1%, $f = 1kHz$	5.0	5.2	-	V _{rms}
Maximum Output Voltage 2	V_{OM2}	THD=0.1%, $f = 30kHz$	-	3.5	-	V _{rms}
Noise Output Voltage	V_{NO}	$R_S=600\Omega, A$ -Weighting	-	6	10	μV_{rms}
Total Harmonic Distortion	THD1	$f=1kHz, V_O=3V_{rms}, A$ -Weighting	-	0.003	0.01	%
	THD2	$f=17Hz$ to $20kHz, V_O=3V_{rms}$	-	0.01	-	%
Supply Voltage Rejection Ratio	SVR1	$R_S=600\Omega, f=1kHz, V_{RP}=100mV_{rms}$	55	-	-	dB
	SVR2	$R_S=600\Omega, f=20Hz$ to $20kHz, V_{RP}=100mV_{rms}$	-	50	-	dB

NJM2160B

APPLICATION CIRCUIT



[CAUTION]
 The specifications on this data book are only given for information, without any guarantee as regards either mistakes or omissions. The application circuits in this data book are described only to show representative usages of the product and not intended for the guarantee or permission of any right including the industrial rights.

Mouser Electronics

Authorized Distributor

Click to View Pricing, Inventory, Delivery & Lifecycle Information:

[Nisshinbo Micro Devices:](#)

[NJM2160BV-TE1](#) [NJM2160BV-TE2](#)