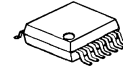


## Ground Referenced Stereo Headphone Amplifier

### ■ GENERAL DESCRIPTION

The **NJU72040** is an audio headphone amplifier .  
 Ground-referenced outputs eliminate output coupling capacitor. The pop noise suppression circuit removes a pop noise at the power-on and power-off.  
 It is suitable for audio headphone amplifier application

### ■ PACKAGE OUTLINE



NJU72040V

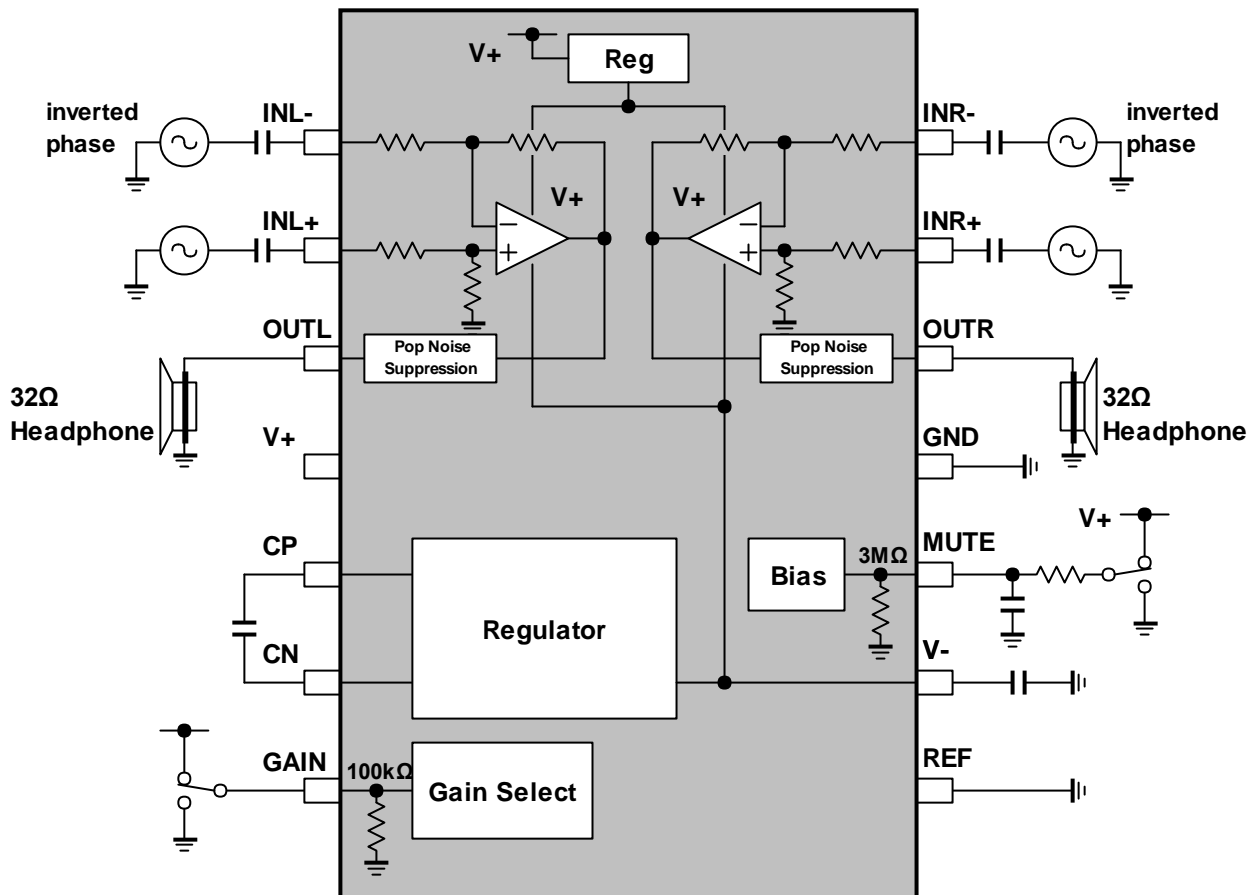
### ■ APPLICATIONS

- Audio applications which have audio headphone interface

### ■ FEATURES

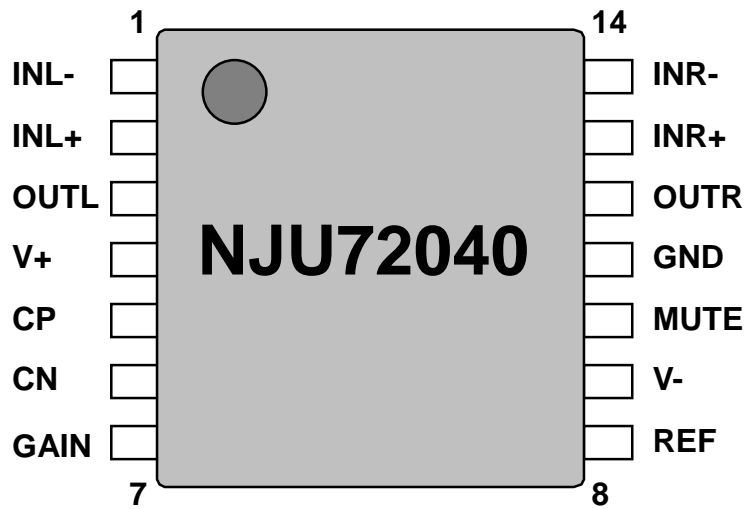
- Operating Voltage +2.7 to +3.6V
- Operating Current  $I_{DD}=10.5\text{mA typ.}$   
at  $V^+=3.3\text{V}$ , No load, No Signal
- Output Coupling Capacitor-less
- Pop Noise Suppression Circuit
- Gain Select
- C-MOS Technology
- Package Outline SSOP14

### ■ BLOCK DIAGRAM



# NJU72040

## ■ PIN CONFIGURATION



No.	Symbol	Function	No.	Symbol	Function
1	INL-	Lch Inverted Input	8	REF	Reference Voltage Input
2	INL+	Lch Noninverted Input	9	V-	V- Power Supply
3	OUTL	Lch Output	10	MUTE	MUTE / Pop Noise Suppression
4	V+	V+ Power Supply	11	GND	Ground
5	CP	Flying Capacitor Positive Terminal	12	OTR	Rch Output
6	CN	Flying Capacitor Negative Terminal	13	INR+	Rch Inverted Input
7	GAIN	Gain Select	14	INR-	Rch Noninverted Input

**■ ABSOLUTE MAXIMUM RATING** (Ta=25°C)

PARAMETER	SYMBOL	RATING	UNIT
Supply Voltage	V <sup>+</sup>	+4	V
Power Dissipation	P <sub>D</sub>	SSOP14 : 550 <sup>(Note1)</sup>	mW
Maximum Input Voltage	V <sub>IM</sub>	V <sup>+</sup> +0.3	V
Operating Temperature Range	Topr	-40 ~ +85	°C
Storage Temperature Range	Tstg	-40 ~ +125	°C

(Note1) EIA/JEDEC STANDARD Test board (76.2x114.3x1.6mm, 2layer, FR-4) mounting

**■ RECOMMENDED OPERATING CONDITIONS**

(Ta=25°C unless otherwise specified)

PARAMETER	SYMBOL	TEST CONDITION	MIN.	TYP.	MAX.	UNIT
Operating Voltage	V <sup>+</sup>		2.7	3.3	3.6	V

**■ ELECTRICAL CHARACTERISTICS**

(Ta=25°C, V<sup>+</sup>=3.3V, f=1kHz, Vin=0.1Vrms[differential input], Gv=6.4dB, MUTE=OFF, R<sub>L</sub>=32Ω unless otherwise specified)

PARAMETER	SYMBOL	TEST CONDITION	MIN.	TYP.	MAX.	UNIT
Operating Current	I <sub>DD</sub>	No signal, No load	-	10.5	15.5	mA
Input Resistance1	R <sub>in1</sub>	INL-, INR-	49	61	73	kΩ
Input Resistance2	R <sub>in2</sub>	INL+, INR+	103	129	155	kΩ
Voltage Gain1	G <sub>V1</sub>	Gain Terminal=Low	5.4	6.4	7.4	dB
Voltage Gain2	G <sub>V2</sub>	Gain Terminal=High	11.4	12.4	13.4	dB
Voltage Gain3	G <sub>V3</sub>	Gain Terminal=Low, R <sub>L</sub> =10kΩ	6.6	7.1	7.6	dB
Voltage Gain4	G <sub>V4</sub>	Gain Terminal=High, R <sub>L</sub> =10kΩ	12.6	13.1	13.6	dB
Maximum Output Power1	P <sub>OMAX1</sub>	THD=3%, R <sub>L</sub> =32Ω Input=Lch or Rch	-	80	-	mW
Maximum Output Power2	P <sub>OMAX2</sub>	THD=3%, R <sub>L</sub> =32Ω Input=Lch and Rch	-	55	-	mW
Maximum Output Voltage Level	V <sub>OMAX</sub>	THD=1%, R <sub>L</sub> =10kΩ	-	2.2	-	Vrms
Mute Level	V <sub>MUTE</sub>	Rg=0Ω, Mute=ON	-	-90	-80	dB
Equivalent Input Noise Voltage	V <sub>NI</sub>	Rg=0Ω, BW:400Hz-22kHz	-	-100	-95	dBV
Total Harmonic Distortion1	THD1	BW:400Hz-22kHz, R <sub>L</sub> =32Ω	-	0.08	0.3	%
Total Harmonic Distortion2	THD2	BW:400Hz-22kHz, R <sub>L</sub> =10kΩ	-	0.007	0.05	%
Channel Separation1	CS1	Rg=600Ω, (*1)	65	75	-	dB
Channel Separation2	CS2	Rg=600Ω, f=10kHz, (*1)	55	65	-	dB
Output Offset Voltage	V <sub>OS</sub>	Rg=0Ω, Gv=12.4Db, No load	-	1	5	mV

(\*1)OUTL(measured terminal): 20log(OUTR/OUTL), OUTR(measured terminal): 20log(OUTL/OUTR)

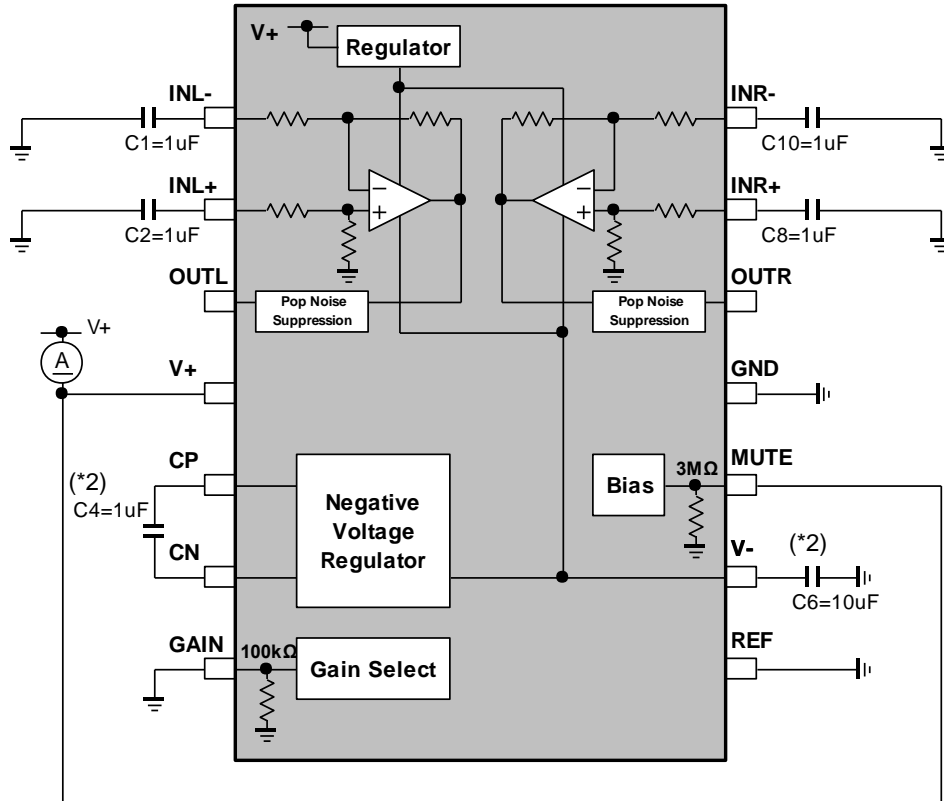
**■ CONTROL CHARACTERISTICS**

(Ta=25°C, V<sup>+</sup>=3.3V, Gv=6.4dB, MUTE=OFF, R<sub>L</sub>=32Ω unless otherwise specified)

PARAMETER	SYMBOL	TEST CONDITION	MIN.	TYP.	MAX.	UNIT
Mute terminal High	MuteH	Mute=OFF	0.8 V <sup>+</sup>	-	V <sup>+</sup>	V
Mute terminal Low	MuteL	Mute=ON	0	-	0.2 V <sup>+</sup>	V
Gain terminal High	GainH	Gv=12.4dB	0.8 V <sup>+</sup>	-	V <sup>+</sup>	V
Gain terminal Low	GainL	Gv=6.4dB	0	-	0.2 V <sup>+</sup>	V

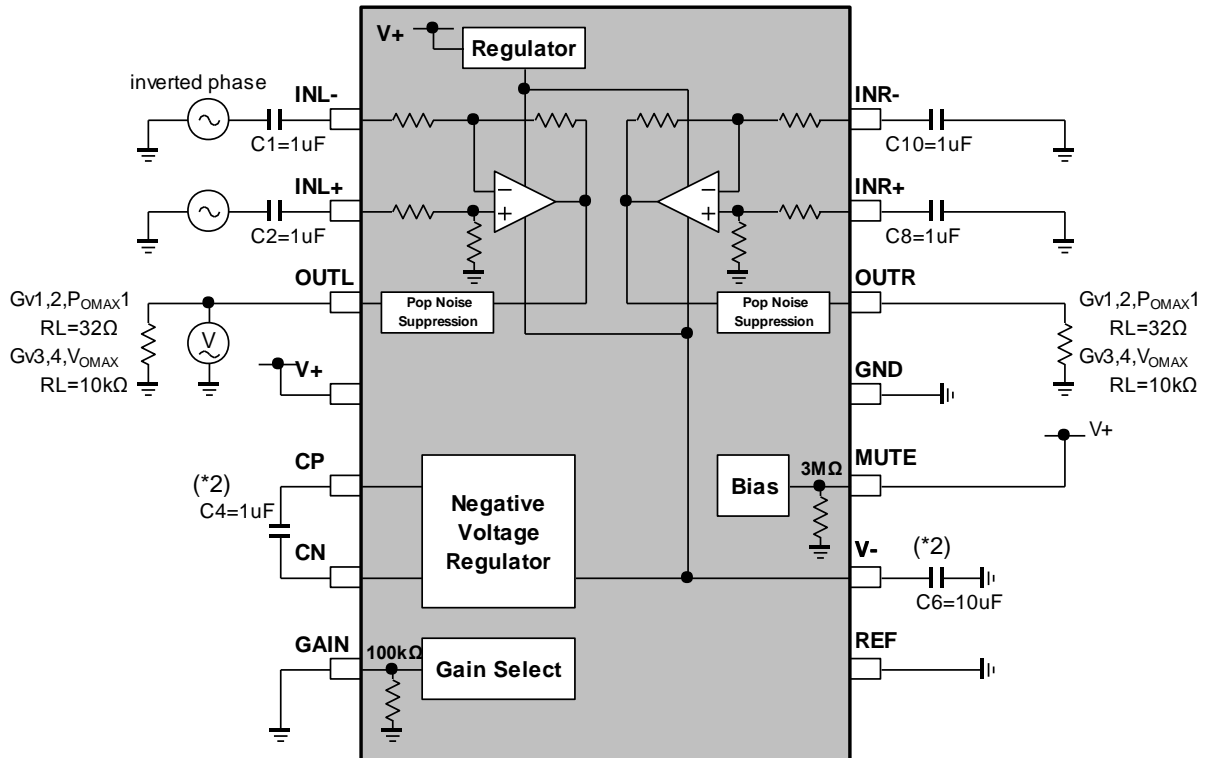
# NJU72040

## TEST CIRCUIT ( $I_{DD}$ )



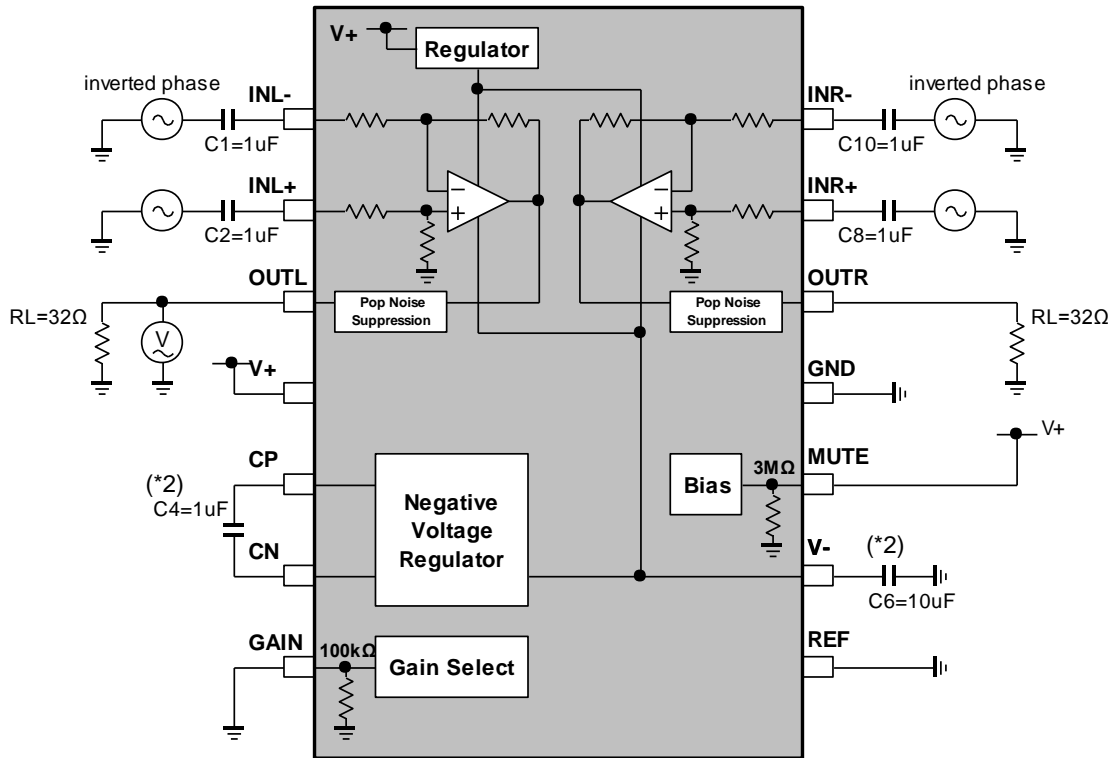
(\*2): Monolithic Ceramic Capacitors

## TEST CIRCUIT ( $G_{V1}$ , $G_{V2}$ , $G_{V3}$ , $G_{V4}$ , $P_{OMAX1}$ , $V_{OMAX}$ )



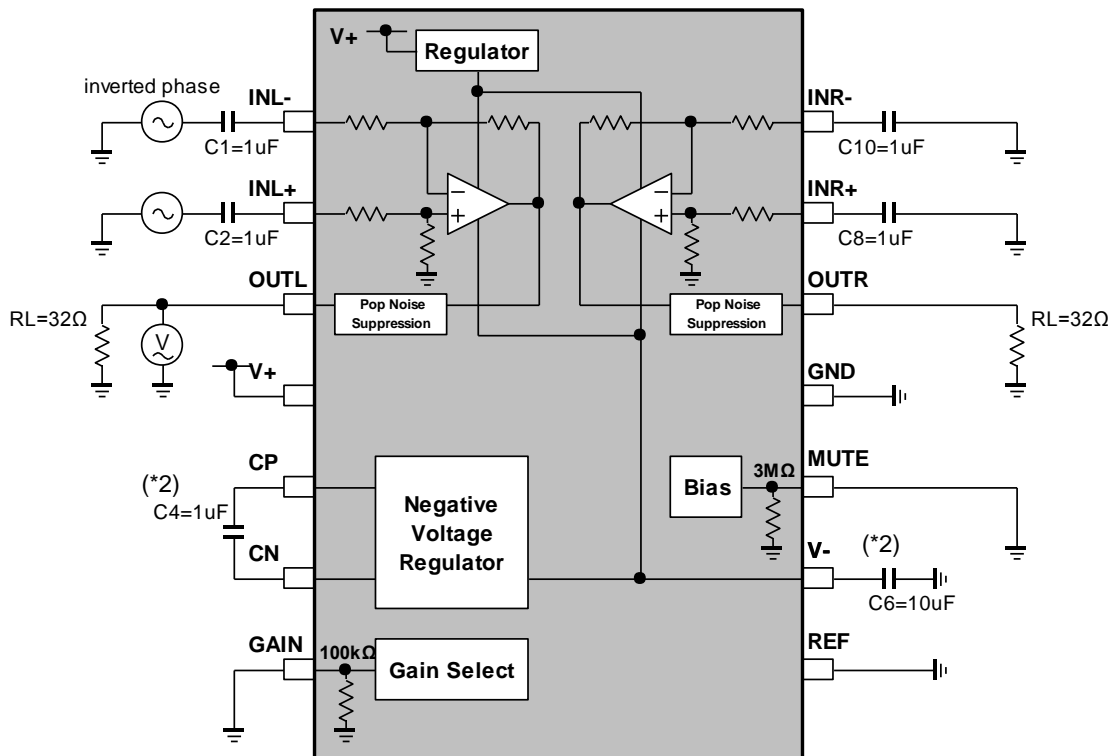
(\*2): Monolithic Ceramic Capacitors

## TEST CIRCUIT ( $P_{OMAX2}$ )



(\*2): Monolithic Ceramic Capacitors

## TEST CIRCUIT ( $V_{MUTE}$ )

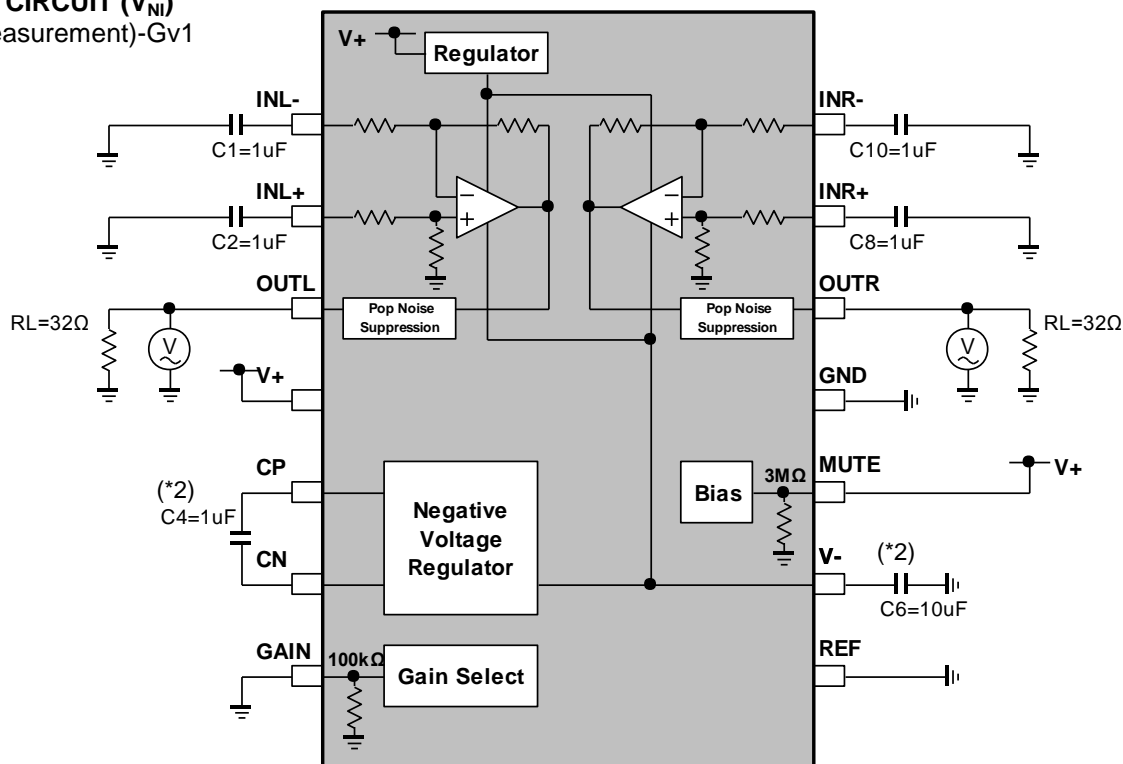


(\*2): Monolithic Ceramic Capacitors

# NJU72040

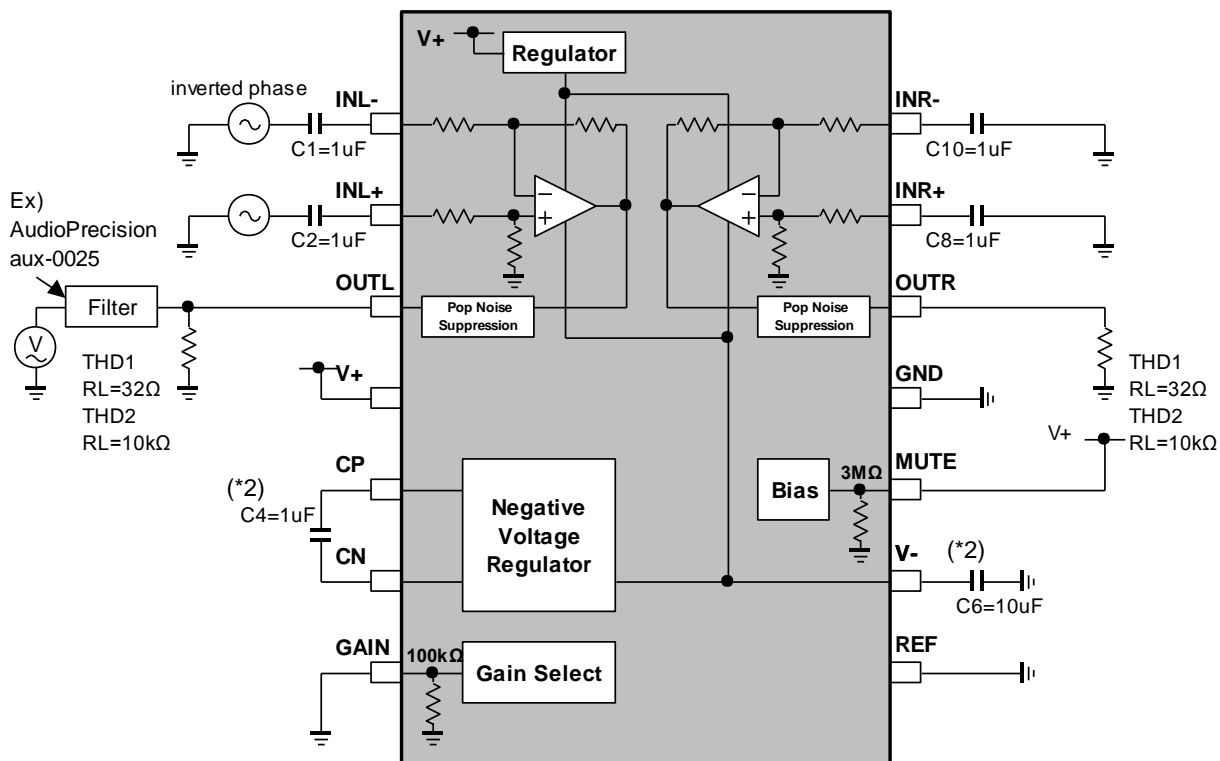
## TEST CIRCUIT (V<sub>NI</sub>)

$$V_{NI} = (\text{measurement}) - Gv1$$



(\*2): Monolithic Ceramic Capacitors

## TEST CIRCUIT (THD1, THD2)



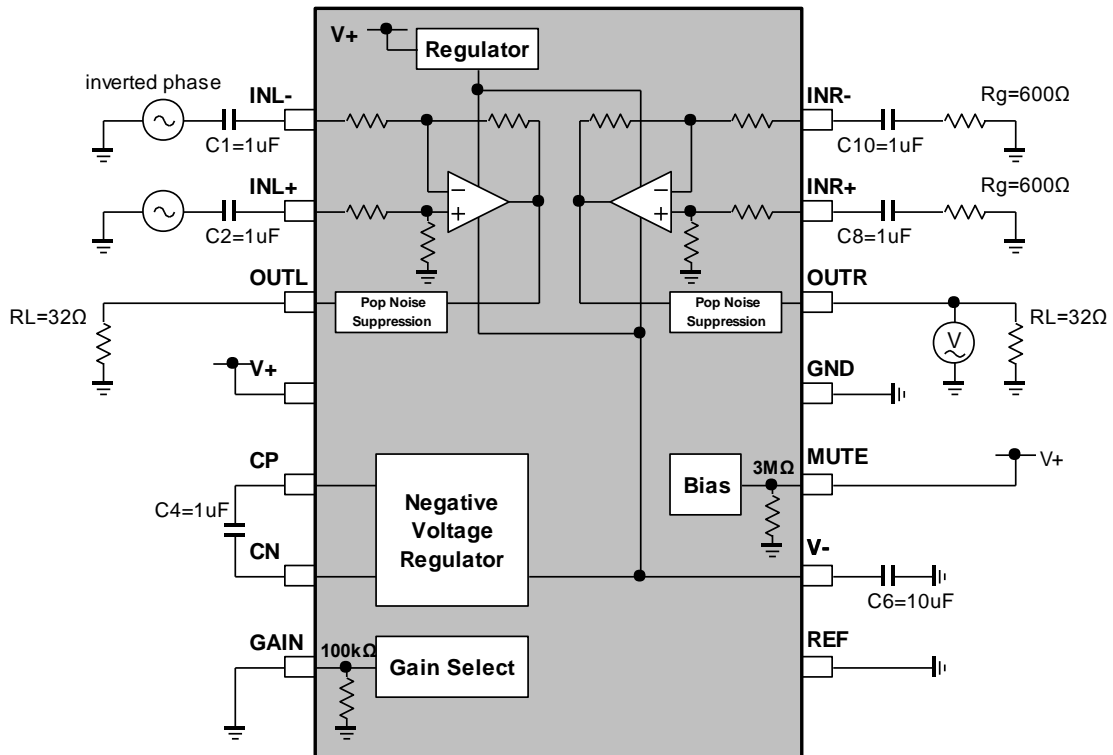
(\*2): Monolithic Ceramic Capacitors

(\*3): Connect a low-pass filter circuit with the corner frequency of more than 20kHz in front of an analyzer for rejecting the switching noise generated from NJU72040. Otherwise, the characteristic result may change because of the switching noise.

## TEST CIRCUIT (CS1, CS2)

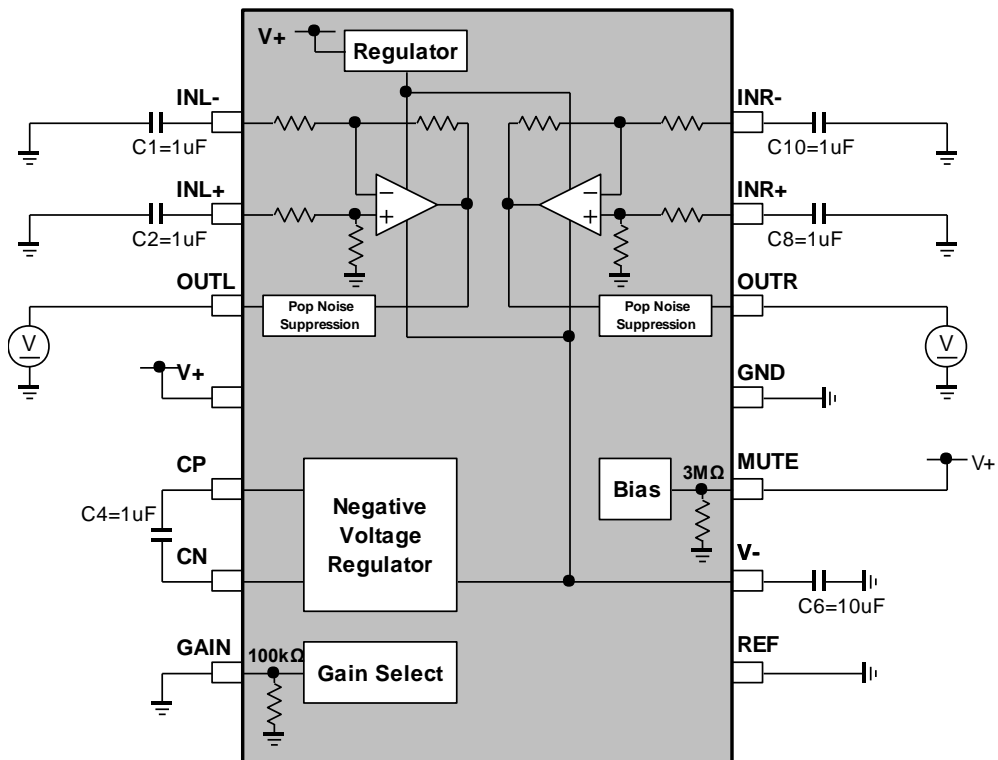
OUTL (measured terminal):  $CS1=CS2=20\log(OUTR/OUTL)$

OUTR (measured terminal):  $CS1=CS2=20\log(OUTL/OUTR)$



(\*2): Monolithic Ceramic Capacitors

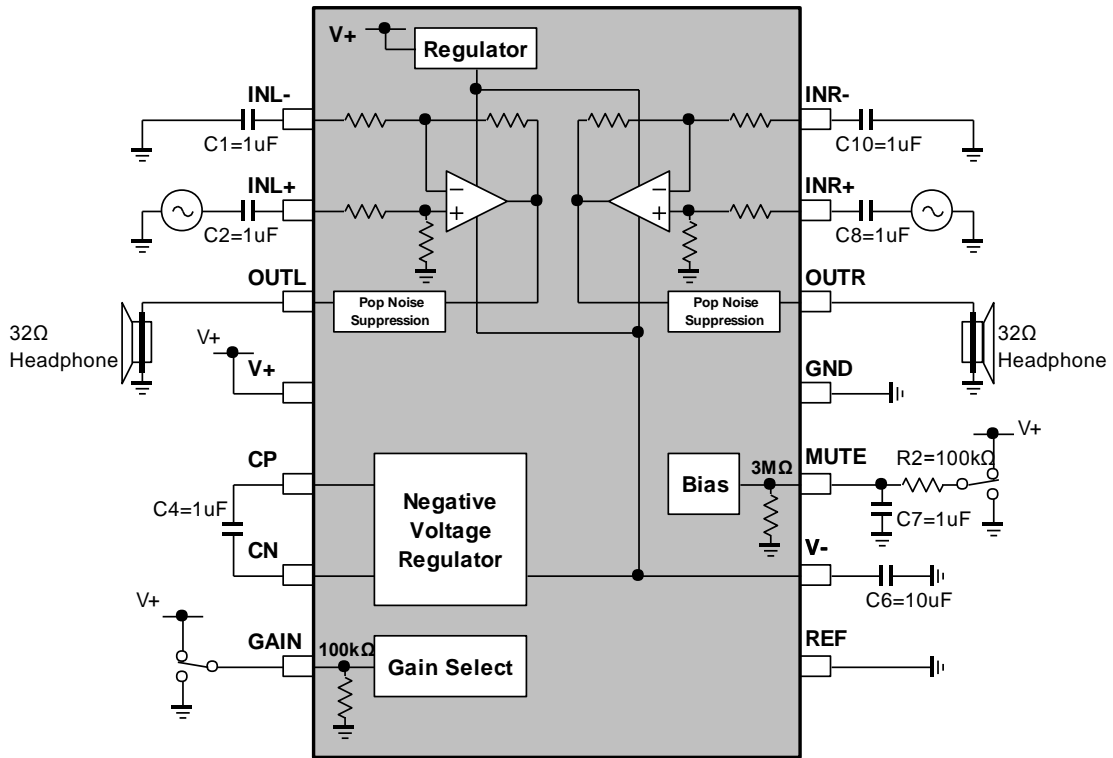
## TEST CIRCUIT (V<sub>OS</sub>)



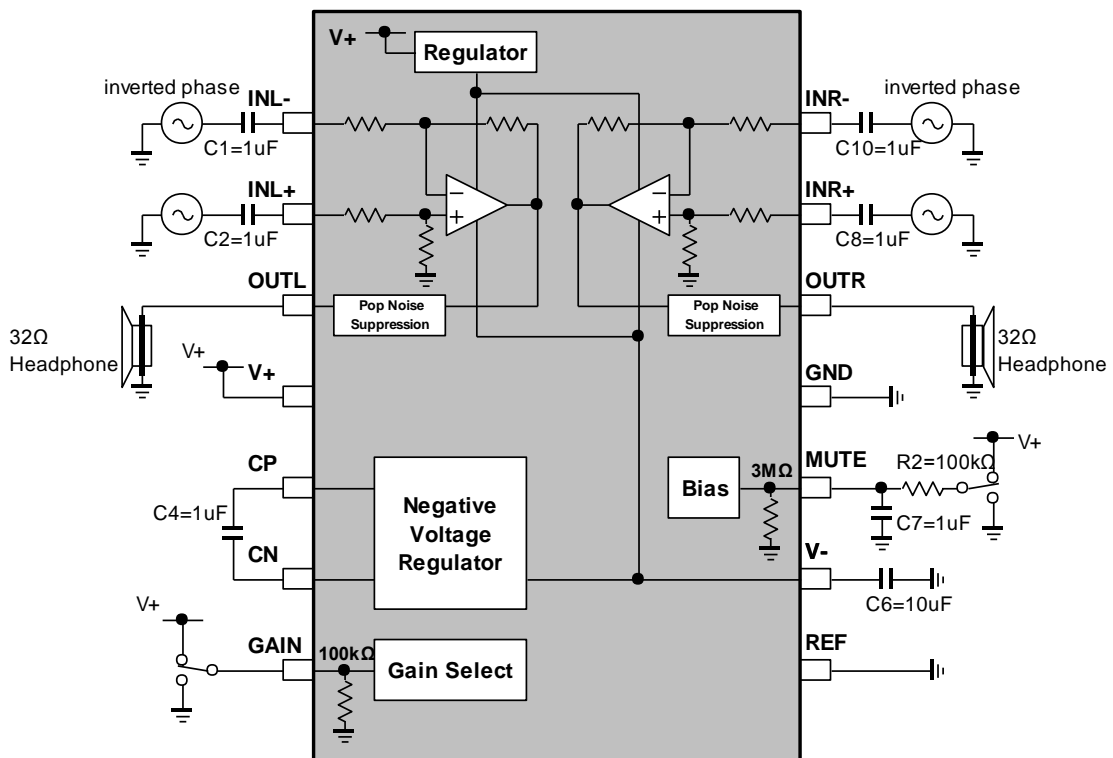
(\*2): Monolithic Ceramic Capacitors

# NJU72040

## APPLICATION CIRCUIT (Single-end input)



## (Differential input)



(\*2): Monolithic Ceramic Capacitors

(\*3): V- terminal (8pin) shouldn't be tied to V+ terminal (4pin)



## ■ APPLICATION NOTE

The NJU72040 is an audio headphone amplifier that eliminates the need for external dc-blocking output capacitors. The NJU72040 has built-in pop suppression circuitry to eliminate disturbing pop noise during power-on, power-off and mute-control.

### 1. Operating Principle

The NJU72040 has the built-in differential input operational amplifiers, voltage inverter, pop noise suppression circuitry, gain selectable circuitry and thermal-overload protection circuitry (Fig.1).

For single-ended input signals, connect inverted terminal (INL-, INR-) or non-inverted terminal (INL+, INR+) to ground through the capacitor. The voltage gain is selectable. In the differential circuitry, the setting gain is +6.4dB or +12.4dB for the  $R_L=32\Omega$ . In the single-end input circuitry, the setting gain is +0.4dB or +6.4dB for the  $R_L=32\Omega$ .

The voltage inverter for NJU72040 eliminates the need for external dc-blocking output capacitors. The pop suppression circuitry for NJU72040 eliminates the pop noise during power-on, power-off and mute-control.

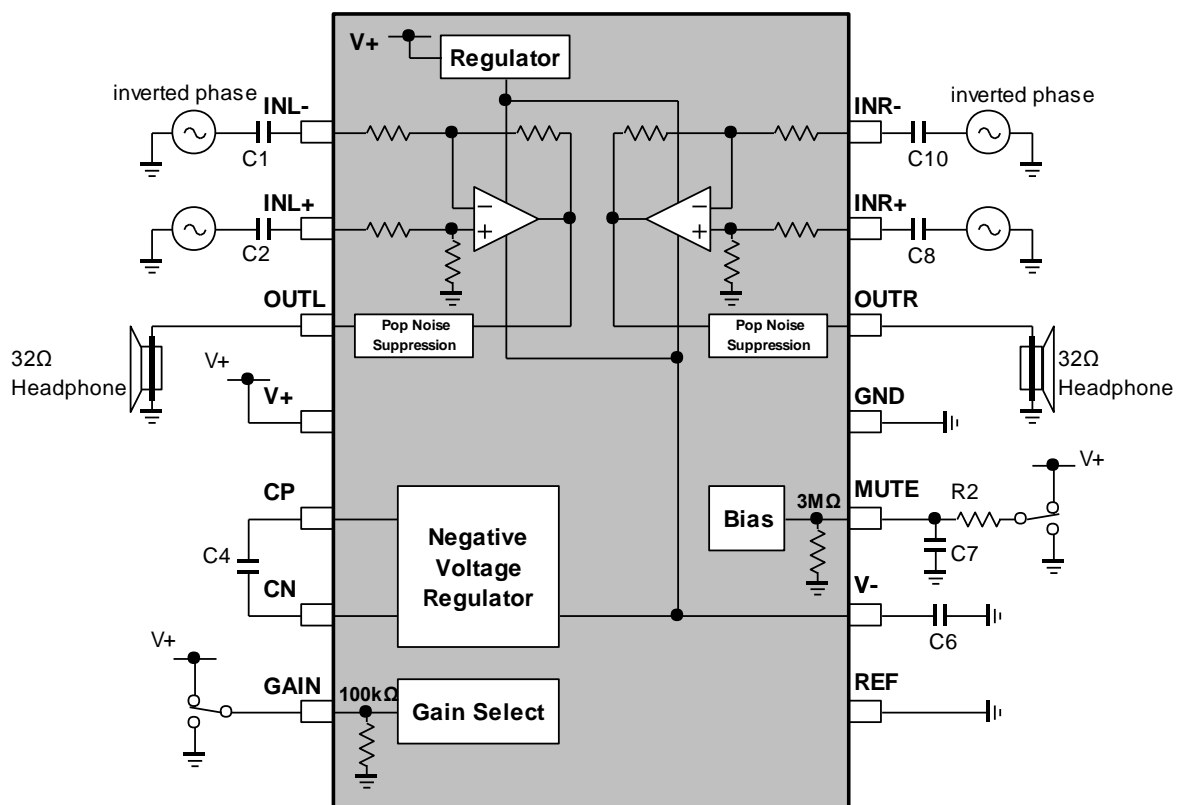


Fig.1 The NJU72040 functional block diagram

### 1.1 External parts

#### 1.1.1 Input coupling capacitors $C_i$ (C1, C2, C8, C10)

The input coupling capacitor ( $C_i$ ) and the input resistance ( $R_{in}=61k\Omega$  typ.) for the inverted terminal form a high-pass filter with the corner frequency determined in  $[f_c=1/(2\pi \times 61k\Omega \times C_i)]$ . It is necessary to adjust 1 $\mu$ F or more.

### 1.1.2 Flying capacitor (C4)

Use capacitors with a low-ESR (ex. ceramic capacitors) for optimum performance. Design to provide low impedance for the wiring between CP terminal (5pin), CN terminal (6pin), and the flying capacitor (C4).

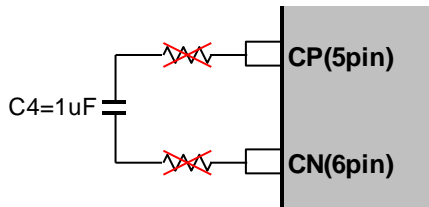


Fig.2 The NJU72040 block diagram (5pin, 6pin)

### 1.1.3 Hold capacitor (C6)

Use capacitors with a low-ESR (ex. ceramic capacitors) for optimum performance. Design to provide low impedance for the wiring between the hold capacitor (C6), V- terminal (9pin) and the GND on the PCB.

Separate the GND pattern connecting to the hold capacitor (C6) from that connecting to the REF terminal (8pin), thus suppressing the influence of switching noise by removing the common impedance of the GND wiring.

Design no short-circuits of V- terminal (9pin) and V+ terminal (4pin) on the PCB pattern.

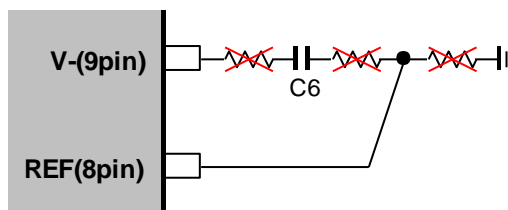


Fig.3 The NJU72040 block diagram (8pin, 9pin)

### 1.1.4 Mute terminal pop noise countermeasures (C7, R2)

Mute terminal needs time constant more than  $R2 \times C7 = 0.1$ . It is necessary to adjust R2 to 100kΩ or less. Please pay attention to meet the threshold voltage because the Mute terminal's applied voltage is dropped in case of setting R2 to high.

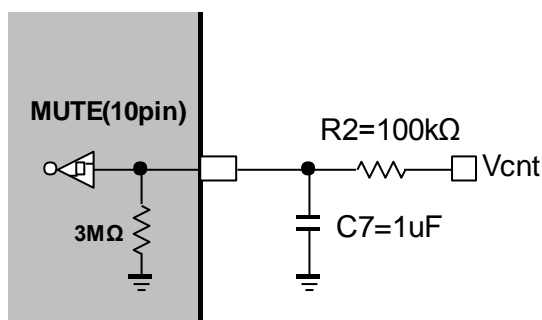


Fig.4 The NJU72040 block diagram (10pin)

## 1.2 Control of V+ terminal and Mute terminal

### 1.2.2 Power-on procedure

1. Turn on the V+.
  2. After 5msec from power on, change the control voltage of MUTE terminal (Vcnt) from "Low" to "High".
- \* It is necessary to stabilize an IC for 5msec.  
By releasing the MUTE function, the output terminal output the signal.

### 1.2.3 Power-off procedure

1. Change the control voltage of MUTE terminal (Vcnt) from "High" to "Low".  
By the MUTE function, the output signals are stopped from output terminal.
  2. Turn off the V+ after "2RC" sec from MUTE.
- \* It is necessary to stabilize a MUTE condition for "2RC" sec.  
Ex.)  $R2=100k\Omega$ ,  $C7=1\mu F \rightarrow 2R2 \times C7=200msec$

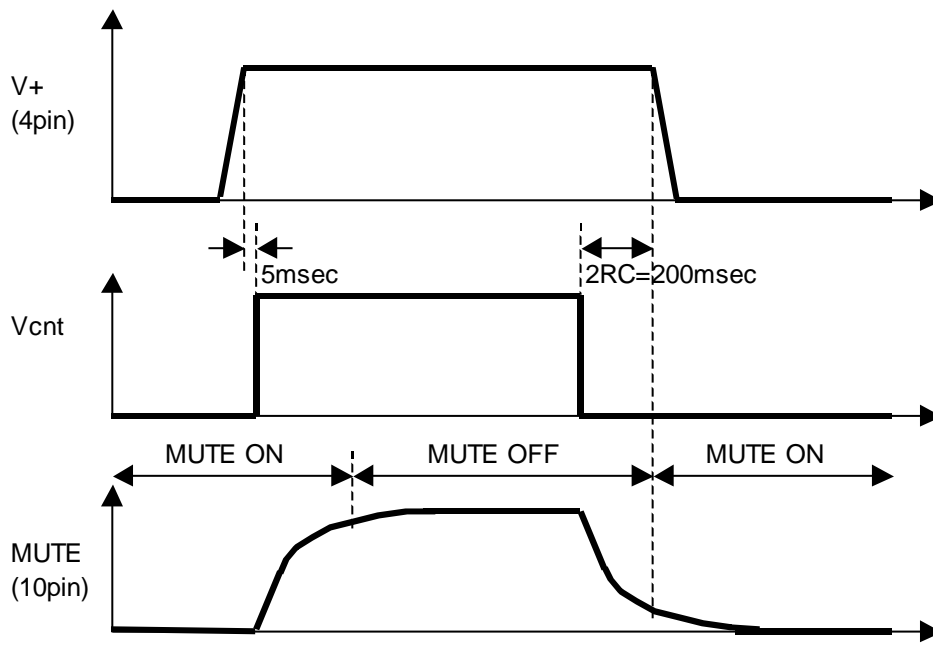


Fig.5 Turn-on / Turn-off timing chart

## ■ TERMINAL DESCRIPTION

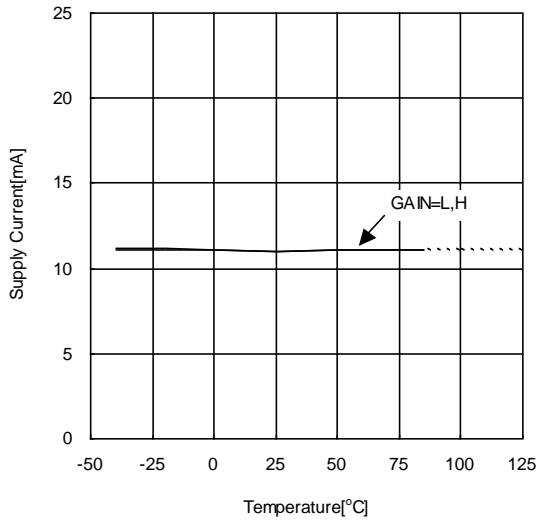
Terminal	SYMBOL	FUNCTION	EQUIVALENT CIRCUIT	VOLTAGE
1 2 13 14	INL- INL+ INR- INR+	AC Input		0V
3 12	OUTL OUTR	AC Output		0V
7	GAIN	Gain Select		0V
10	MUTE	MUTE/Pop Noise Suppression		0V

## ■ TERMINAL DESCRIPTION

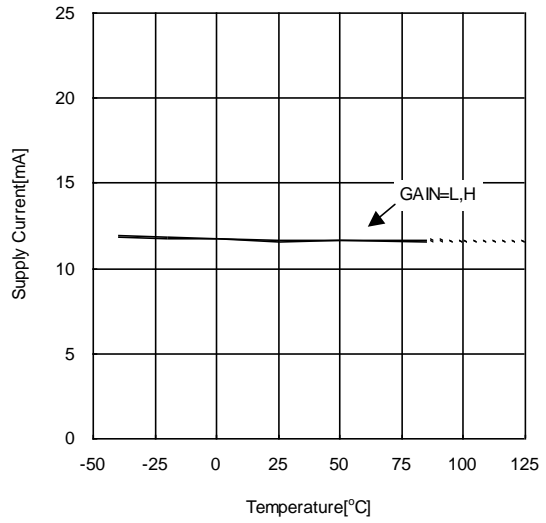
Terminal	SYMBOL	FUNCTION	EQUIVALENT CIRCUIT	VOLTAGE
5	CP	Flying Capacitor Positive Terminal		-
6	CN	Flying Capacitor Positive Terminal		-
8	REF	Reference Voltage Input		-

## ■ TYPICAL CHARACTERISTICS

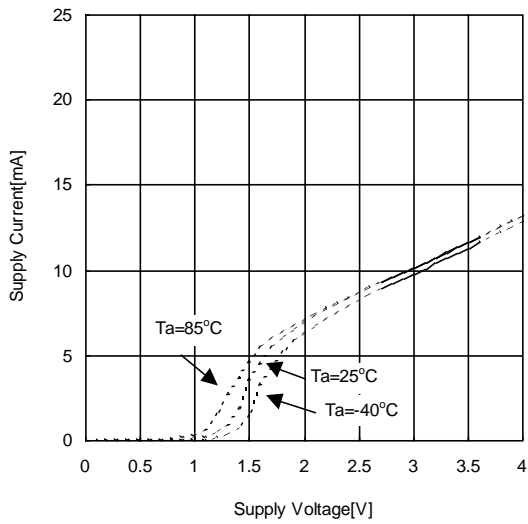
**Supply Current vs Temperature**  
 $V_{+}=3.3V$ ,  $R_L=NoLoad$ ,  $MUTE=L$



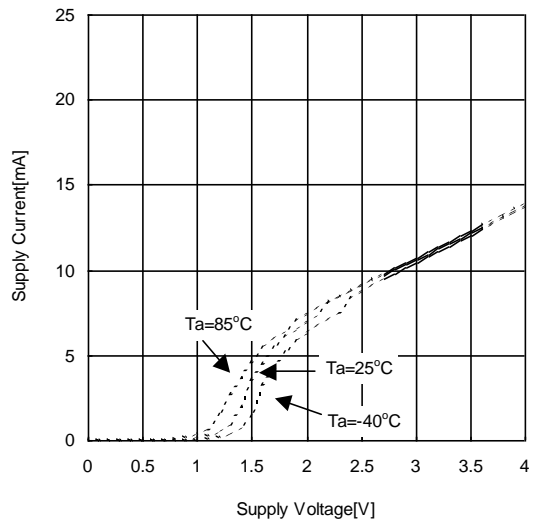
**Supply Current vs Temperature**  
 $V_{+}=3.3V$ ,  $R_L=NoLoad$ ,  $MUTE=H$



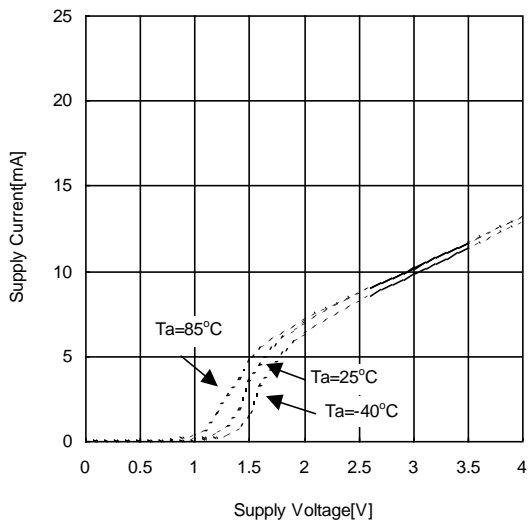
**Supply Current vs Supply Voltage**  
 $R_L=NoLoad$ ,  $MUTE=L$ ,  $GAIN=L$



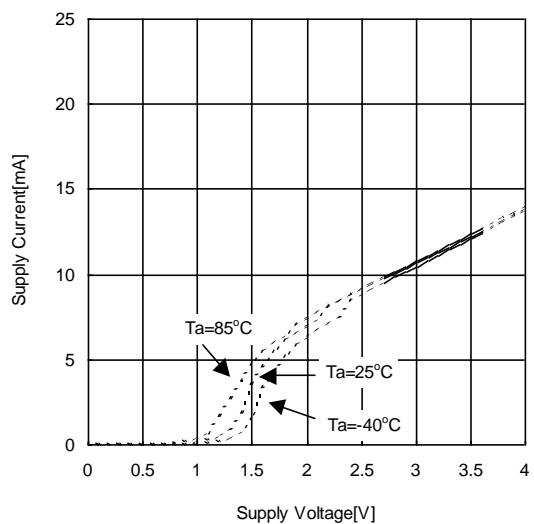
**Supply Current vs Supply Voltage**  
 $R_L=NoLoad$ ,  $MUTE=H$ ,  $GAIN=L$

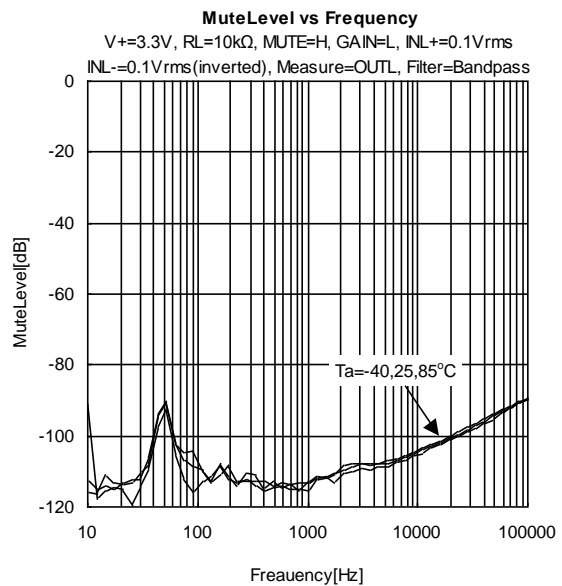
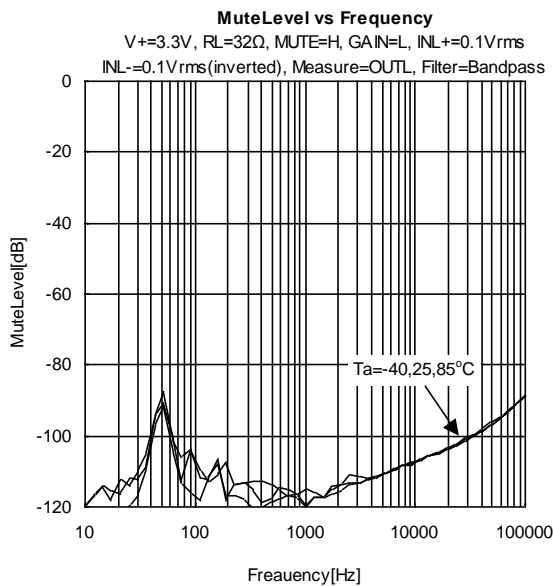
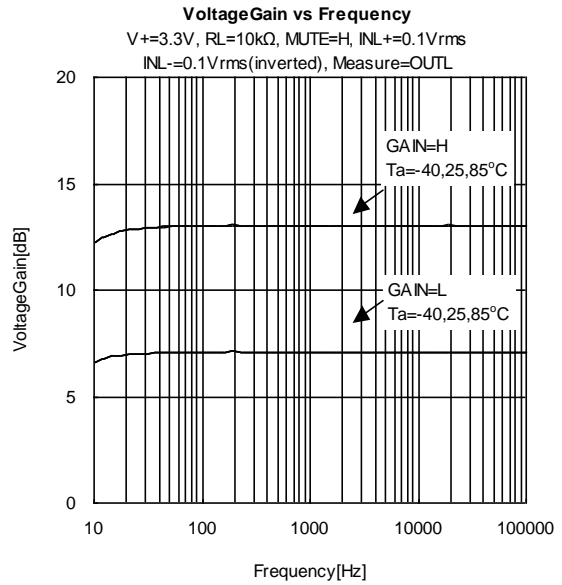
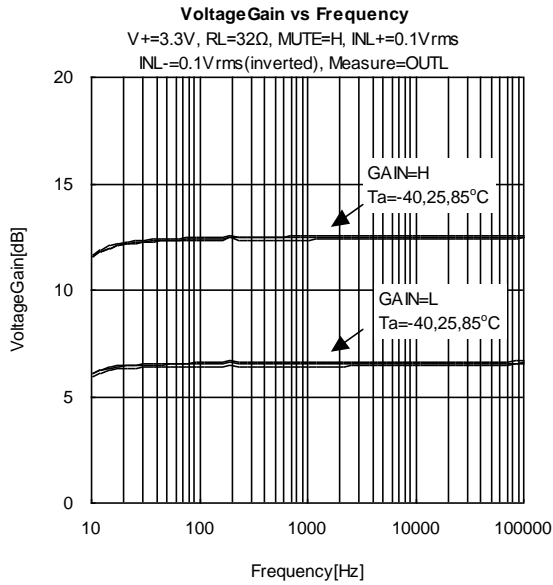
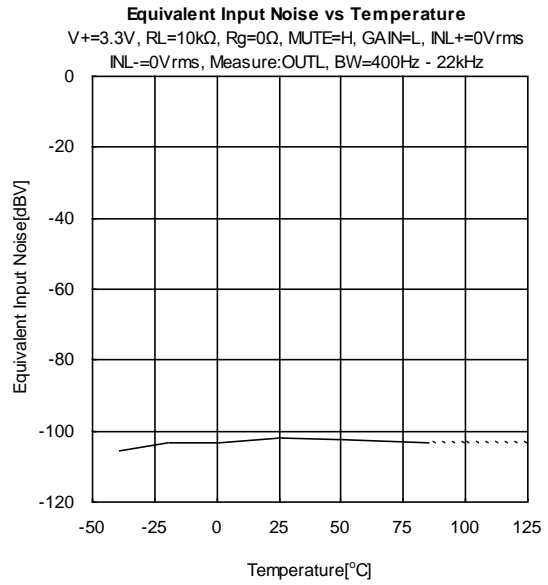
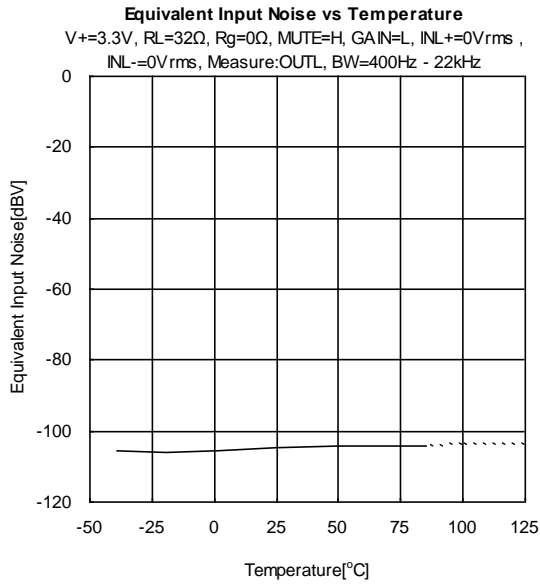


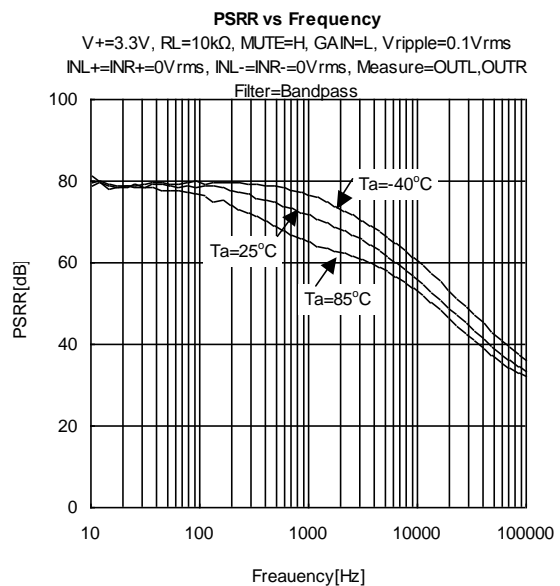
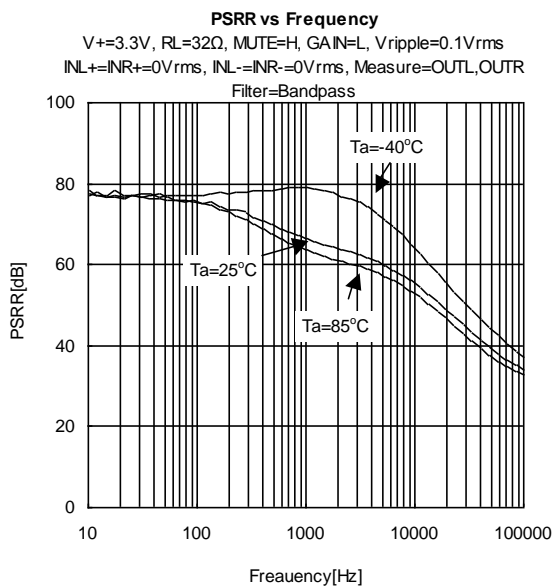
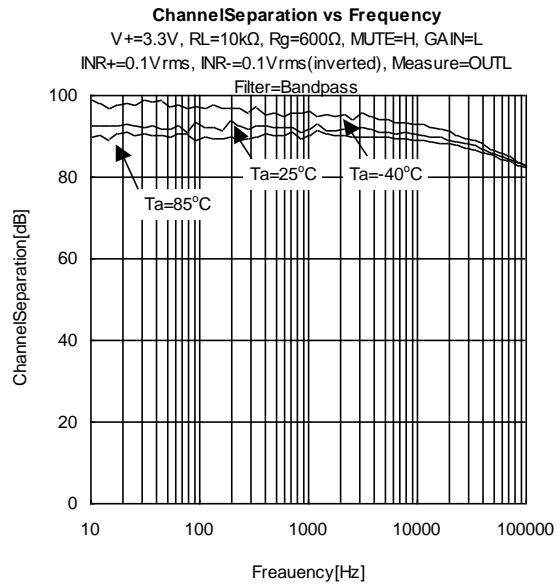
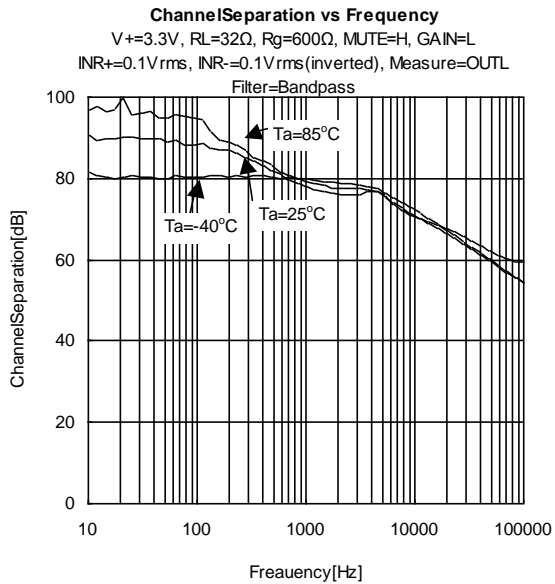
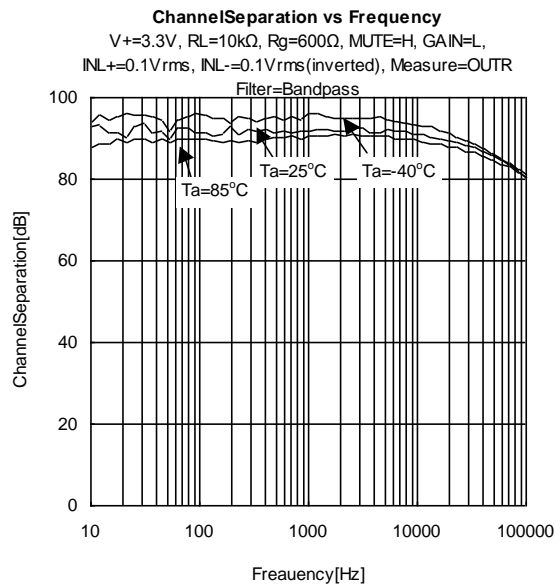
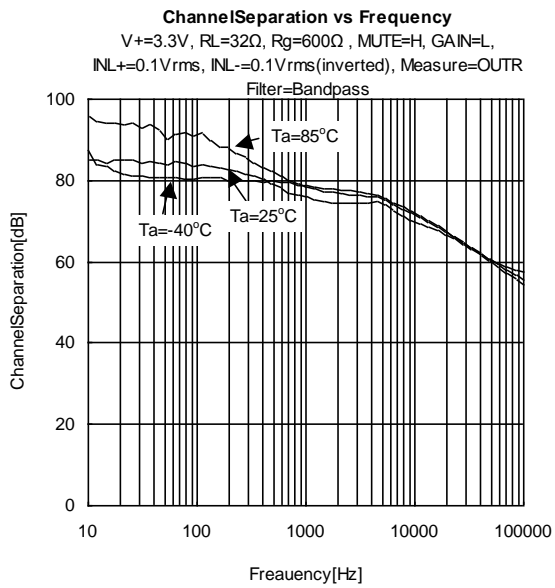
**Supply Current vs Supply Voltage**  
 $R_L=NoLoad$ ,  $MUTE=L$ ,  $GAIN=H$



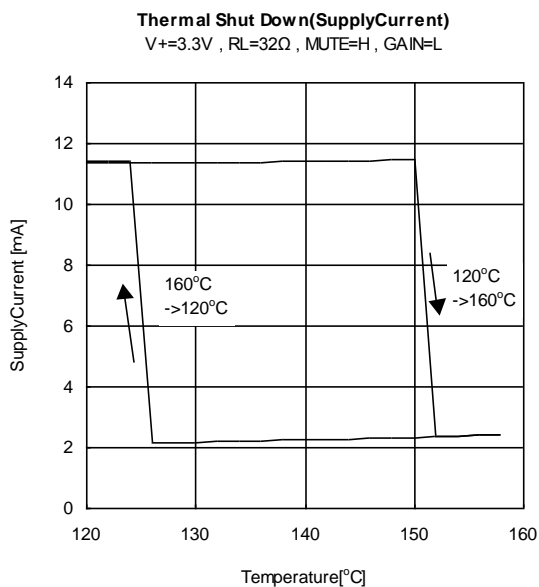
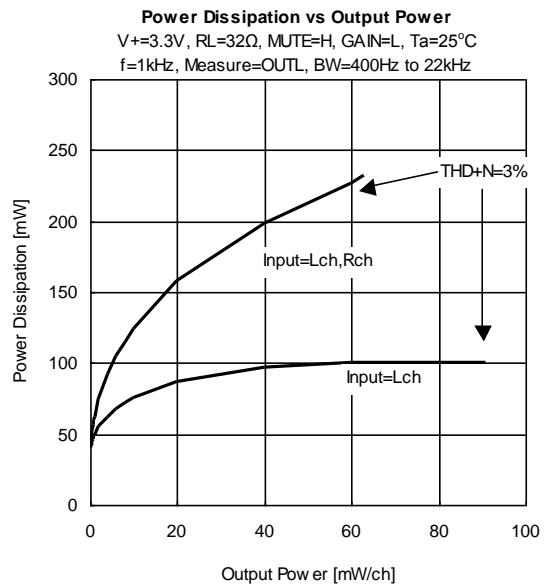
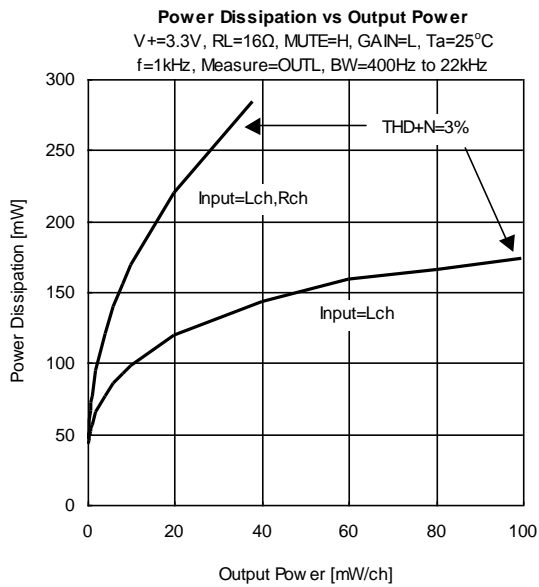
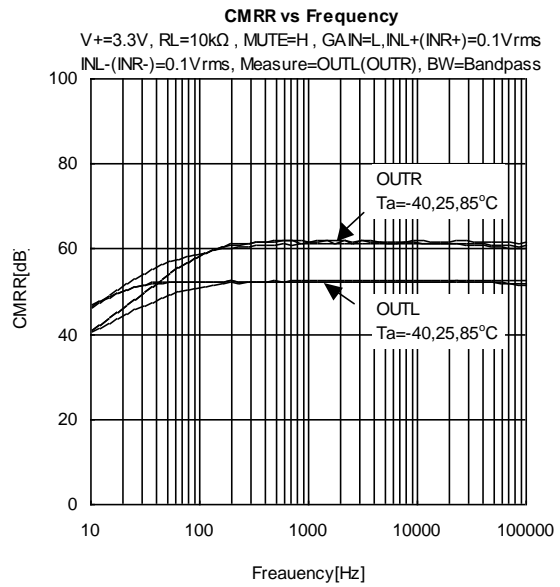
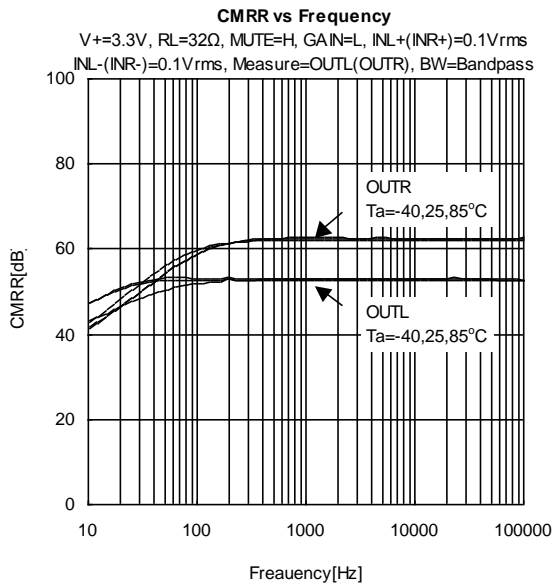
**Supply Current vs Supply Voltage**  
 $R_L=NoLoad$ ,  $MUTE=H$ ,  $GAIN=H$

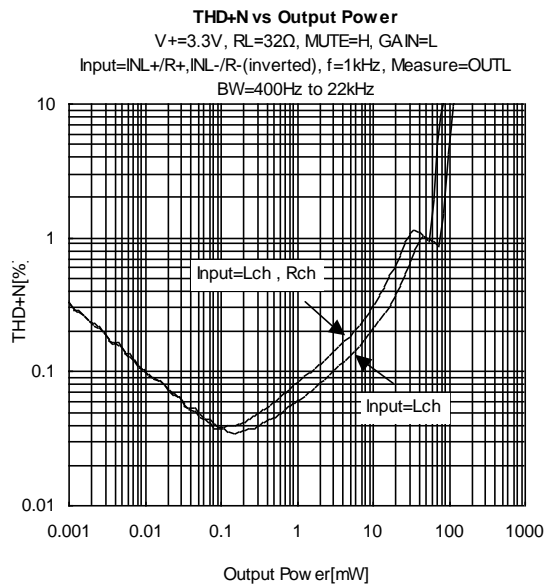
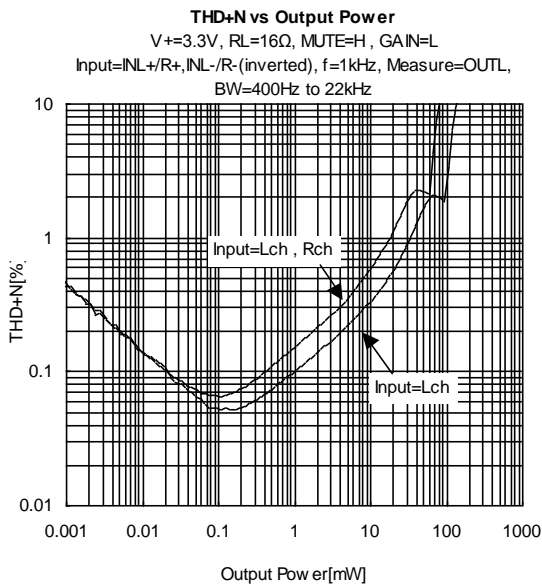
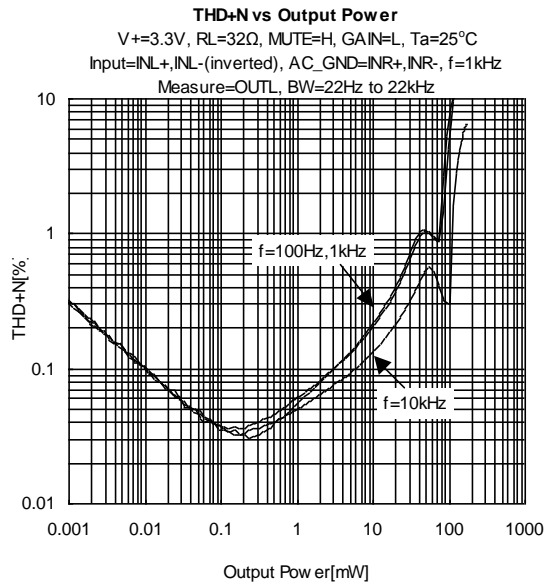
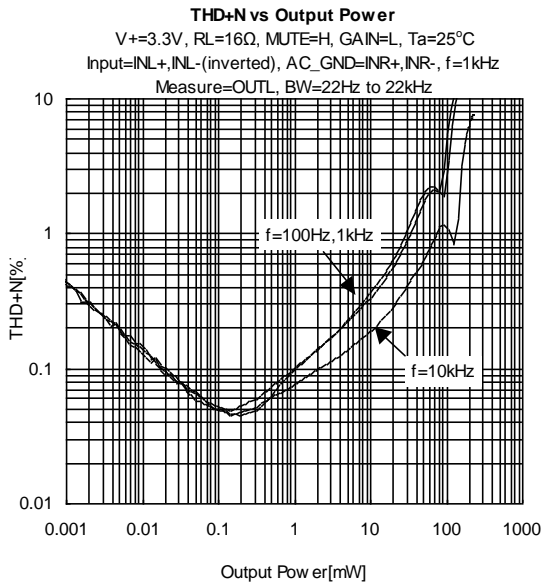
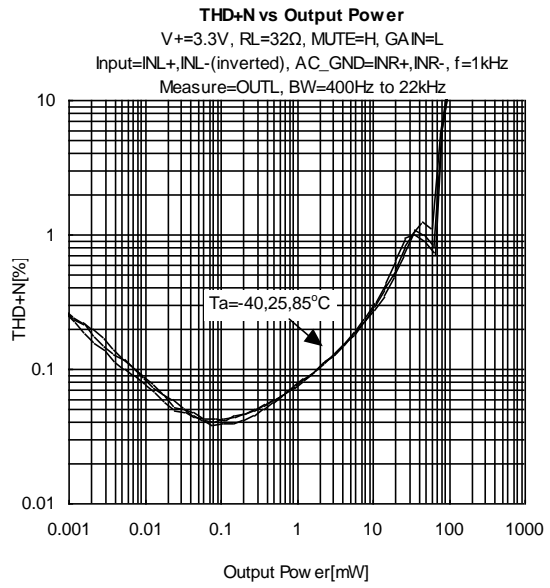
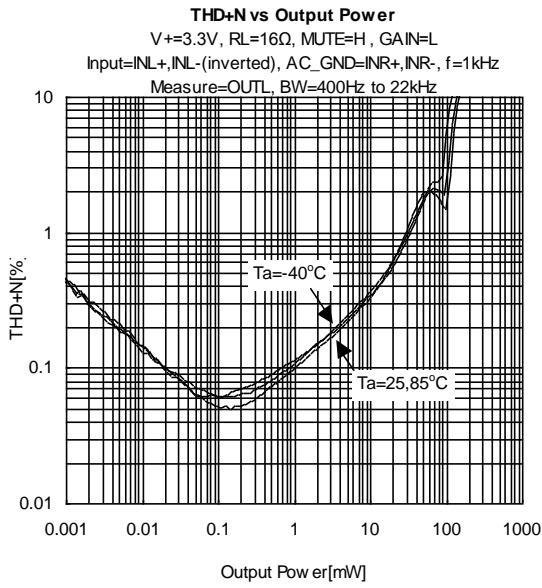


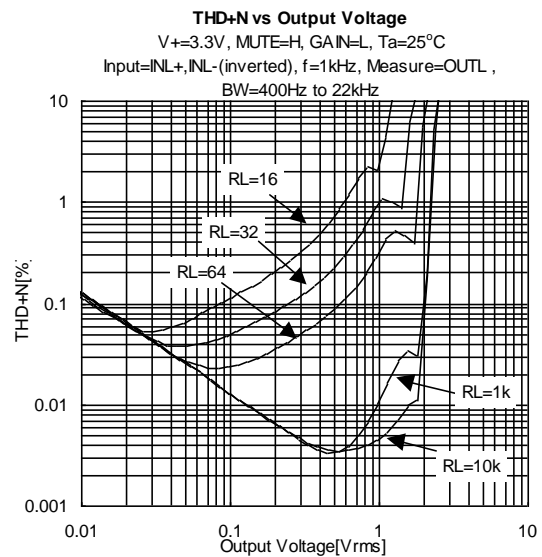
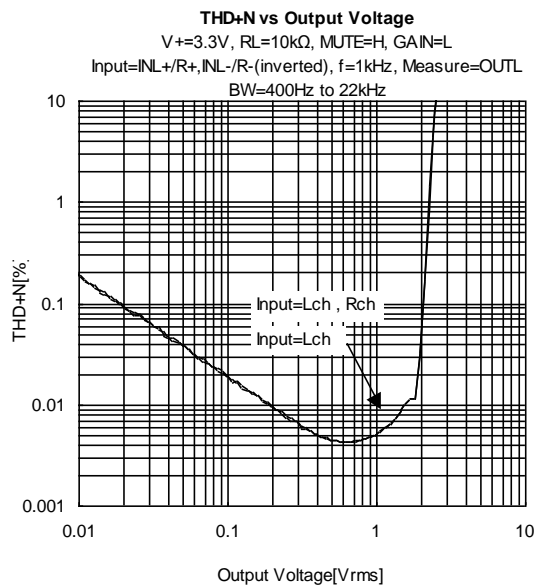
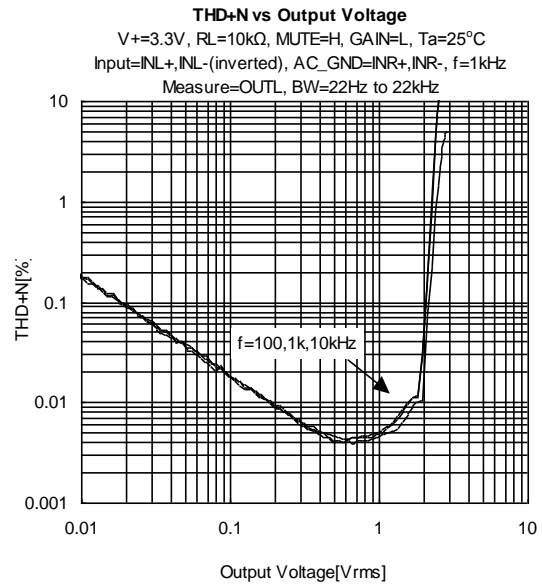
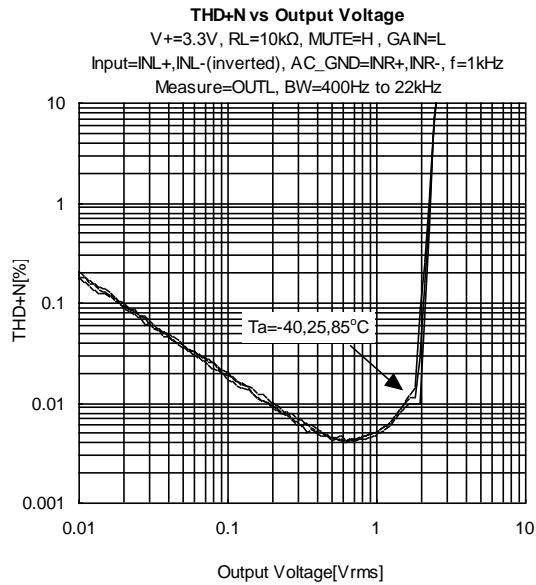












**[CAUTION]**

The specifications on this databook are only given for information, without any guarantee as regards either mistakes or omissions. The application circuits in this databook are described only to show representative usages of the product and not intended for the guarantee or permission of any right including the industrial rights.

# Mouser Electronics

Authorized Distributor

Click to View Pricing, Inventory, Delivery & Lifecycle Information:

[Nisshinbo Micro Devices:](#)

[NJU72040V-TE2](#)