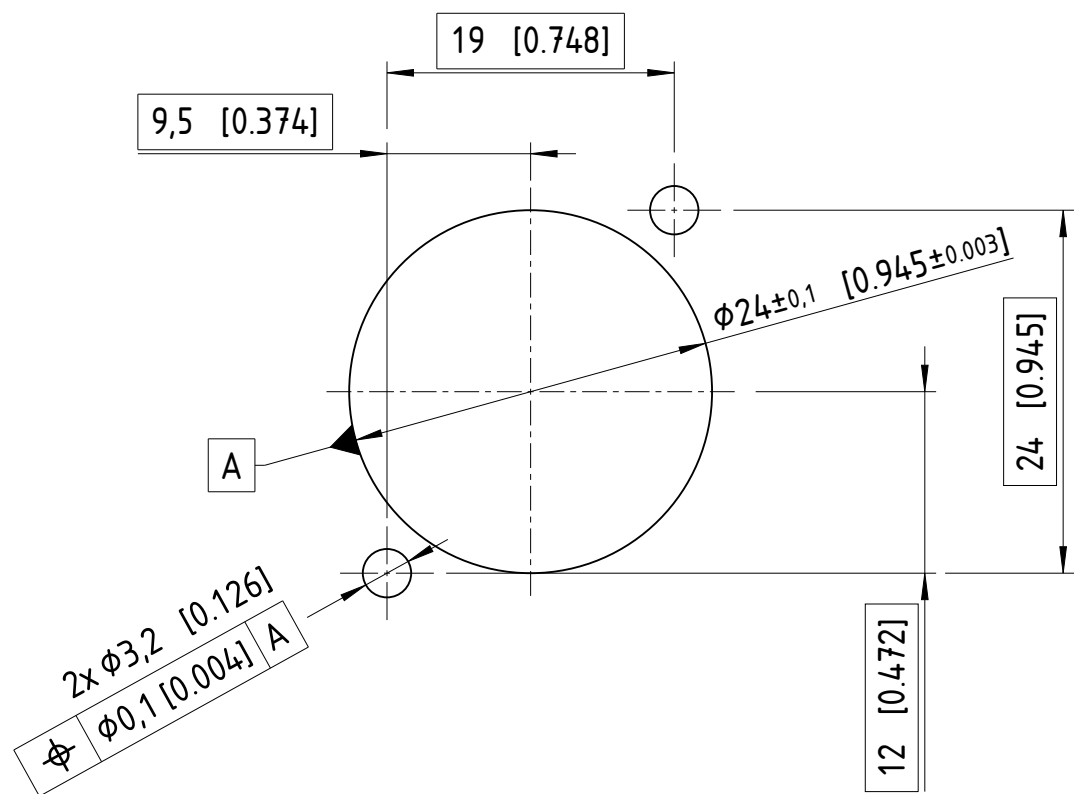


Panel cut out (rear side)



1:1

|                     |                |                |                |                                    |                      |
|---------------------|----------------|----------------|----------------|------------------------------------|----------------------|
| Sheet Number<br>1/1 | Projection<br> | Scale<br>1.5:1 | Format<br>A3   | General Tolerancing<br>ISO 2768 mK |                      |
| Description         |                |                | Created on/by  | 09.02.2023                         | Frenzel S.           |
| NC5MDXX-TOP         |                |                | Approved on/by | 21.03.2024                         | Jutz B.              |
|                     |                |                | Article ID     | Model ID                           | Drawing ID           |
|                     |                |                | NC5MDXX-TOP    | 30010283                           | 20004449             |
| Status              | Revision       |                | ECN Number     |                                    | <b>Neutrik Group</b> |
| Released            | A              |                | 2024-1169      |                                    |                      |

# Mouser Electronics

Authorized Distributor

Click to View Pricing, Inventory, Delivery & Lifecycle Information:

[Neutrik:](#)

[NC5MDXX-TOP](#)