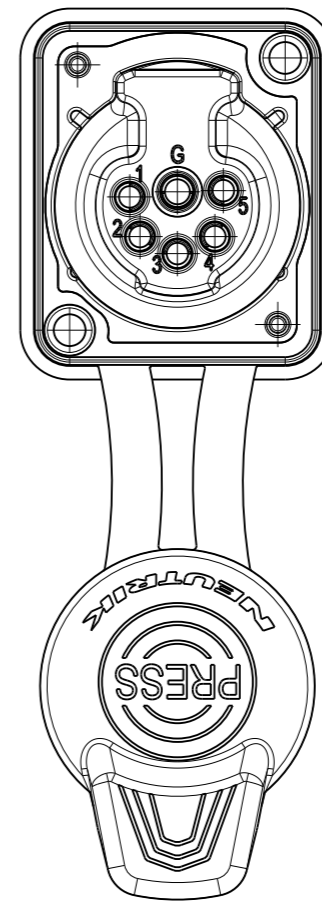
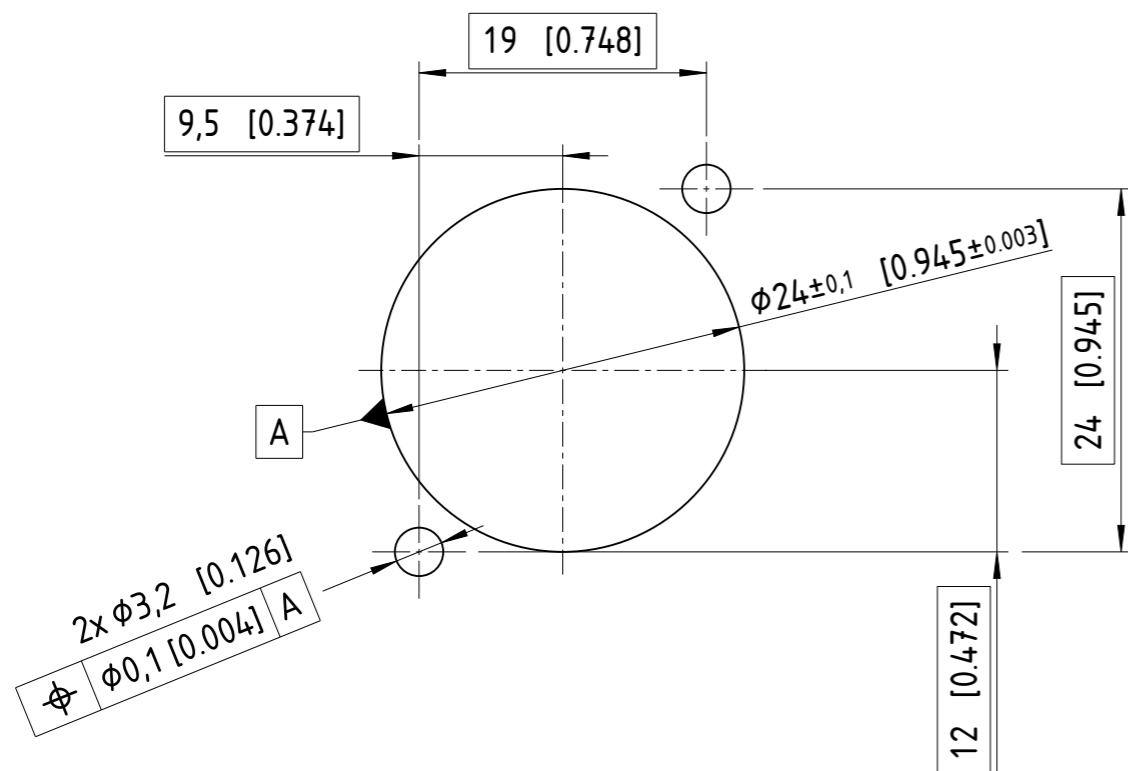


Panel cut out (rear side)



1:1

Sheet Number 1/1	Projection 	Scale 1.5:1	Format A3	General Tolerancing ISO 2768 mK	
Description			Created on/by	23.01.2023	Frenzel S.
NC5FDXX-TOP			Approved on/by	22.03.2024	Jutz B.
			Article ID NC5FDXX-TO P	Model ID 30010372	Drawing ID 20004599
Status Released	Revision A	ECN Number 2024-1169	Neutrik Group		

Mouser Electronics

Authorized Distributor

Click to View Pricing, Inventory, Delivery & Lifecycle Information:

[Neutrik:](#)

[NC5FDXX-TOP](#)