

**WIT2450M2**

**Low-Cost  
FHSS  
Transceiver  
Module**

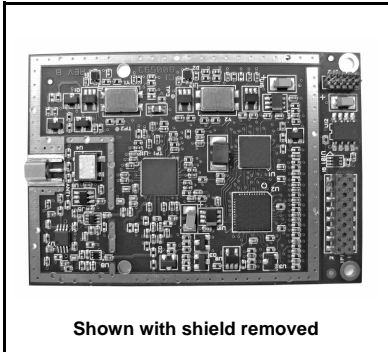
**Features:**

- **High speed wireless serial data transmission**
- **Robust 2.4 GHz frequency hopping spread spectrum technology**
- **3.3 volt operation**
- **Small size, light weight**
- **Certified for unlicensed operation in the USA, Canada and Europe**

**Benefits:**

- **Suitable for point-to-point and point-to-multipoint networks**
- **High immunity to interference and multipath fading**
- **Easy to integrate**
- **Worldwide license-free operation**
- **RoHS Compliant**
- **Low cost**

WIT2450M2 low-cost transceiver modules are designed to transmit serial data using robust 2.4 GHz frequency hopping spread spectrum (FHSS) technology. WIT2450M2 modules employ Murata's beacon-synchronized CSMA at an RF data rate of 460.8 kb/s to support a large number of remotes. WIT2450M2 transceivers are suitable for both point-to-point and point-to-multipoint networks. FHSS technology provides immunity to both interference and multipath fading. The small size and light weight of these transceiver modules make them suitable for a variety of applications. WIT2450M2 modules are certified for unlicensed operation in the USA, Canada and Europe.



**General Specifications**

RF Frequency Range	2400 to 2483 MHz					
Radio Certifications	FCC Part 15.247, Canadian RSS-210 and European ETS 300.328					
Operating Range	Indoor - 450 to 900 ft, outdoor -3000 ft with dipole antenna, more than 6 miles with gain antennas					
Network Topologies	Point-to-point and point-to-multipoint (star)					
Network Protocol	High remote capacity CSMA with option for limited TDMA					
Error Detection and Correction	24-bit CRC and ARQ					
Serial Data Interface	Asynchronous (UART) CMOS signals, 3.3 V, 5 V tolerant					
Serial Data Rate	Up to 230.4 kb/s, software selectable					
RF Data Rate	460.8 kb/s					
Number of Frequency Channels	86					
RF Bandwidth	900 kHz					
Transmit Power Output	10, 18 or 24 dBm, software selectable					
Receiver Sensitivity	-92 dBm @ 10-5 BER					
Supply voltage	3.3 to 10 V, 5 to 10 V required for 24 dBm transmit power					
Current Consumption 24 dBm Transmit Power, 115.2 kb/s Serial Data Rate	Remote Operation:	Power Down Sleep	2 $\mu$ A 750 $\mu$ A	Base Station Operation:	Receive Transmit	155 mA 250 mA
		Unlocked Receive	150 mA			
		Locked Receive	75 mA			
		Transmit	250 mA			
Size	69.85 x 47.75 x 4.57 mm					
Weight	28 g					
Operating Temperature	-40 C to +70 C					
Humidity	20% to 90% (non-condensing)					

## Large Network Support

WIT2450M2 modules transmit at an RF data rate of 460.8 kb/s using beacon-synchronized CSMA to support large point-to-multipoint (star) network applications. Serial communications between a WIT2450M2 module and its host can run at up to 230.4 kb/s to further speed data communication.

## Reliable

WIT2450M2 modules provide both reliable communication and reliable operation. Using robust frequency hopping spread spectrum technology, WIT2450M2 modules provide immunity to interference and multipath fading. Using a 24-bit CRC for error detection, automatic retransmit request (ARQ) and a 3K data buffer, error-free transparent communication is automatic. Built-in data scrambling adds a measure of security. Reliable operation is assured through RFM's stringent QA processes. All WIT2450M2 modules are manufactured in an ISO9000 certified facility.

## Simple

Simple to integrate and use, the WIT2450M2's default parameter settings work for most applications. For other applications, software control makes changing parameter settings easy. The WIT2450M2, with its small size and low power consumption, is simple to integrate into your product. The WIT2450M2's RS-232 style interface with standard 3.3 volt CMOS signal levels makes integration easy. Since WIT2450M2 modules are certified for license free operation in the USA, Canada and Europe, your WIT2450M2 based product does not have to repeat radio regulatory approval.

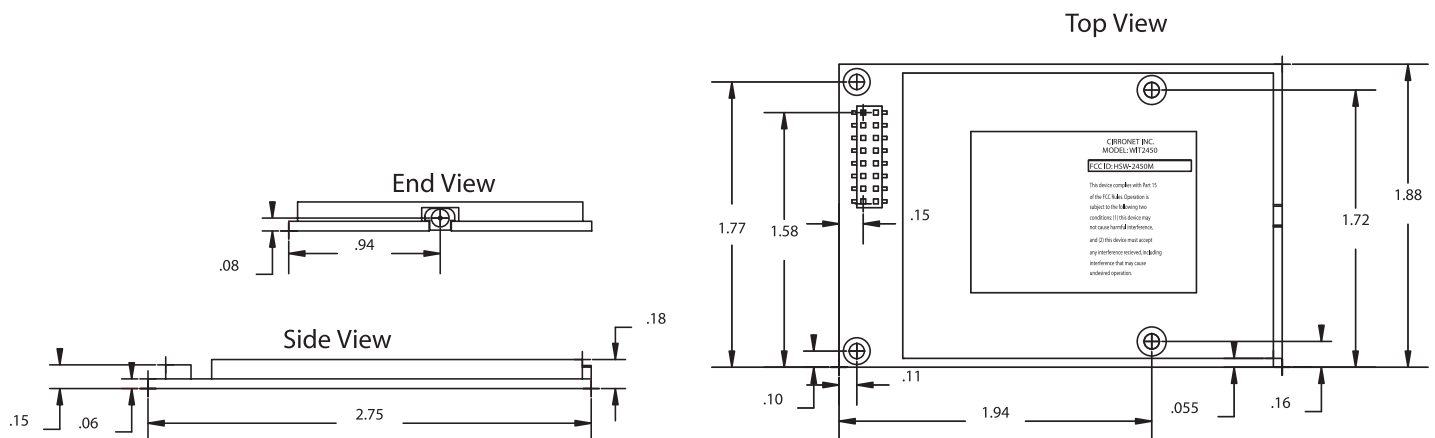
## Versatile

WIT2450M2 operating parameters are configurable under software control. Even the transmitter power level can be selected using a straight- forward command set. Both point-to-point and point-to-multipoint modes are supported. Baud rates from 1.2 to 230.4 kb/s are provided for serial communication between a WIT2450M2 and its host. Measuring just 69.85 x 47.75 x 4.57 mm and weighing 28 grams, the WIT2450M2 can be integrated into fixed, portable or handheld devices with little impact on the size and weight.

## Connector I/O Pins

Pin	Signal	Type	Description
1	GND	-	Signal and chassis ground
2	TxD	Input	Data input to be transmitted
3	RxD	Output	Received data output
4	CFG	Input	Configuration select, used to switch radio between data and control mode
5	RTS	Input	Request to send input, used for receive flow control by the host
6	Sleep/DTR	Input	Module sleep/DTR input, sleep is active high
7	DCD	Output	Data carrier detect, indicates FHSS synchronization on remotes
8	CTS	Output	Clear to send output, used for receive flow control by the radio
9	RSSI	Output	Received signal strength indicator (analog signal)
13	RSSI Strobe	Output	High signal indicates valid RSSI
14	Power Down	Input	Low power mode input, active low
16	Vcc	Power	Positive supply - minimum 3.3 V, nominal 5.0 V, maximum 10.0 V

## Physical Specifications - dimensions in inches



# Mouser Electronics

Authorized Distributor

Click to View Pricing, Inventory, Delivery & Lifecycle Information:

[Murata:](#)

[WIT2450M2](#)