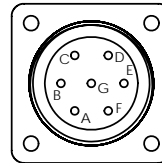
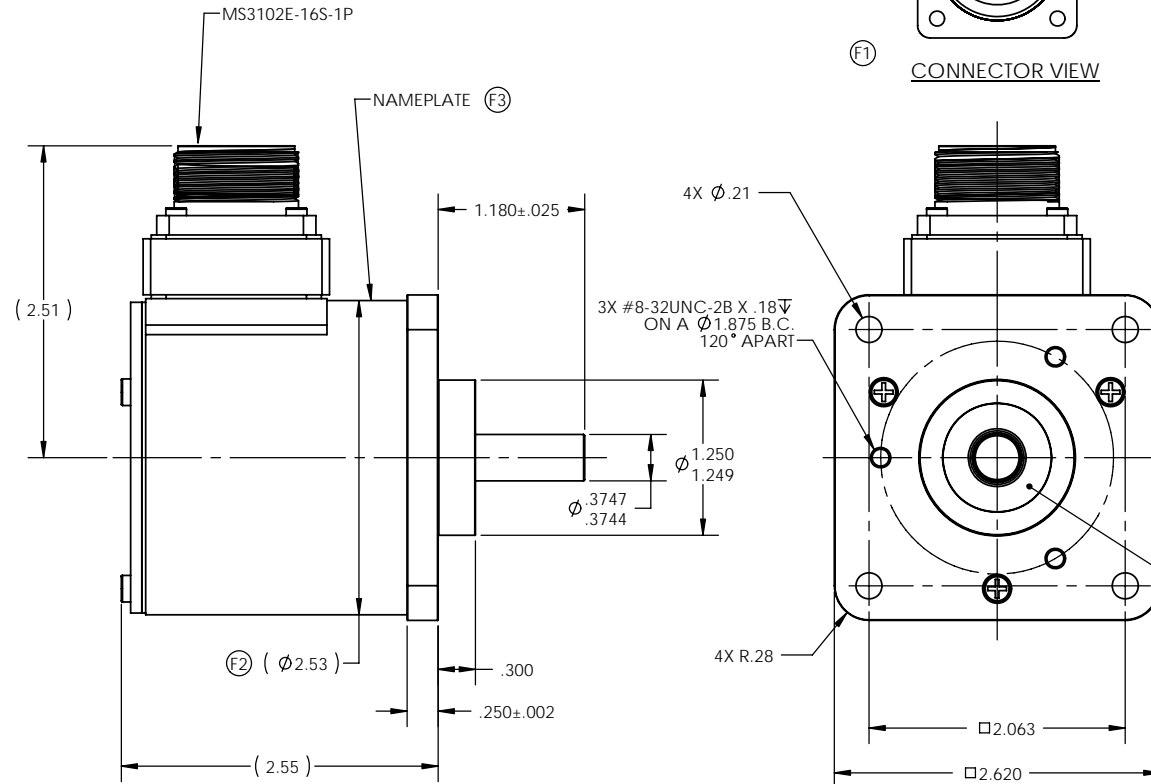


MODEL NUMBER
R25-FBSRY

REVISIONS					
REV	ECO	DESCRIPTION	DATE	BY	CHECKED
A	14925	NEW DRAWING	9/96	-	RKT
B	16048	SEE ECO	7/99	-	RKT
C	16114	SEE ECO	9/99	-	RKT
D	16650	SEE ECO	1/01	-	RKT
E	D8978	SEE ECO	7/12/005	DDK	DRW
F	D7929	SEE ECO	2/14/2007	DDK	DRW



(F1) CONNECTOR VIEW



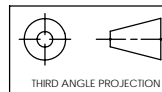
NOTES:

- VIBRATION OF .06" DOUBLE AMPLITUDE OR 15g PK AT 10 TO 2000 Hz PER MIL-S-81963.
- SHOCK OF 50g PK OF 11±1 MILLISECOND TIME DURATION. HALF SINE WAVEFORM PER MIL-S-81963.

(F4)

MECHANICAL DATA		
TEMPERATURE RANGE	°C	-55 TO +125
WEIGHT	NOM. LB	1.6
RADIAL PLAY MAX	@ 1 LBF LOAD	0.0015
END PLAY MAX	@ 5 LBF LOAD	0.005
SHAFT LOAD, RADIAL @ SHAFT END	LBF MAX	40
SHAFT LOAD, AXIAL @ SHAFT END	LBF MAX	20
CONTINUOUS SPEED	MAX KRPM	20

SHAFT SEAL



THE INFORMATION CONTAINED IN THIS DRAWING IS THE SOLE PROPERTY OF HAROWE. ANY REPRODUCTION IN PART OR WHOLE WITHOUT THE WRITTEN PERMISSION OF HAROWE IS PROHIBITED.

APPROVALS	DATE
DRAWN DH	9/96
CHECKED AL	9/7/99
DES ENG RKT	9/7/99

UNLESS OTHERWISE SPECIFIED:
DIMENSIONS ARE IN INCHES
SHARP EDGES BROKEN .005/010
INSIDE CORNERS R.015 MAX

INTERPRETATION PER
ASME Y14.3M-1994

UNLESS OTHERWISE SPECIFIED:
TOLERANCES:
- DIMENSION ±.01
- ANGLE ±0.005
- CHAMFER ±10°

DANAHER
SENSORS & CONTROLS

OUTLINE & PERFORMANCE SPECIFICATION

INDUSTRIAL RESOLVER BRUSHLESS

SIZE B DWG. NO. R25-FBSRY

SCALE 1:1 SHEET 1 OF 3 CODE IDENT: 58655

Mouser Electronics

Authorized Distributor

Click to View Pricing, Inventory, Delivery & Lifecycle Information:

[Delevan:](#)

[R25-FBSRY-2A1000](#) [R25-FBSRY-1C1000](#) [R25-FBSRY-3A0500](#) [R25-FBSRY-1B0700](#) [R25-FBSRY-1B1000](#) [R25-FBSRY-1B2000](#) [R25-FBSRY-1F0700](#)