

NOTES:

1. MATERIALS: HOUSING - LIQUID CRYSTAL POLYMER (LCP), GLASS-FILLED, UL94V-0, COLOR: BLACK  
TERMINAL - COPPER ALLOY
2. FINISH: SELECTIVE GOLD (Au) IN CONTACT AREA, 0.00076mm MINIMUM THICKNESS; SELECTIVE TIN/LEAD (Sn/Pb) ON PCB TAILS, 0.00254 MINIMUM THICKNESS; NICKEL (Ni) OVERALL
3. THIS PART CONFORMS TO MOLEX PRODUCT SPECIFICATION PS-73670-9999.
4. DIMENSIONS ARE IN MILLIMETERS.

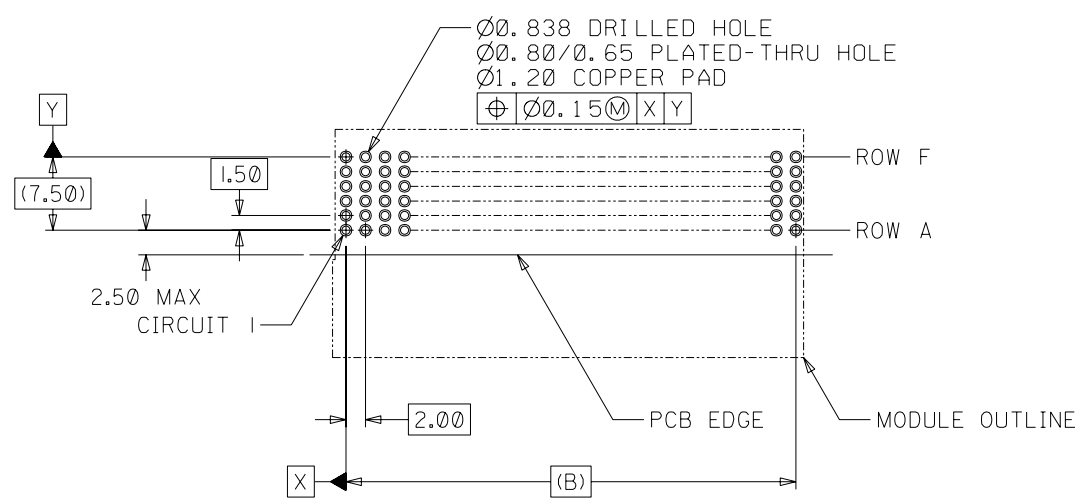
2	BI
1	C
MFG.	SH. REV.

		BI	ADDED -0105, -1105, -2105 & -3105 ECR # UDT2002-1090 REED 02/03/07	DIMENSIONS SHOWN (METRIC) INCH UNLESS OTHERWISE SPECIFIED TOLERANCES: ANGULAR ± 1/2°
		B	REVISED ECN # UDT1998-0115 REED 97/04/14	INCH METRIC 3 PLACE ± N/A --- 2 PLACE ± N/A ± 0.05 1 PLACE --- ± 0.10
C	VOIDED SHTS. 3 & 4 ECR # UDT2002-1431 REED 02/06/18	A	RELEASED FOR PROD. PER ECN # U70526 REED 97/01/08	DRAFT WHERE APPLICABLE MUST REMAIN WITHIN DIMENSIONS
LTR.	REVISIONS	LTR.	REVISIONS	DRWG. BY: JRR CHK'D. BY: SMR APP'D. BY: CAB SCALE: 2 : 1

▽ = 0	▼ = 0	REVISE ONLY ON CAD SYSTEM	
TITLE SALES ASSY, HDM UNSHIELDED DAUGHTERCARD MODULE, SOLDER TAIL			
MOLEX MOLEX INCORPORATED LISLE, ILL. 60532 U.S.A.		SHEET NO. 1 OF 2	DATE 96/07/22
PART NO. SEE SHEET 2		DRWG. NO. SDA-73632-*1**	
THIS DRAWING CONTAINS INFORMATION THAT IS PROPRIETARY TO MOLEX INC. AND SHOULD NOT BE USED WITHOUT WRITTEN PERMISSION.			
FILE NAME S73632U1 DGN	DIV. DA	SIZE B	

10 9 8 7 6 5 4 3 2 1

MATERIAL NUMBER	DIM "A"	DIM "B"	DIM "P"	NUMBER OF SIGNAL CONTACTS
73632-0100	24.18	22.00	2.00	72
73632-0105			2.22	
73632-0110			2.50	
73632-0115			2.75	
73632-0120			3.00	
73632-0130			3.50	
73632-0140			4.00	
73632-1100	48.18	46.00	2.00	144
73632-1105			2.22	
73632-1110			2.50	
73632-1115			2.75	
73632-1120			3.00	
73632-1130			3.50	
73632-1140			4.00	



PCB LAYOUT: COMPONENT SIDE  
RECOMMENDED PCB THICKNESS: 1.60 MIN.

LTR.	REVISIONS	LTR.	REVISIONS
		B1	SEE SHEET 1
		B	SEE SHEET 1
		A	SEE SHEET 1

DIMENSIONS SHOWN (METRIC) INCH			
UNLESS OTHERWISE SPECIFIED TOLERANCES: ANGULAR ± 1/2°			
	INCH	METRIC	
3 PLACE	± N/A	---	
2 PLACE	± N/A	± N/A	
1 PLACE	---	± N/A	
DRAFT WHERE APPLICABLE MUST REMAIN WITHIN DIMENSIONS			
DRWG. BY	JRR	CHK'D. BY	SMR
APP'D. BY	CAB	SCALE	2 : 1

▽ = 0   ▼ = 0   REVISE ONLY ON CAD SYSTEM

TITLE: SALES ASSY, HDM UNSHIELDED DAUGHTERCARD MODULE, SOLDER TAIL

MOLEX INCORPORATED U.S.A. SHEET NO. 2 DATE 96/07/22

PART NO. SEE CHART DRWG. NO. SDA-73632-\*\*\*

FILE NAME: S73632U2 DGN

THIS DRAWING CONTAINS INFORMATION THAT IS PROPRIETARY TO MOLEX INC. AND SHOULD NOT BE USED WITHOUT WRITTEN PERMISSION.

DIV. DA SIZE B

10 9 8 7 6 5 4 3 2 1

# Mouser Electronics

Authorized Distributor

Click to View Pricing, Inventory, Delivery & Lifecycle Information:

[Molex:](#)

[73632-1140](#)