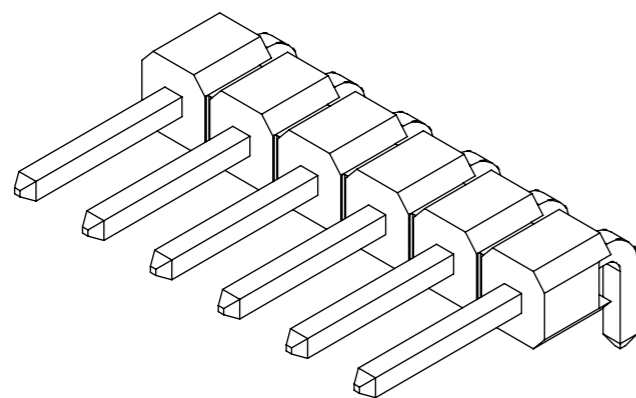
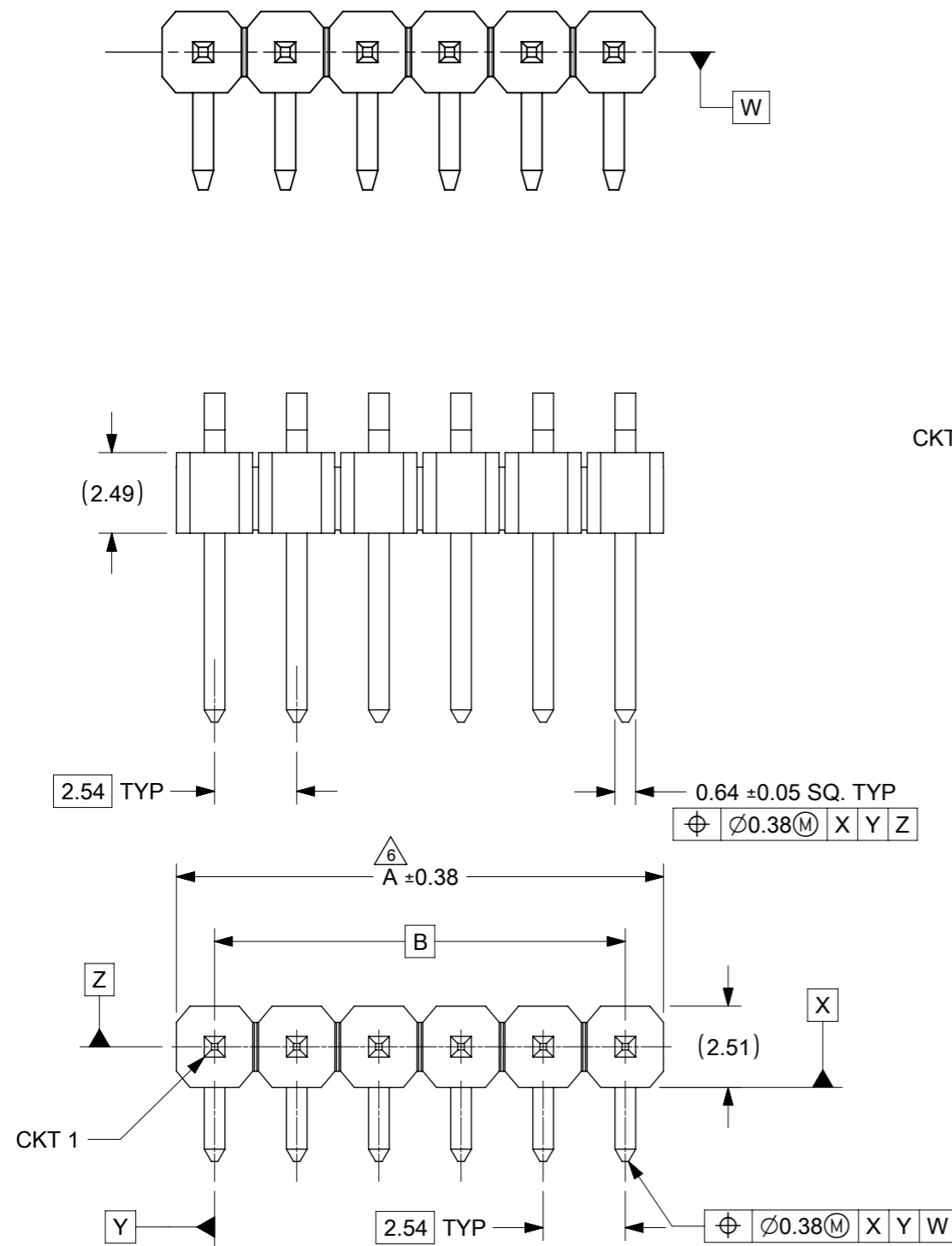
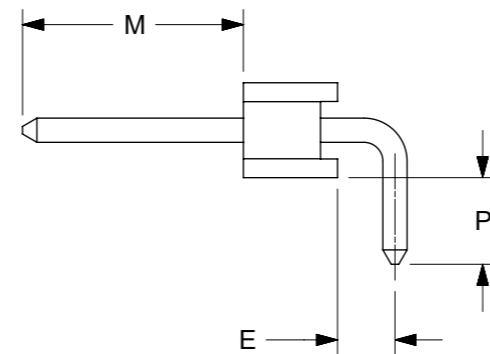
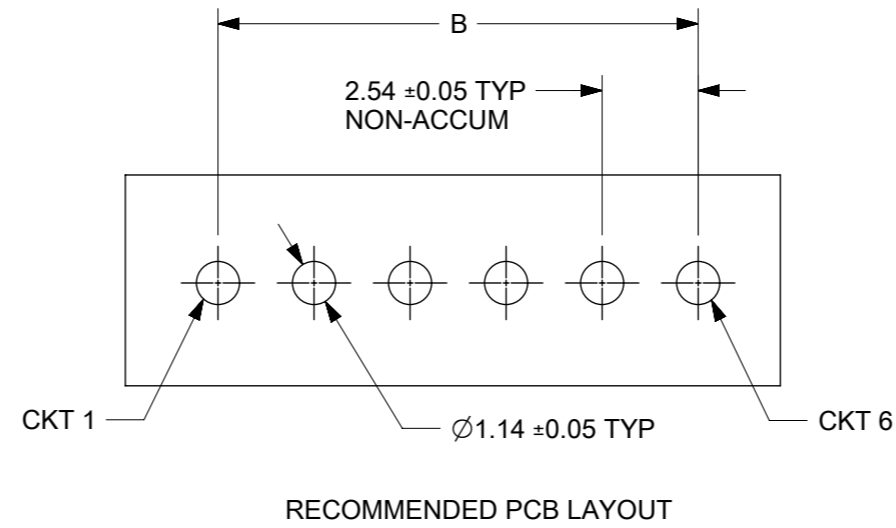


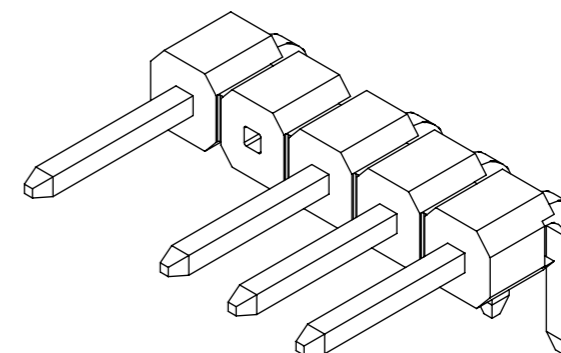
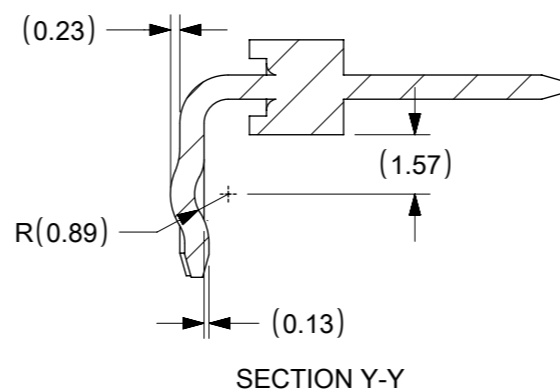
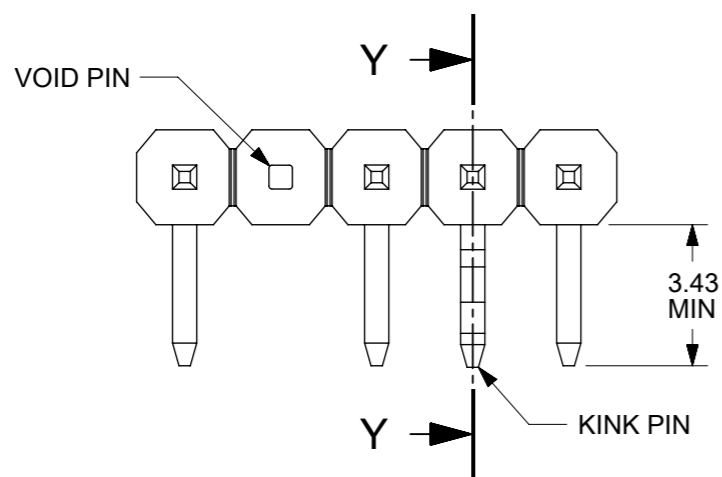
NOTES

1. MATERIAL:
HSG: NYLON, GLASS-FILLED, UL94V-0, COLOR: BLACK
PIN: 0.64MM SQ, COPPER ALLOY
2. PLATING TYPE:
 - (1) GOLD FLASH OVER
1.25µm MIN. NICKEL OVERALL.
 - (2) GOLD FLASH ON CONTACT AND
2.50µm MIN. TIN ON SOLDER TAIL OVER
1.25µm MIN. NICKEL OVERALL.
 - (3) 0.38µm MIN. GOLD PLATE ON CONTACT AND
2.00µm MIN. TIN ON SOLDER TAIL OVER
1.25µm MIN. NICKEL OVERALL.
 - (4) 0.75µm MIN. GOLD PLATE ON CONTACT AND
2.00µm MIN. TIN ON SOLDER TAIL OVER
1.25µm MIN. NICKEL OVERALL.
 - (5) 2.50µm MIN. TIN OVERALL
1.25µm MIN. NICKEL OVERALL
3. PRODUCT SPECIFICATION: PS-87920-019
4. PACKAGING TYPE: SEE TABLE
5. WAFER TO BE FLAT WITHIN 0.003 mm/mm
6. IRREGULAR CIRCUIT CUTOFF WITHIN BREAKAWAY SECTION IS PERMISSIBLE. CUTTING OR CHIPPING OF THE MAIN BODY IS NOT ACCEPTABLE
7. RECOMMENDED PCB THICKNESS IS 1.60mm±0.10
8. THE ABOVE CKT 6 IS FOR ILLUSTRATION PURPOSE ONLY
9. PACKAGING SPECIFICATION:
 - (1) TUBE: PK-89990-516
 - (2) TUBE: PK-89990-578
 - (3) TRAY: PK-89990-489
TRAY: 878970331-RPK (ONLY FOR 87897-0331)
 - (4) BULK: PK-89990-491



THIS DRAWING CONTAINS INFORMATION THAT IS PROPRIETARY TO MOLEX ELECTRONIC TECHNOLOGIES, LLC AND SHOULD NOT BE USED WITHOUT WRITTEN PERMISSION		CURRENT REV DESC: BRIGHT TIN PHASE OUT		molex	
DIMENSION UNITS		SCALE			
mm		NTS		2.54MM PITCH S/ROW HDR. S/WAFER, RIGHT ANGLE	
GENERAL TOLERANCES (UNLESS SPECIFIED)				PRODUCT CUSTOMER DRAWING	
		MM		INCH	
4 PLACES	±		±	EC NO: 679909	
3 PLACES	±		±	DRWN: AKUMAR19 2021/06/28	
2 PLACES	±	0.2	±	CHK'D: MRAMAKRISHNA 2021/10/11	
1 PLACE	±		±	APPR: MRAMAKRISHNA 2021/10/11	
0 PLACES	±		±	INITIAL REVISION:	
ANGULAR TOL		± 3.0°		DRWN: SKLIM01 2006/10/18	
DRAFT WHERE APPLICABLE MUST REMAIN WITHIN DIMENSIONS		THIRD ANGLE PROJECTION		APPR: KWLEE 2006/12/13	
DRAWING		SERIES		DOCUMENT NUMBER	
A3-SIZE		87897		SD-87897-011	
MATERIAL NUMBER		CUSTOMER		DOC TYPE	
SEE TABLE		GENERAL MARKET		PSD	
SHEET NUMBER				DOC PART	
1 OF 3				REVISION	
				C10	

PART WITH KINKED PIN AND VOIDED PIN
(FOR REFERENCE USED ONLY)

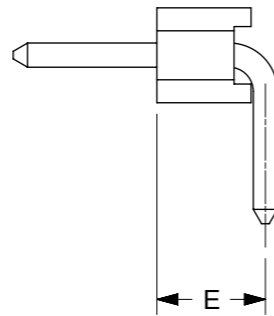


THIS DRAWING CONTAINS INFORMATION THAT IS PROPRIETARY TO MOLEX ELECTRONIC TECHNOLOGIES, LLC AND SHOULD NOT BE USED WITHOUT WRITTEN PERMISSION										
DIMENSION UNITS		SCALE		CURRENT REV DESC: BRIGHT TIN PHASE OUT				molex		
mm		NTS								
GENERAL TOLERANCES (UNLESS SPECIFIED)								CUSTOM HEADER		
								2.54MM PITCH S/ROW HDR. S/WAFER, RIGHT ANGLE		
								PRODUCT CUSTOMER DRAWING		
4 PLACES ±		±		EC NO: 679909		DOCUMENT NUMBER		DOC TYPE	DOC PART	REVISION
3 PLACES ±		±		DRWN: AKUMAR19		2021/06/28		PSD	001	C10
2 PLACES ±		0.2 ±		CHK'D: MRAMAKRISHNA		2021/10/11				
1 PLACE ±		±		APPR: MRAMAKRISHNA		2021/10/11				
0 PLACES ±		±		INITIAL REVISION:						
ANGULAR TOL ±		3.0°		DRWN: SKLIM01		2006/10/18				
				APPR: KWLEE		2006/12/13				
DRAFT WHERE APPLICABLE MUST REMAIN WITHIN DIMENSIONS				THIRD ANGLE PROJECTION		DRAWING	SERIES	MATERIAL NUMBER	CUSTOMER	SHEET NUMBER
						A3-SIZE	87897	SEE TABLE	GENERAL MARKET	2 OF 3

CKT SIZE	DIMENSION	
	A	B
2	5.08	2.54
3	7.62	5.08
4	10.16	7.62
5	12.7	10.16
6	15.24	12.7
7	17.78	15.24
8	20.32	17.78
9	22.86	20.32
10	25.4	22.86
11	27.94	25.4
12	30.48	27.94
13	33.02	30.48
14	35.56	33.02
15	38.1	35.56
16	40.64	38.1
17	43.18	40.64
18	45.72	43.18
19	48.26	45.72
20	50.8	48.26
21	53.34	50.8
22	55.88	53.34
23	58.42	55.88
24	60.96	58.42
25	63.5	60.96
26	66.04	63.5
27	68.58	66.04
28	71.12	68.58
29	73.66	71.12
30	76.2	73.66
31	78.74	76.2
32	81.28	78.74
33	83.82	81.28
34	86.36	83.82
35	88.9	86.36
36	91.44	88.9
37	93.98	91.44
38	96.52	93.98
39	99.06	96.52
40	101.6	99.06

PACKAGING OPTION PART NO.			CKT SIZE	KINK POSITION	VOID POSITION	PLATING TYPE	DIMENSION			PK SPEC
TUBE	TRAY	BULK					MATING END	SOLDER TAIL	E	
-	-	87897-0200	2	-	-	5	6.75	2.90	1.75	4
-	-	87897-0212	2	-	-	5	6.75	2.90	1.75	4
-	87897-0299	-	2	-	-	5	8.00	5.29	1.52	3
87897-0300	-	-	3	-	-	5	5.30	3.20	2.87	1
-	87897-0331	-	3	-	-	5	11.00	3.00	5.00	3
87897-0428	-	-	4	-	CKT # 2 & 3	5	3.00	3.00	2.54	1
-	87897-0431	-	4	-	CKT # 2 & 3	5	12.76	3.54	5.00	3
87897-0500	-	-	5	-	-	5	5.30	3.20	2.87	1
-	87897-0001	-	5	-	2, 3, 4	5	14.20	3.20	1.40	3
-	87897-0507	-	5	-	2, 3, 4	5	15.24	2.95	1.27	3
-	87897-1027	-	10	-	-	5	3.00	2.00	1.00	3
-	-	87897-1107	11	-	-	5	12.60	5.60	1.40	4

△ 1 BELOW DIMENSION (E) ONLY APPLIED FOR PART NUMBER 87897-0300 AND -0500



THIS DRAWING CONTAINS INFORMATION THAT IS PROPRIETARY TO MOLEX ELECTRONIC TECHNOLOGIES, LLC AND SHOULD NOT BE USED WITHOUT WRITTEN PERMISSION											
DIMENSION UNITS		SCALE		CURRENT REV DESC: BRIGHT TIN PHASE OUT							
mm		NTS									
GENERAL TOLERANCES (UNLESS SPECIFIED)				EC NO: 679909		DRWN: AKUMAR19		2021/06/28		CUSTOM HEADER	
				CHK'D: MRAMAKRISHNA		APPR: MRAMAKRISHNA		2021/10/11		2.54MM PITCH S/ROW HDR. S/WAFER, RIGHT ANGLE	
				INITIAL REVISION:		DRWN: SKLIM01		2006/10/18		PRODUCT CUSTOMER DRAWING	
				ANGULAR TOL ± 3.0°		APPR: KWLEE		2006/12/13		DOCUMENT NUMBER	
DRAFT WHERE APPLICABLE MUST REMAIN WITHIN DIMENSIONS				THIRD ANGLE PROJECTION		DRAWING		SERIES		MATERIAL NUMBER	
						A3-SIZE		87897		CUSTOMER	
						SEE TABLE		GENERAL MARKET		SHEET NUMBER	
										3 OF 3	

Mouser Electronics

Authorized Distributor

Click to View Pricing, Inventory, Delivery & Lifecycle Information:

[Molex:](#)

[87897-0331](#)