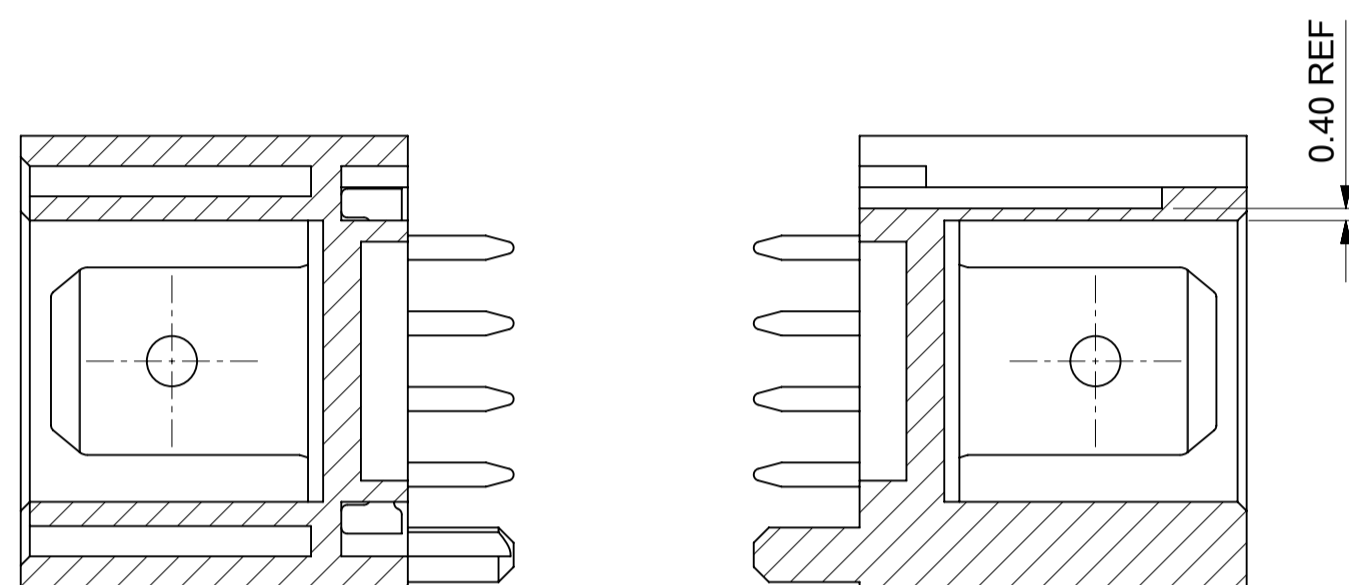
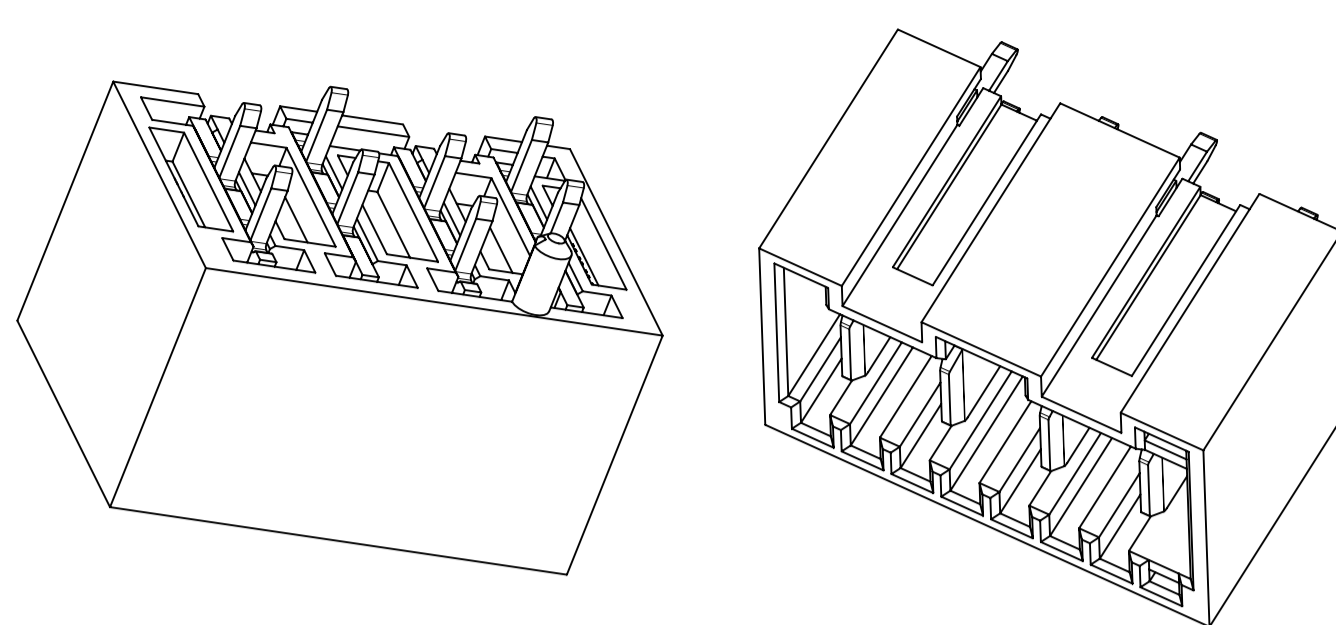
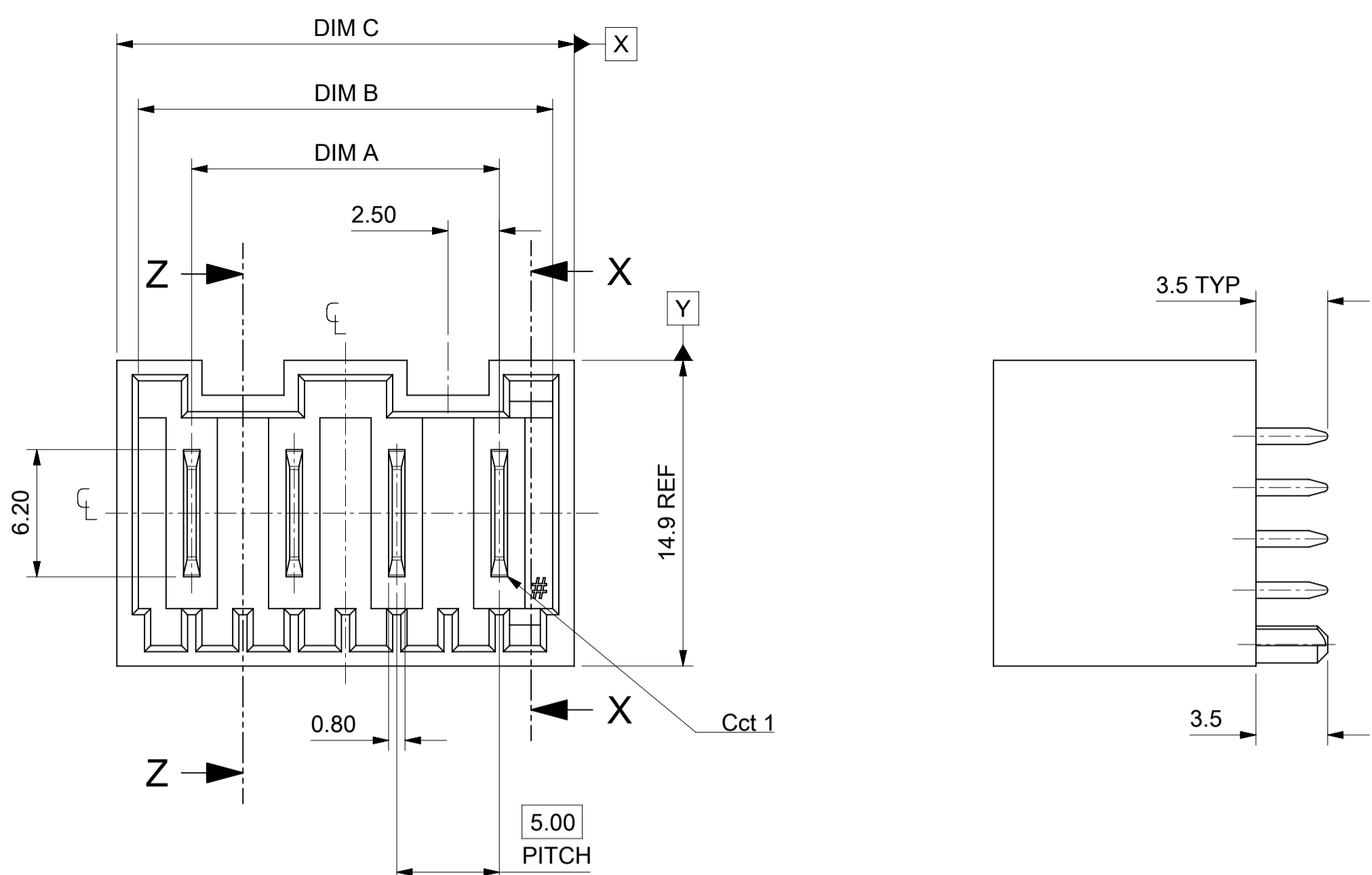
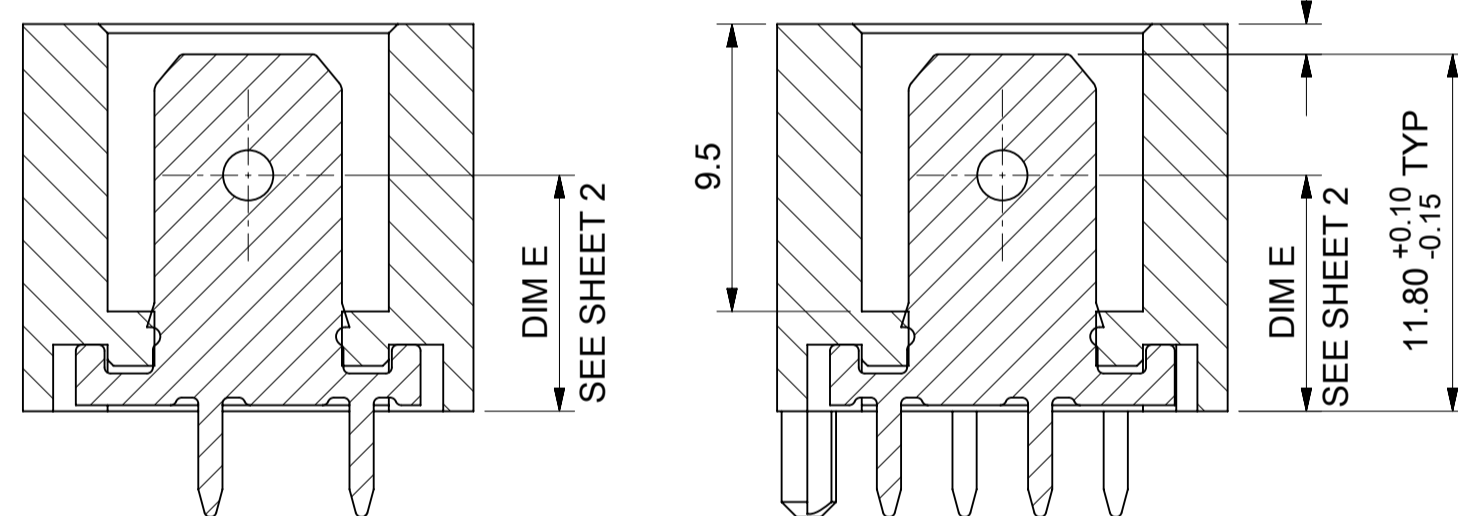


PCB POLARISATION OPTION A



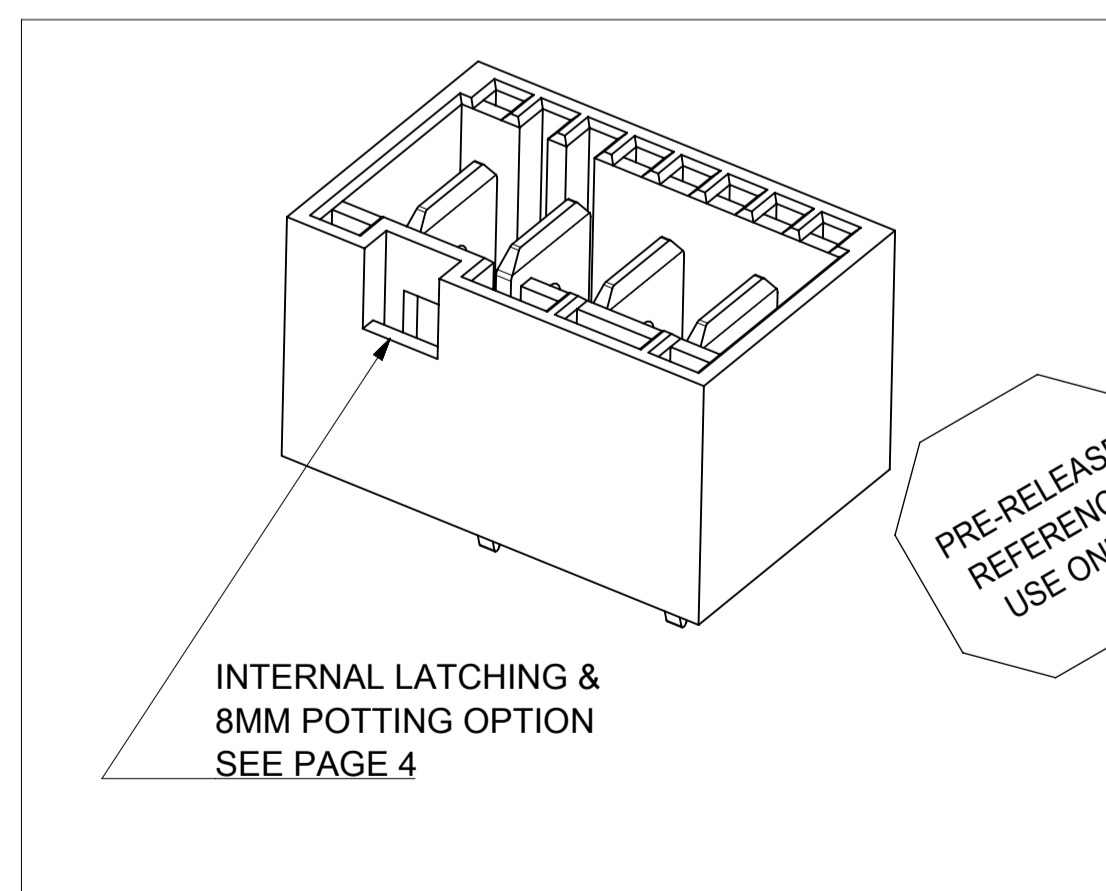
SECTION X-X

SECTION Z-Z



SECTION Y-Y

SECTION A-A

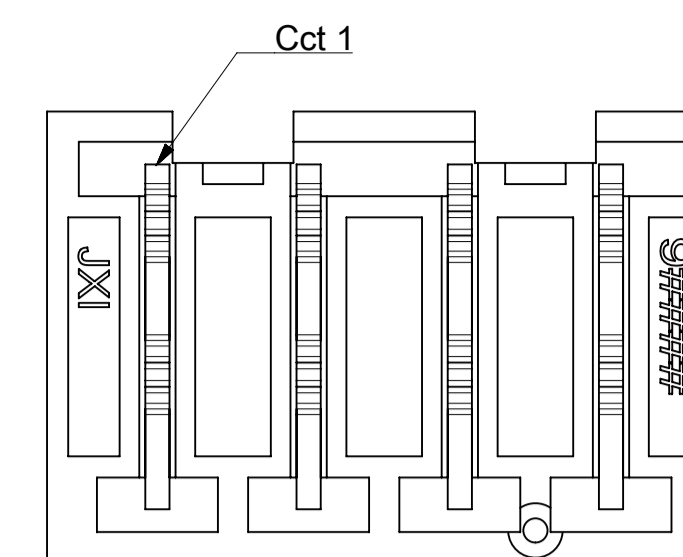


NOTES:

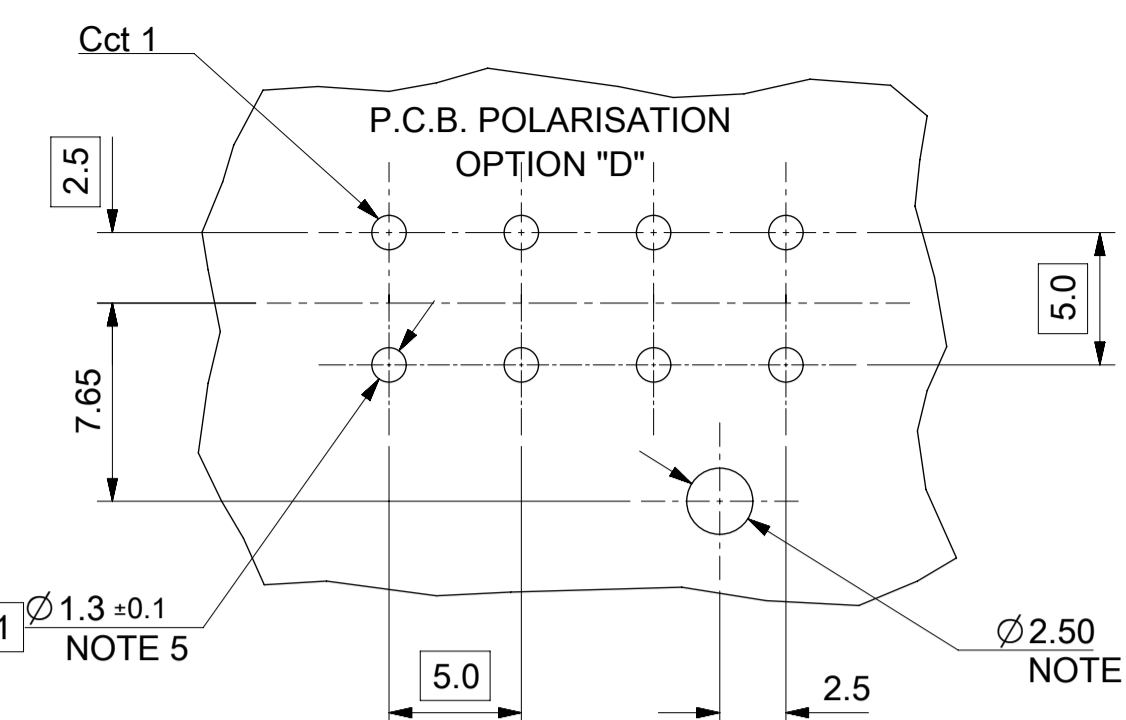
- MATERIALS**
HOUSING: PA 66 25%GF UL94 V-0 750°C GWT NO FLAME
COLOUR: SEE CHARTS
TERMINAL: BRASS 0.80REF. THICK
PLATING: OPTIONAL (SEE CHARTS)
TIN PLATING OPTION: 3µm TIN OVER
1.27µm MIN NICKEL ALL AREAS
SELECTIVE SILVER
CONTACT AREA: 2µm MIN SILVER OVER 1.27µm
NICKEL. ALL OTHER AREAS FLASH OF SILVER 0.10µm
- PRODUCT CONFORMS TO SPECIFICATION RPS-93229-001
- MATES WITH MOLEX 91338, 90833, 90835, 91777, 91778, 91779, 91886, 91954 & 92000.
- SEE PACKAGING SPECIFICATION PK-90858-001
TWO PACKAGING OPTIONS
"A" LOOSE IN POLYBAGS IN SHIPPING CARTON
"B" IN TUBES IN SHIPPING CARTON
"C" IN TRAY PACKAGING
SEE TABLES ON FOLLOWING SHEETS FOR PACKAGING TYPE FOR EACH PART NUMBER
- PLATED THRU HOLE
- NON-PLATED THRU HOLE
- RECOMMENDED PCB THICKNESS: 1.4±0.1mm
- PCB VIEW IS FROM SOLDER SIDE
- POTTING SOLUTION UP TO 6 MM MAX FROM PCB

CCT	DIM A	DIM B	DIM C	TOL
2	5.00	10.20	12.30	
3	10.00	15.20	17.30	
4	15.00	20.20	22.30	
5	20.00	25.20	27.30	+/-0.30
6	25.00	30.20	32.30	
7	30.00	35.20	37.30	
8	35.00	40.20	42.30	

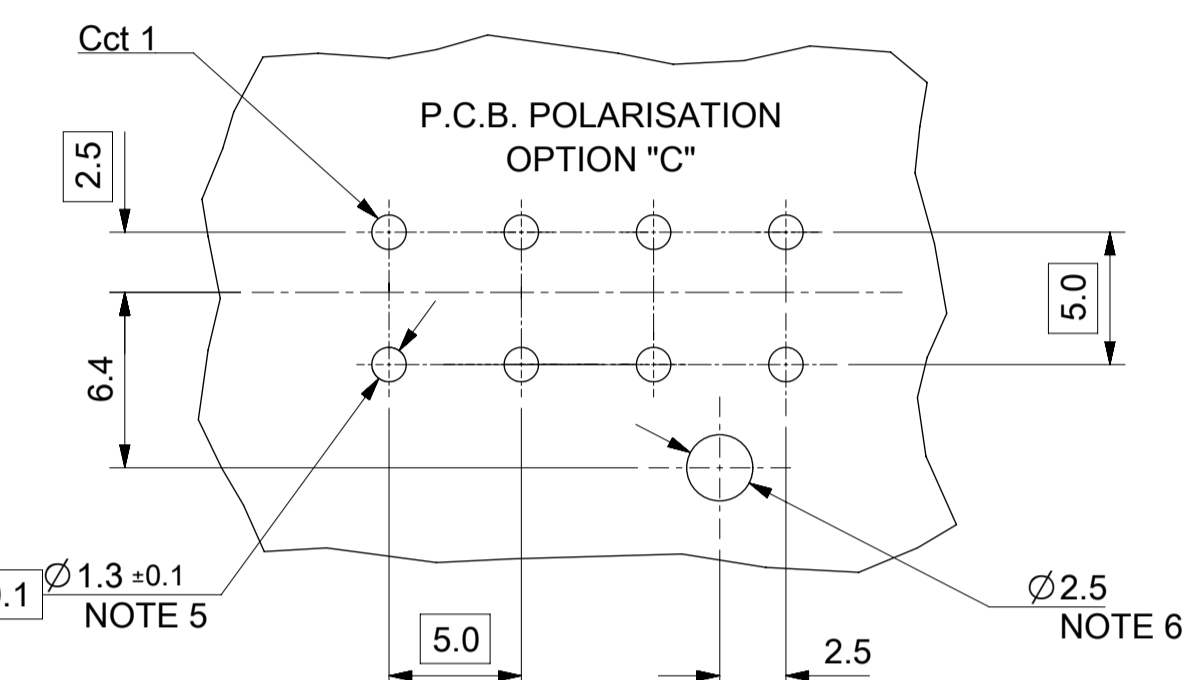
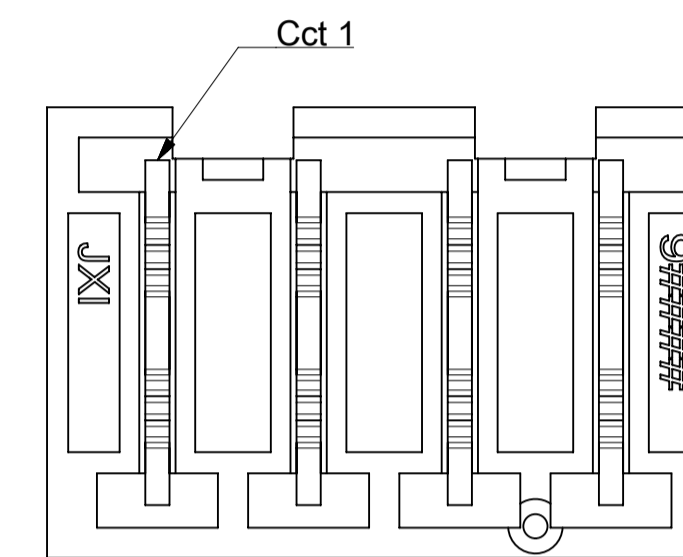
OPTION "D"



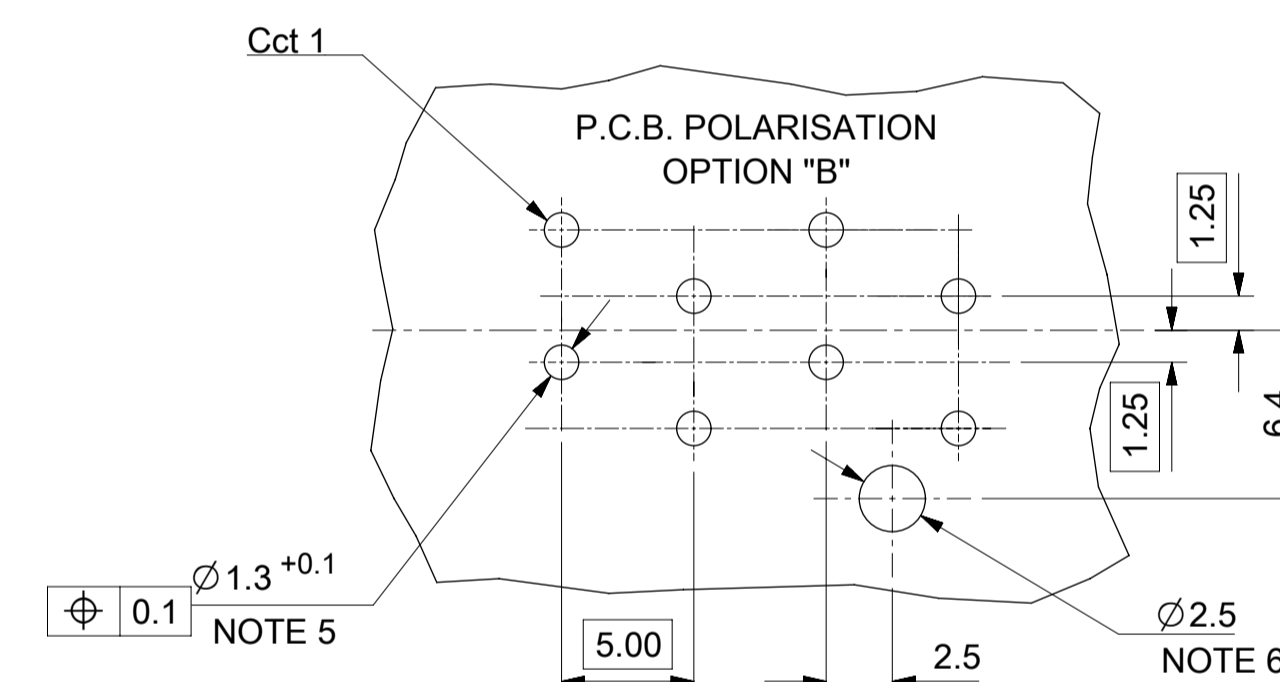
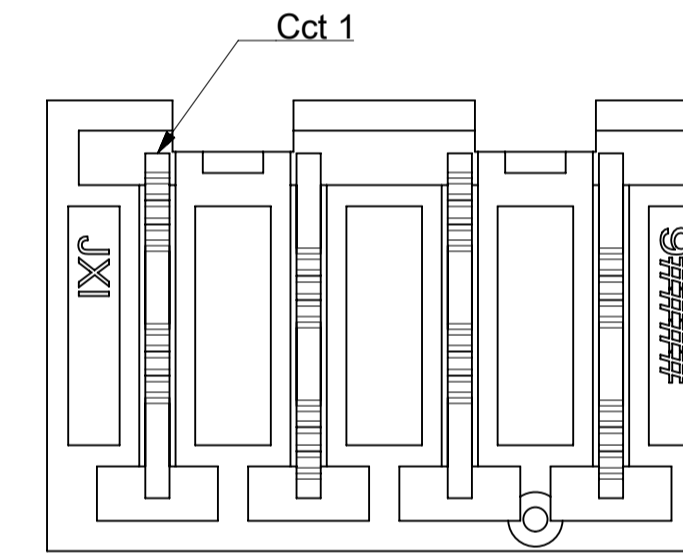
PCB LAYOUTS



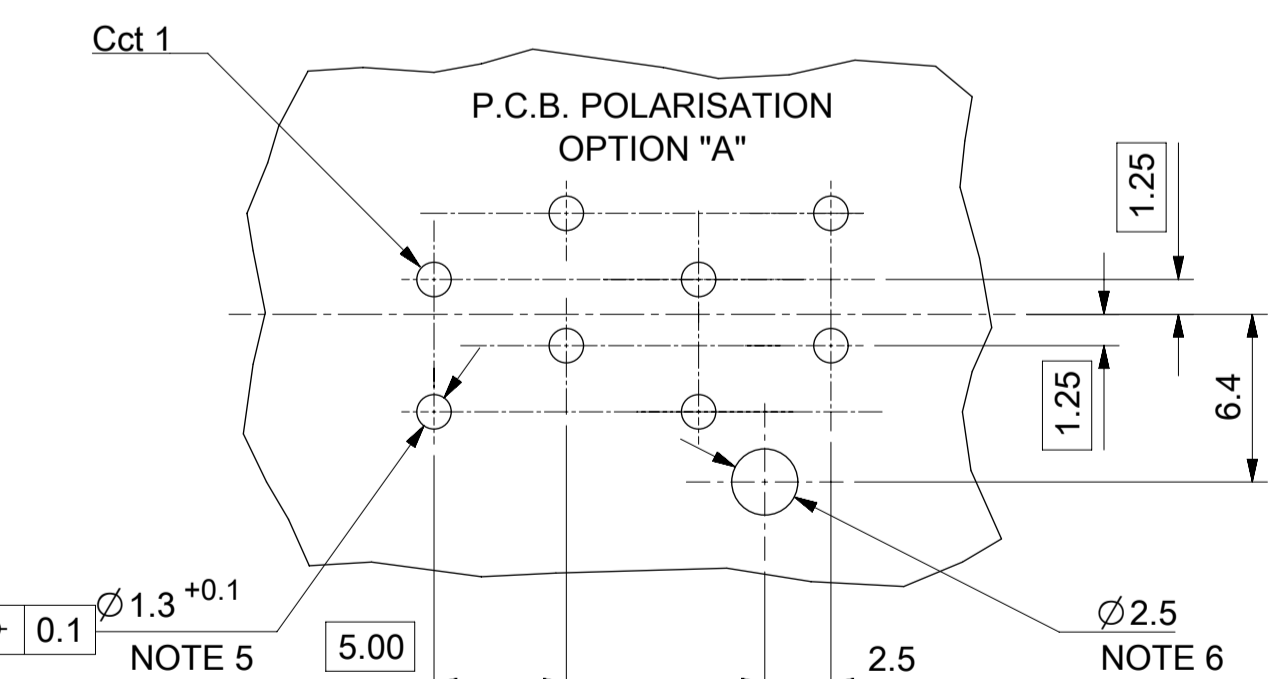
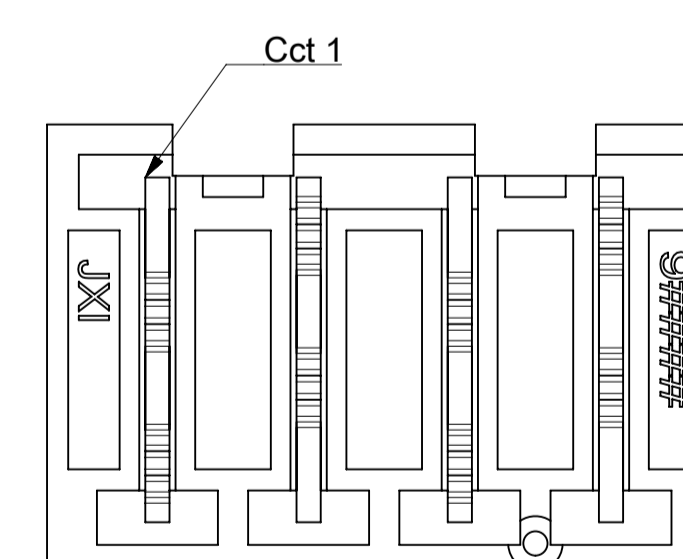
OPTION "C"



OPTION "B"



OPTION "A"



THIS DRAWING CONTAINS INFORMATION THAT IS PROPRIETARY TO MOLEX ELECTRONIC TECHNOLOGIES, LLC AND SHOULD NOT BE USED WITHOUT WRITTEN PERMISSION

EC NO: 676543 DRWN: MBN02 CHKD: MBN02 REV APPR: SDEVITT	2021/08/11	GENERAL TOLERANCES (UNLESS SPECIFIED)	DIMENSION UNITS	SCALE			
	2021/09/03	mm	1:1				
D	4 PLACES ±	ANGULAR TOL ± 2.0 °	DRWN BY	DATE	RAST 5 VERT POTABLE HDR PA 66 HOUSING		
	3 PLACES ±		CRAODOREMS	2017/10/26			
	2 PLACES ± 0.05		CHK'D BY	DATE	PRODUCT CUSTOMER DRAWING		
	1 PLACE ± 0.1		TELMASRI	2018/01/02			
0 PLACES ±		APPR BY	DATE	SERIES	MATERIAL NUMBER	CUSTOMER	
		DRAFT WHERE APPLICABLE MUST REMAIN WITHIN DIMENSIONS	DRAWING SIZE	THIRD ANGLE PROJECTION	93229	SEE CHARTS	GENERAL MARKET
			A1		DOCUMENT NUMBER	DOC TYPE	DOC PART SHEET NUMBER
					932290001	PSD	000 1 OF 7

2 CIRCUIT

SEE CODE DESIGNATION TABLE FOR NUMBERING

PART NO. (TIN)	MOLEX HOUSING NO.	TERM NO. (TIN)	COLOUR	TERMINAL VOID POSITION	UNBLOCKED POSITION KEYS	UNBLOCKED CODING KEYS	LATCH POSITION	CONFIGURATION (SEE NOTES)	TERM NO. (SILVER)	PART NO. (SILVER)	P.C.B. POLARISATION OPTION	PACKAGING OPTION *	DIM "E"
93229-0001	93228-0001	91703-0002	NATURAL	NONE	1a 1b 2a 2b	01c d20	1/2		91703-0003	93229-0499	A	A	7.8
93229-0002	93228-0002	91703-0002	NATURAL	NONE	1b 2a	01c d20	1/2		91703-0003	93229-0498	A	A	
93229-0003	93228-0003	91703-0002	NATURAL	NONE	1a 2b	01c	1/2		91703-0003	93229-0497	A	A	
93229-0004	93228-0004	91703-0002	NATURAL	NONE	2a	01c d20	1/2		91703-0003	93229-0496	A	A	
93229-0249	93228-0002	91703-0020	NATURAL	NONE	1b 2a	01c d20	1/2		91703-0021	93229-0450	A	A	9.30
93229-0005	93228-0005	91703-0002	BLACK	NONE	1a 2a	01c d20	1/2		91703-0003	93229-0495	A	A	7.8
93229-0006	93228-0006	91703-0002	NATURAL	NONE	1b 2b	01c d20	1/2		91703-0003	93229-0494	A	A	
93229-0007	93228-0001	91703-0002	NATURAL	NONE	1a 1b 2a 2b	01c d20	1/2		91703-0003	93229-0493	D	A	
93229-0008	93228-0007	91703-0002	BLACK	NONE	1b 2a	01c d20	1/2		91703-0003	93229-0492	A	A	
93229-0009	93228-0009	91703-0002	RED	NONE	1a 2b	01c	1/2		91703-0003	93229-0491	A	A	

PRE-RELEASE REFERENCE USE ONLY

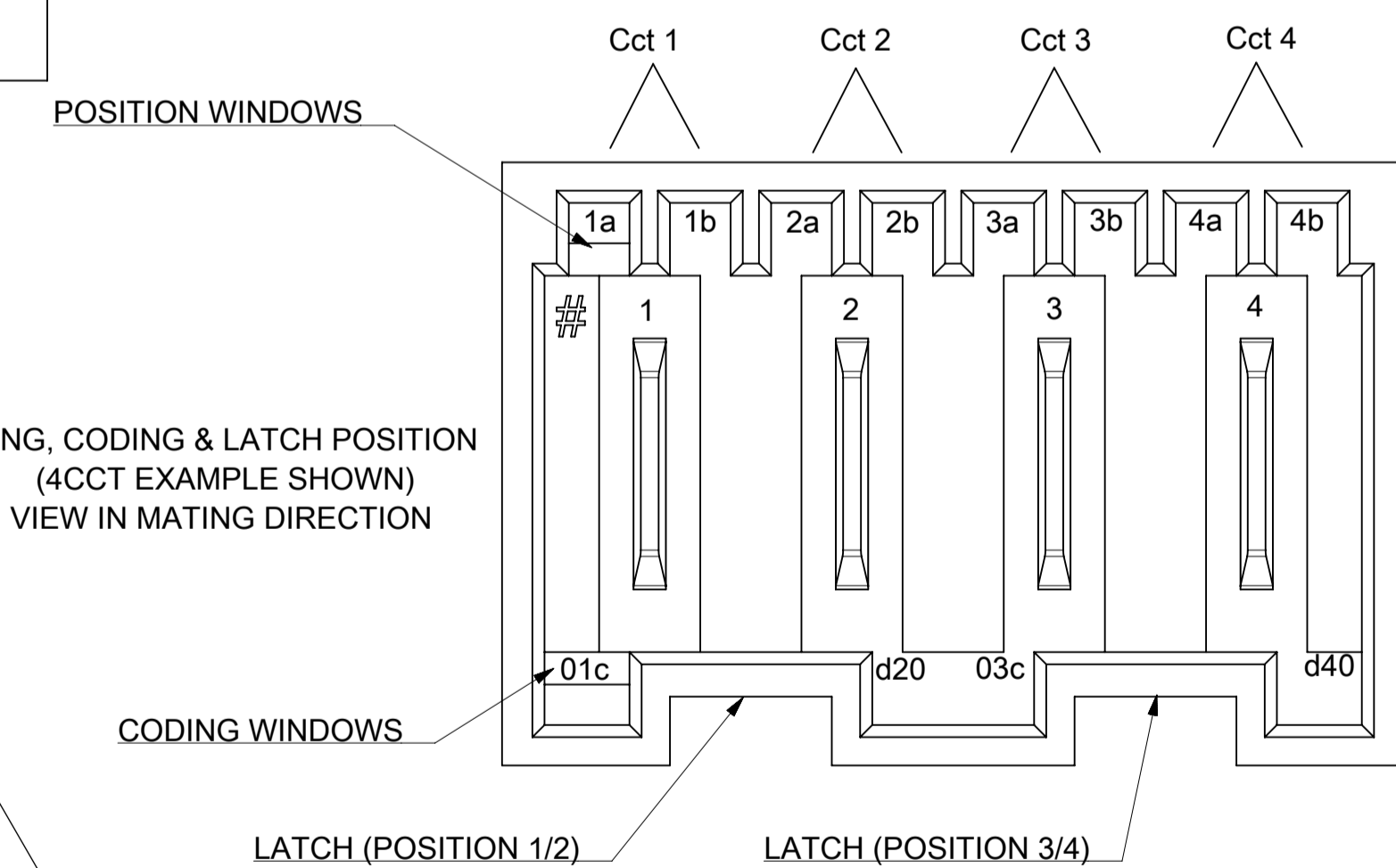
THIS DRAWING CONTAINS INFORMATION THAT IS PROPRIETARY TO MOLEX ELECTRONIC TECHNOLOGIES, LLC AND SHOULD NOT BE USED WITHOUT WRITTEN PERMISSION

EC NO: 676543 DRWN: MBN02 CHKD: MBN02 REV APPR: SDEVITT	2021/08/11	GENERAL TOLERANCES (UNLESS SPECIFIED)	DIMENSION UNITS	SCALE	
	2021/09/03	ANGULAR TOL ± 2.0 °	mm	1:1	
	2021/09/06	4 PLACES ±	DRWN BY	DATE	
		3 PLACES ±	CRAODOREMS	2017/10/26	
		2 PLACES ± 0.05	CHK'D BY	DATE	
		1 PLACE ± 0.1	TELMASRI	2018/01/02	
	0 PLACES ±	APPR BY	DATE		
		BRUTTLE	2018/01/08		
		DRAFT WHERE APPLICABLE MUST REMAIN WITHIN DIMENSIONS	DRAWING SIZE	THIRD ANGLE PROJECTION	
			A1		
					SERIES
					93229
					MATERIAL NUMBER
					SEE CHARTS
					CUSTOMER
					GENERAL MARKET
					DOCUMENT NUMBER
					932290001
					DOC TYPE
					PSD
					DOC PART
					000
					SHEET NUMBER
					2 OF 7

3 CIRCUIT

SEE CODE DESIGNATION TABLE FOR NUMBERING
F

PART NO. (TIN)	MOLEX HOUSING NO.	TERM NO. (TIN)	COLOUR	TERMINAL VOID POSITION	UNBLOCKED POSITION KEYS	UNBLOCKED CODING KEYS	LATCH POSITION	CONFIGURATION (SEE NOTES)	TERM NO. (SILVER)	PART NO. (SILVER)	P.C.B. POLARISATION OPTION	PACKAGING OPTION *	DIM "E"
93229-0500	93228-0500	91703-0002	NATURAL	NONE	1a 1b 2a 2b 3a 3b	01c d20 03c d30	1/2		91703-0003	93229-1249	A	A	7.8
93229-0501	93228-0501	91703-0002	NATURAL	NONE	1b	01c d20	1/2		91703-0003	93229-1248	A	A	7.8
93229-0502	93228-0502	91703-0020	NATURAL	NONE	3b	01c 03c	1/2		91703-0021	93229-1247	A	A	9.3
93229-0503	93228-0503	91703-0002	BLUE	NONE	1b	01c d30	1/2		91703-0003	93229-1246	A	A	7.8
93229-0504	93228-0504	91703-0002	NATURAL	NONE	3b	01c d30	1/2		91703-0003	93229-1245	A	A	7.8
93229-0505	93228-0505	91703-0020	BLUE	NONE	2a 3b	d10 d30	2/3		91703-0021	93229-1244	A	A	9.3
93229-0506	93228-0506	91703-0020	RED	NONE	3b	01c 03c	1/2		91703-0021	93229-1243	A	A	9.3
93229-0507	93228-0507	91703-0020	GREEN	NONE	3b	01c d30	1/2		91703-0021	93229-1242	A	A	9.3
93229-0508	93228-0508	91703-0002	BLACK	NONE	1b	01c d20	1/2		91703-0003	93229-1241	A	A	7.8
93229-0509	93228-0502	91703-0020	NATURAL	NONE	3b	01c 03c	1/2		91703-0021	93229-1240	B	A	9.3
93229-0510	93228-0501	91703-0017	NATURAL	NONE	1b	01c d20	1/2		91703-0018	93229-1239	C	A	7.8
93229-0511	93228-0501	91703-0002	NATURAL	2	1b	01c d20	1/2		91703-0003	93229-1238	A	A	7.8
93229-0512	93228-0509	91703-0020	RED	NONE	3b	01c 03c	1/2		91703-0021	93229-1237	A	A	9.3
93229-0513	93228-0501	91703-0002	NATURAL	2	1b	01c d20	1/2		91703-0003	93229-1236	B	A	7.8



KEYING, CODING & LATCH POSITION
(4CCT EXAMPLE SHOWN)
VIEW IN MATING DIRECTION

PRE-RELEASE
REFERENCE
USE ONLY

NOTES:
*SEE SHEET 1 NOTE 4

NOTES:
* SEE SHEET 1 NOTE 4

THIS DRAWING CONTAINS INFORMATION THAT IS PROPRIETARY TO MOLEX ELECTRONIC TECHNOLOGIES, LLC AND SHOULD NOT BE USED WITHOUT WRITTEN PERMISSION

EC NO: 676543 DRWN: MBN02 CHKD: MBN02 REV APPR: SDEVITT	2021/08/11 2021/09/03 2021/09/06	GENERAL TOLERANCES (UNLESS SPECIFIED) DIMENSION UNITS: mm SCALE: 1:1	DRWN BY: CRAODOREMS DATE: 2017/10/26	
	ANGULAR TOL ± 2.0 ° 4 PLACES ± 3 PLACES ± 2 PLACES ± 0.05 1 PLACE ± 0.1 0 PLACES ±	CHK'D BY: TELMASRI DATE: 2018/01/02	PRODUCT CUSTOMER DRAWING	
	DRAFT WHERE APPLICABLE MUST REMAIN WITHIN DIMENSIONS	APPR BY: BRUTTLE DATE: 2018/01/08	SERIES: 93229 MATERIAL NUMBER: SEE CHARTS CUSTOMER: GENERAL MARKET	
	DRAWING SIZE: A1 THIRD ANGLE PROJECTION	DOCUMENT NUMBER: 932290001 DOC TYPE: PSD DOC PART: 000 SHEET NUMBER: 3 OF 7		

4 CIRCUIT

SEE CODE DESIGNATION TABLE FOR NUMBERING											P.C.B. POLARISATION OPTION	PACKAGING OPTION *	DIM "E"
PART NO. (TIN)	MOLEX HOUSING NO.	TERM NO. (TIN)	COLOUR	TERMINAL VOID POSITION	UNBLOCKED POSITION KEYS	UNBLOCKED CODING KEYS	LATCH POSITION	CONFIGURATION (SEE NOTES)	TERM NO. (SILVER)	PART NO. (SILVER)			
93229-1250	93228-1250	91703-0002	NATURAL	NONE	1a 1b 2a 2b 3a 3b 4a 4b	01c d20 03c d40	1/2 3/4		91703-0003	93229-1999	A	A	7.8
93229-1251	93228-1251	91703-0002	NATURAL	NONE	1b	03c d40	1/2 3/4		91703-0003	93229-1998	A	A	
93229-1252	93228-1252	91703-0002	GREEN	NONE	1b	03c d40	1/2 3/4		91703-0003	93229-1997	A	A	
93229-1253	93228-1253	91703-0002	BLACK	NONE	2a 3b	NONE	1/2 3/4		91703-0003	93229-1996	A	A	

5 CIRCUIT

SEE CODE DESIGNATION TABLE FOR NUMBERING											P.C.B. POLARISATION OPTION	PACKAGING OPTION *	DIM "E"
PART NO. (TIN)	MOLEX HOUSING NO.	TERM NO. (TIN)	COLOUR	TERMINAL VOID POSITION	UNBLOCKED POSITION KEYS	UNBLOCKED CODING KEYS	LATCH POSITION	CONFIGURATION (SEE NOTES)	TERM NO. (SILVER)	PART NO. (SILVER)			
93229-2000	93228-2000	91703-0002	NATURAL	NONE	1a 1b 2a 2b 3a 3b 4a 4b 5a 5b	01c d20 03c d30 04c d50	1/2 4/5		91703-0003	93229-2749	A	A	7.8
93229-2001	93228-2001	91703-0002	NATURAL	NONE	1a 5b	01c d30	1/2 2/3		91703-0003	93229-2748	A	A	
93229-2003	93228-2003	91703-0002	BLUE	NONE	2b	d20	1/2 4/5		91703-0003	93229-2747	A	A	
93229-2004	93228-2004	91703-0002	BLUE	NONE	3b	d30	1/2 4/5		91703-0003	93229-2746	A	A	
93229-2005	93228-2005	91703-0002	NATURAL	NONE	2b	d20 d50	1/2 3/4		91703-0003	93229-2745	A	A	
93229-2006	93228-2006	91703-0002	NATURAL	NONE	3a 4b	03c	1/2 4/5		91703-0003	93229-2744	A	A	
93229-2007	93228-2004	91703-0002	BLUE	NONE	3b	d30	1/2 4/5		91703-0003	93229-2743	B	A	
93229-2008	93228-2007	91703-0020	NATURAL	NONE	2b	d20	1/2 4/5		91703-0021	93229-2742	A	A	9.3

PRE-RELEASE
REFERENCE
USE ONLY

THIS DRAWING CONTAINS INFORMATION THAT IS PROPRIETARY TO MOLEX ELECTRONIC TECHNOLOGIES, LLC AND SHOULD NOT BE USED WITHOUT WRITTEN PERMISSION

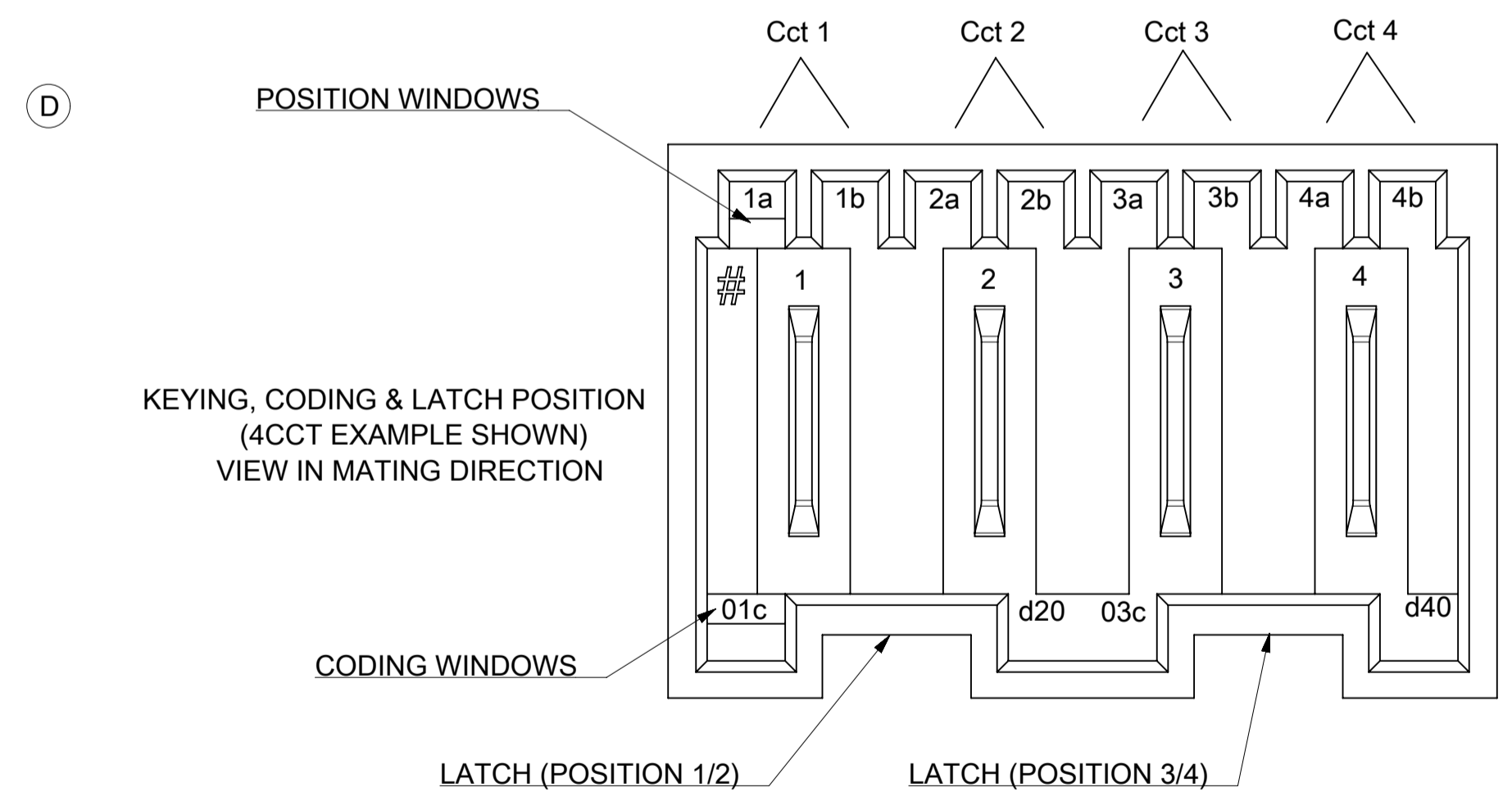
EC NO: 676543 DRWN: MBN02 CHKD: MBN02 REV APPR: SDEVITT	2021/08/11	GENERAL TOLERANCES (UNLESS SPECIFIED)	DIMENSION UNITS	SCALE		
	2021/09/03	4 PLACES ±	mm	1:1		
	2021/09/06	3 PLACES ±	DRWN BY	DATE		CRAODOREMS 2017/10/26
		2 PLACES ± 0.05	CHK'D BY	DATE		TELMASRI 2018/01/02
		1 PLACE ± 0.1	APPR BY	DATE		BRUTTLE 2018/01/08
	0 PLACES ±	DRAFT WHERE APPLICABLE MUST REMAIN WITHIN DIMENSIONS	DRAWING SIZE	THIRD ANGLE PROJECTION	SERIES: 93229 MATERIAL NUMBER: SEE CHARTS CUSTOMER: GENERAL MARKET	
			A1		DOCUMENT NUMBER: 932290001 DOC TYPE: PSD DOC PART: 000 SHEET NUMBER: 4 OF 7	

6 CIRCUIT

SEE CODE DESIGNATION TABLE FOR NUMBERING											P.C.B. POLARISATION OPTION	PACKAGING OPTION *	DIM "E"
PART NO. (TIN)	MOLEX HOUSING NO.	TERM NO. (TIN)	COLOUR	TERMINAL VOID POSITION	UNBLOCKED POSITION KEYS	UNBLOCKED CODING KEYS	LATCH POSITION	CONFIGURATION (SEE NOTES)	TERM NO. (SILVER)	PART NO. (SILVER)			
93229-2750	93228-2750	91703-0002	NATURAL	NONE	1a 1b 2a 2b 3a 3b 4a 4b 5a 5b 6a 6b	01c d20 03c d30 04c d50 06c d60	1/2 4/5		91703-0003	93229-3499	A	A	7.8
93229-2751	93228-2751	91703-0002	NATURAL	NONE	1a 1b 2a 2b 3a 3b 4a 4b 5a 5b 6a 6b	01c d10 02c d30 04c d50 06c d60	2/3 4/5		91703-0003	93229-3498	A	A	
93229-2752	93228-2752	91703-0002	NATURAL	NONE	1b	03c d60	1/2 4/5		91703-0003	93229-3497	A	A	
93229-2753	93228-2753	91703-0020	NATURAL	NONE	1b	04c	1/2 5/6		91703-0021	93229-3496	A	A	9.3

7 CIRCUIT

SEE CODE DESIGNATION TABLE FOR NUMBERING											P.C.B. POLARISATION OPTION	PACKAGING OPTION *	DIM "E"
PART NO. (TIN)	MOLEX HOUSING NO.	TERM NO. (TIN)	COLOUR	TERMINAL VOID POSITION	UNBLOCKED POSITION KEYS	UNBLOCKED CODING KEYS	LATCH POSITION	CONFIGURATION (SEE NOTES)	TERM NO. (SILVER)	PART NO. (SILVER)			
93229-3500	93228-3500	91703-0002	NATURAL	NONE	1a 1b 2a 2b 3a 3b 4a 4b 5a 5b 6a 6b 7a 7b	01c d20 03c d30 04c d40 05c d60 07c d70	1/2 5/6		91703-0003	93229-4249	A	A	7.8
93229-3501	93228-3501	91703-0002	NATURAL	NONE	1a 1b 2a 2b 3a 3b 4a 4b 5a 5b 6a 6b 7a 7b	01c d10 02c d30 04c d40 05c d50 06c d70	2/3 6/7		91703-0003	93229-4248	A	A	
93229-3502	93228-3502	91703-0002	NATURAL	NONE	NONE	03c d40 07c	1/2 5/6		91703-0003	93229-4247	A	A	
93229-3503	93228-3503	91703-0002	NATURAL	NONE	2b	d20 07c	1/2 3/4 5/6		91703-0003	93229-4246	A	A	
93229-3504	93228-3504	91703-0002	RED	NONE	2b	d20 07c	1/2 5/6		91703-0003	93229-4245	A	A	
93229-3505	93228-3504	91703-0002	RED	NONE	2b	d20 07c	1/2 5/6		91703-0003	93229-4244	B	A	
93229-3506	93228-3504	91703-0002	RED	NONE	2b	d20 07c	1/2 5/6		91703-0003	93229-4243	A	C	



PRE-RELEASE REFERENCE USE ONLY

NOTES:
* SEE SHEET 1 NOTE 4

THIS DRAWING CONTAINS INFORMATION THAT IS PROPRIETARY TO MOLEX ELECTRONIC TECHNOLOGIES, LLC AND SHOULD NOT BE USED WITHOUT WRITTEN PERMISSION

2021/08/11 DRWN BY: MBN02	2021/09/03 CHK'D: MBN02	2021/09/06 REV APPR: SDEVITT	GENERAL TOLERANCES (UNLESS SPECIFIED) mm	DIMENSION UNITS SCALE 1:1	molex RAST 5 VERT POTABLE HDR PA 66 HOUSING
4 PLACES ±	3 PLACES ±	2 PLACES ± 0.05	ANGULAR TOL ± 2.0 °	DRWN BY: CRAODOREMS DATE: 2017/10/26	
1 PLACE ± 0.1	0 PLACES ±	DRAFT WHERE APPLICABLE MUST REMAIN WITHIN DIMENSIONS		CHK'D BY: TELMASRI DATE: 2018/01/02	PRODUCT CUSTOMER DRAWING
DRAWING SIZE: A1		THIRD ANGLE PROJECTION		APPR BY: BRUTTLE DATE: 2018/01/08	SERIES: 93229 MATERIAL NUMBER: SEE CHARTS CUSTOMER: GENERAL MARKET
RELEASE STATUS: P1	RELEASE DATE: 2021/09/06 08:02:31	DOCUMENT NUMBER: 932290001		DOC TYPE: PSD	DOC PART SHEET NUMBER: 5 OF 7

8 CIRCUIT

SEE CODE DESIGNATION TABLE FOR NUMBERING

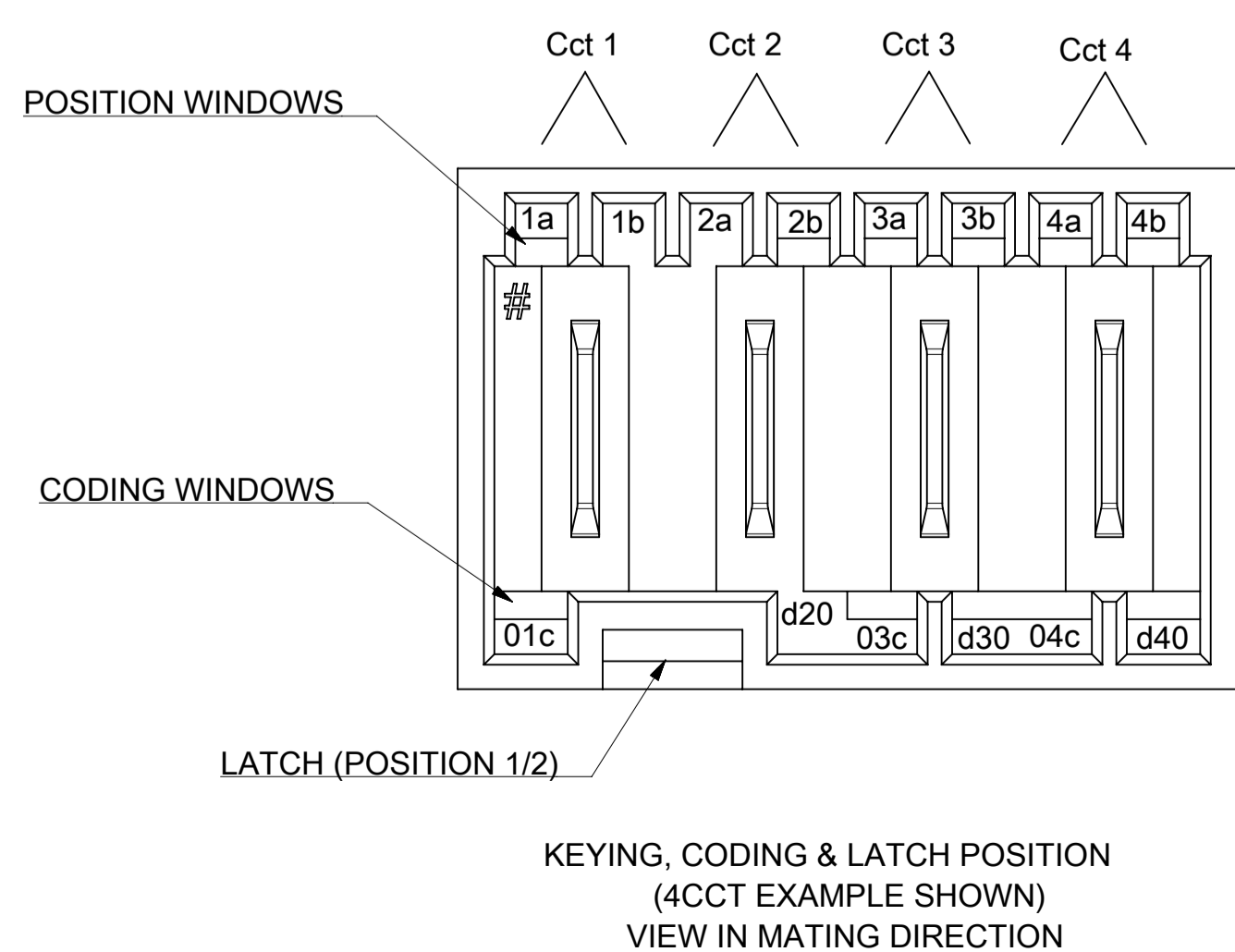
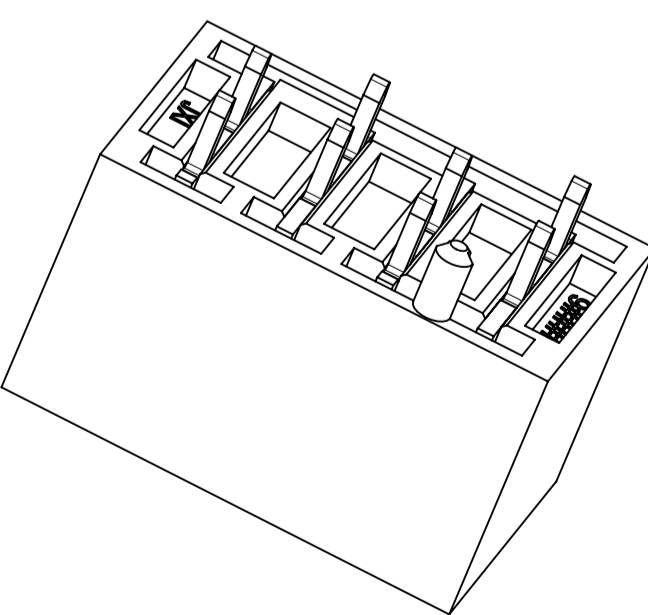
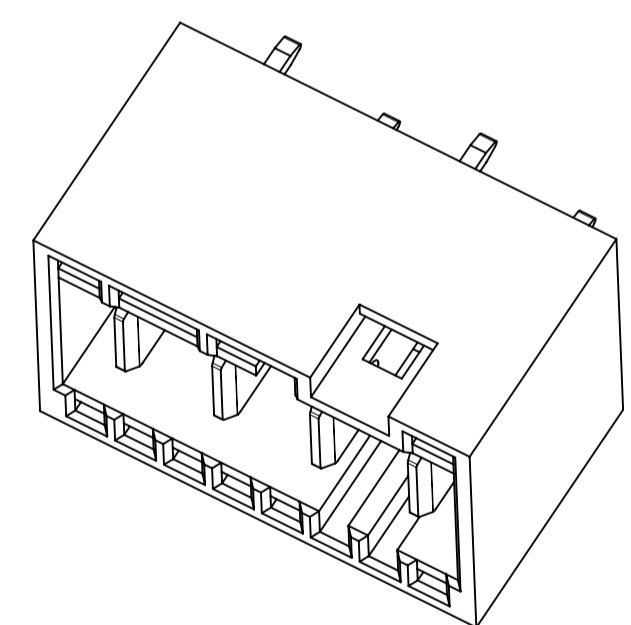
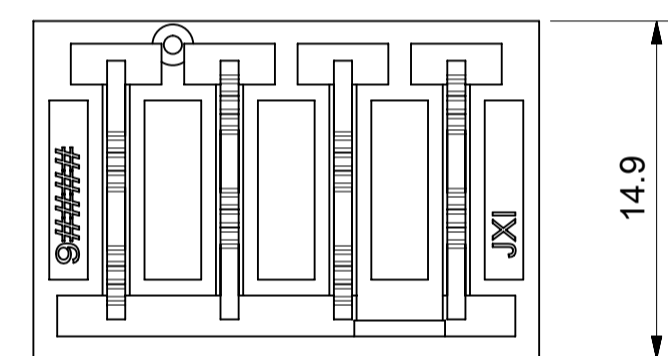
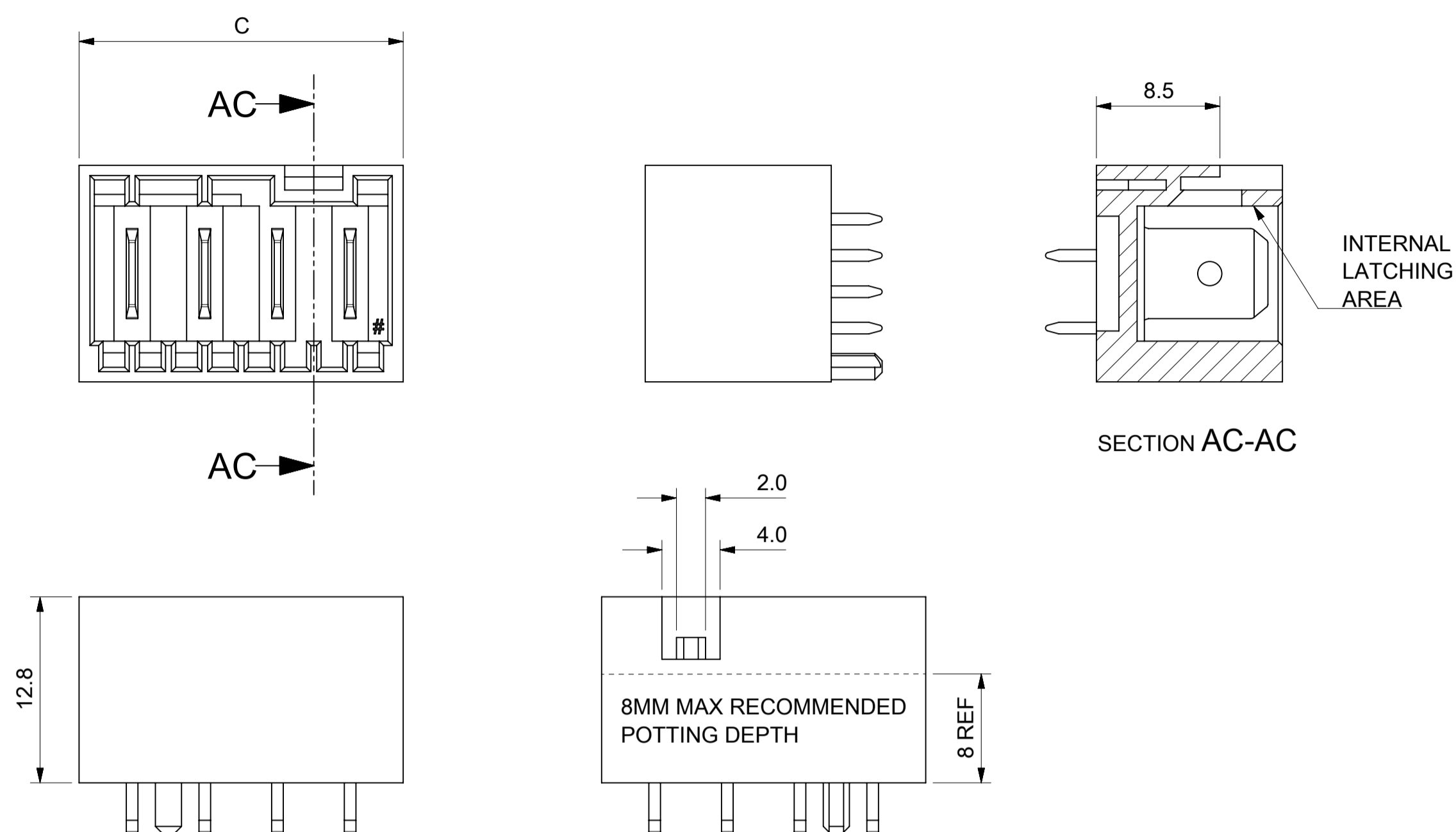
PART NO. (TIN)	MOLEX HOUSING NO.	TERM NO. (TIN)	COLOUR	TERMINAL VOID POSITION	UNBLOCKED POSITION KEYS	UNBLOCKED CODING KEYS	LATCH POSITION	CONFIGURATION (SEE NOTES)	TERM NO. (SILVER)	PART NO. (SILVER)	P.C.B. POLARISATION OPTION	PACKAGING OPTION *	DIM "E"
93229-4500	93228-4500	91703-0002	NATURAL	NONE	1a 1b 2a 2b 3a 3b 4a 4b 5a 5b 6a 6b 7a 7b 8a 8b	01c d10 02c d20 03c d40 05c d60 07c d70 08c d80	3/4 5/6		91703-0003	93229-4999	A	A	7.8
93229-4501	93228-4501	91703-0002	NATURAL	7	8b	02c d30 07c	2/3 7/8		91703-0003	93229-4998	B	A	
93229-4502	93228-4501	91703-0017	NATURAL	7	8b	02c d30 07c	2/3 7/8		91703-0018	93229-4997	C	A	

PRE-RELEASE
REFERENCE
USE ONLY

NOTES:
* SEE SHEET 1 NOTE 4

THIS DRAWING CONTAINS INFORMATION THAT IS PROPRIETARY TO MOLEX ELECTRONIC TECHNOLOGIES, LLC AND SHOULD NOT BE USED WITHOUT WRITTEN PERMISSION											
EC NO: 676543 DRWN: MBN02 CHKD: MBN02 REV APPR: SDEVITT	2021/08/11	GENERAL TOLERANCES (UNLESS SPECIFIED)	DIMENSION UNITS	SCALE							
	2021/09/03	ANGULAR TOL ± 2.0 °	mm	1:1							
	2021/09/06	4 PLACES ±	DRWN BY	DATE	RAST 5 VERT POTABLE HDR PA 66 HOUSING						
		3 PLACES ±	CRAODOREMS	2017/10/26							
		2 PLACES ± 0.05	CHK'D BY	DATE	PRODUCT CUSTOMER DRAWING						
		1 PLACE ± 0.1	TELMASRI	2018/01/02							
	0 PLACES ±	APPR BY	DATE	SERIES: 93229 MATERIAL NUMBER: SEE CHARTS CUSTOMER: GENERAL MARKET							
	DRAFT WHERE APPLICABLE MUST REMAIN WITHIN DIMENSIONS	BRUTTLE	2018/01/08								
		DRAWING SIZE	THIRD ANGLE PROJECTION	DOCUMENT NUMBER: 932290001 DOC TYPE: PSD DOC PART: 000 SHEET NUMBER: 6 OF 7							
		A1									

INTERNAL LATCHING & 8MM POTTING OPTION



- NOTES:
1. MATERIAL: PA6 V2
 2. COLOUR SEE TABLES
 3. CAVITY I.D. & TEXT TO BE RAISED 0.02
 4. SEE TABLES SHEET 4 FOR CONFIGURATIONS
 5. ALL UNSPECIFIED DIMENSIONS SEE SHEET 1.

2 CIRCUIT											P.C.B. POLARISATION OPTION	PACKAGING OPTION *	DIM "E"	TOOLED
PART NO. (TIN)	MOLEX HOUSING NO.	TERM NO. (TIN)	COLOUR	TERMINAL VOID POSITION	UNBLOCKED POSITION KEYS	UNBLOCKED CODING KEYS	LATCH POSITION	CONFIGURATION (SEE NOTES)	TERM NO. (SILVER)	PART NO. (SILVER)				
93229-5000	93228-5000	91703-0002	NATURAL	NONE	1a 1b 2a 2b	01c d20	1/2		91703-0003	93229-5499	A	A	7.8	NO
93229-5001	93228-5001	91703-0002	NATURAL	NONE	1b 2a	d20	1/2		91703-0003	93229-5498	A	A	7.8	NO
93229-5002	93228-5002	91703-0020	NATURAL	NONE	1b 2a	01c d20	1/2		91703-0021	93229-5497	A	A	9.3	NO

3 CIRCUIT											P.C.B. POLARISATION OPTION	PACKAGING OPTION *	DIM "E"	TOOLED
PART NO. (TIN)	MOLEX HOUSING NO.	TERM NO. (TIN)	COLOUR	TERMINAL VOID POSITION	UNBLOCKED POSITION KEYS	UNBLOCKED CODING KEYS	LATCH POSITION	CONFIGURATION (SEE NOTES)	TERM NO. (SILVER)	PART NO. (SILVER)				
93229-5500	93228-5500	91703-0002	NATURAL	NONE	1a 1b 2a 2b 3a 3b	01c d20 03c d30	1/2		91703-0003	93229-5999	A	A	7.8	NO
93229-5501	93228-5501	91703-0002	NATURAL	NONE	2b 3b	01c d10 02c d30	2/3		91703-0003	93229-5998	A	A	7.8	NO

4 CIRCUIT											P.C.B. POLARISATION OPTION	PACKAGING OPTION *	DIM "E"	TOOLED
PART NO. (TIN)	MOLEX HOUSING NO.	TERM NO. (TIN)	COLOUR	TERMINAL VOID POSITION	UNBLOCKED POSITION KEYS	UNBLOCKED CODING KEYS	LATCH POSITION	CONFIGURATION (SEE NOTES)	TERM NO. (SILVER)	PART NO. (SILVER)				
93229-6000	93228-6000	91703-0002	NATURAL	NONE	1a 1b 2a 2b 3a 3b 4a 4b	01c d20 03c d40	1/2 3/4		91703-0003	93229-6499	A	A	7.8	NO
93229-6001	93228-6001	91703-0002	NATURAL	NONE	1b 2a	d20	1/2		91703-0003	93229-6498	A	A	7.8	NO
93229-6002	93228-6002	91703-0002	NATURAL	NONE	3b	d30	2/3		91703-0003	93229-6497	A	A	7.8	NO
93229-6003	93228-6003	91703-0002	NATURAL	3	1b 2a	d20	1/2		91703-0003	93229-6496	A	A	7.8	NO
93229-6004	93228-6004	91703-0002	NATURAL	NONE	1a 2a 3b 4b	01c d10 04c d40	2/3		91703-0003	93229-6495	A	A	7.8	NO

PRE-RELEASE REFERENCE USE ONLY

THIS DRAWING CONTAINS INFORMATION THAT IS PROPRIETARY TO MOLEX ELECTRONIC TECHNOLOGIES, LLC AND SHOULD NOT BE USED WITHOUT WRITTEN PERMISSION

EC NO: 676543	DRWN: MBN02	CHKD: MBN02	REV: APPR: SDEVITT	2021/08/11	2021/09/03	2021/09/06	GENERAL TOLERANCES (UNLESS SPECIFIED)	DIMENSION UNITS	SCALE	molex	RAST 5 VERT POTABLE HDR PA 66 HOUSING	PRODUCT CUSTOMER DRAWING		
mm			1:1		DRWN BY	DATE	CRAODOREMS	2017/10/26						
ANGULAR TOL ± 2.0 °				4 PLACES ±		CHK'D BY		DATE		SERIES				
3 PLACES ±				2 PLACES ± 0.05		1 PLACE ± 0.1		0 PLACES ±		MATERIAL NUMBER		CUSTOMER		
DRAFT WHERE APPLICABLE MUST REMAIN WITHIN DIMENSIONS				DRAWING SIZE		THIRD ANGLE PROJECTION		A1		93229		SEE CHARTS	GENERAL MARKET	
D				DOC TYPE		DOC PART		SHEET NUMBER		932290001		PSD	000	7 OF 7

- NOTES:
- * SEE SHEET 1 NOTE 4

Mouser Electronics

Authorized Distributor

Click to View Pricing, Inventory, Delivery & Lifecycle Information:

[Molex:](#)

[93229-0502](#)