

**PLEASE CHECK WWW.MOLEX.COM FOR LATEST PART INFORMATION**

**Part Number:** [0051241040](#)  
**Status:** **Active**  
**Overview:** [LFH™ Interconnect System](#)  
**Description:** 1.27mm Pitch LFH™ Matrix 50 Receptacle, Shielded, 160 Circuits, Right Angle

**Documents:**

[3D Model](#) [Product Specification PS-71626 \(PDF\)](#)  
[Drawing \(PDF\)](#) [RoHS Certificate of Compliance \(PDF\)](#)

**Agency Certification**

CSA LR19980  
 UL E29179

**General**

Product Family I/O Connectors  
 Series [71626](#)  
 Application Board-to-Board, Wire-to-Board  
 Component Type Receptacle  
 Overview [LFH™ Interconnect System](#)  
 Product Name LFH™  
 Type N/A  
 UPC 800753641389

**Physical**

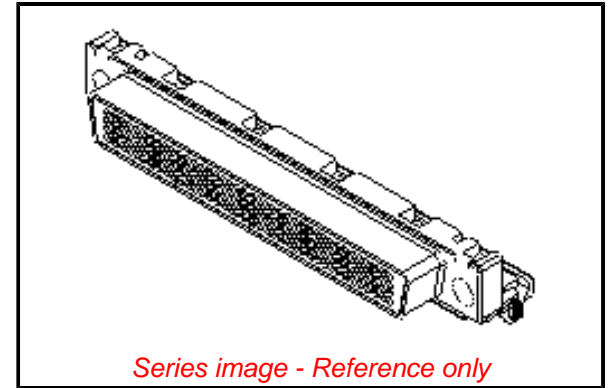
Circuits (Loaded) 160  
 Circuits (maximum) 160  
 Color - Resin Black  
 Flammability 94V-0  
 Keying to Mating Part None  
 Lock to Mating Part Yes  
 Material - Metal Beryllium Copper  
 Material - Plating Mating Gold  
 Material - Plating Termination Tin  
 Material - Resin High Temperature Thermoplastic  
 Net Weight 13.055/g  
 Orientation Right Angle  
 PC Tail Length 2.40mm  
 PCB Retention Yes  
 PCB Thickness - Recommended 2.40mm  
 Packaging Type Tube  
 Panel Mount Yes  
 Pitch - Mating Interface 1.27mm  
 Plating min - Mating 0.762µm  
 Plating min - Termination 2.540µm  
 Polarized to Mating Part Yes  
 Surface Mount Compatible (SMC) Yes  
 Temperature Range - Operating -20°C to +80°C  
 Termination Interface: Style Through Hole  
 Wire Size AWG N/A

**Electrical**

Current - Maximum per Contact 1.0A  
 Grounding to Panel Yes  
 Shielded Yes  
 Voltage - Maximum 40V

**Solder Process Data**

Duration at Max. Process Temperature (seconds) 040



**EU ELV**

**Not Relevant**

**EU RoHS**

**Compliant with Exemption 6(c)**

**REACH SVHC**

Not Contained Per - ED/21/2016 (20 June 2016)

**Halogen-Free**

**Status**

**Low-Halogen**

**Need more information on product environmental compliance?**

Email [productcompliance@molex.com](mailto:productcompliance@molex.com)  
 Please visit the [Contact Us](#) section for any non-product compliance questions.

China ROHS	50 Image
ELV	Not Relevant
RoHS Phthalates	Not Contained

**Search Parts in this Series**

[71626 Series](#)

**Mates With**

[71624 LFH™ Plug](#)

**Use With**

[71628 Guide Pin. Guide Sleeve 71629](#) ,  
[71771. 70982 Hex Screw Kit](#)

Lead-free Process Capability	WAVE
Max. Cycles at Max. Process Temperature	003
Process Temperature max. C	245

**Material Info**

Engineering Number	71626-2000
--------------------	------------

**Reference - Drawing Numbers**

Product Specification	PS-71626
Sales Drawing	SDA-71626-200*

This document was generated on 10/19/2016

**PLEASE CHECK [WWW.MOLEX.COM](http://WWW.MOLEX.COM) FOR LATEST PART INFORMATION**

# Mouser Electronics

Authorized Distributor

Click to View Pricing, Inventory, Delivery & Lifecycle Information:

[Molex:](#)

[51-24-1040](#)