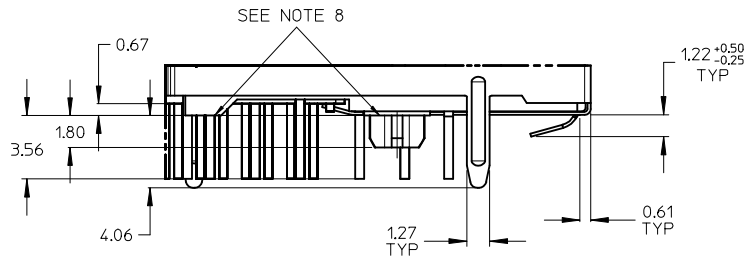
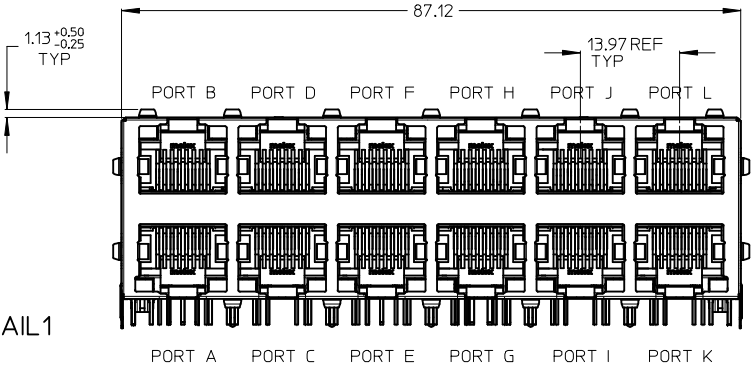
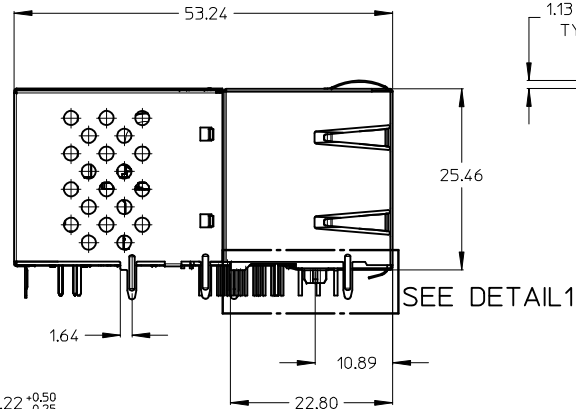
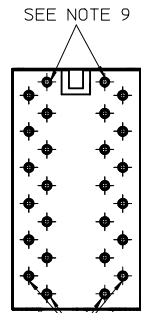


ALL IN ONE POWER SOURCING EQUIPMENT SOLUTION ACCORDING
 IEEE Std802.3-2012 WITH INTEGRATED POWER OVER ETHERNET PLUS CONTROL
 CIRCUITRY, I2C BUS CONTROL INTERFACE, GIGABIT ETHERNET
 TRANSFORMERS AND BICOLOR LED'S. AUTONOMOUS POE PLUS PSE
 OPERATION OR COMPREHENSIVE PORT CONTROL WITH EXTERNAL
 POWER MANAGEMENT.

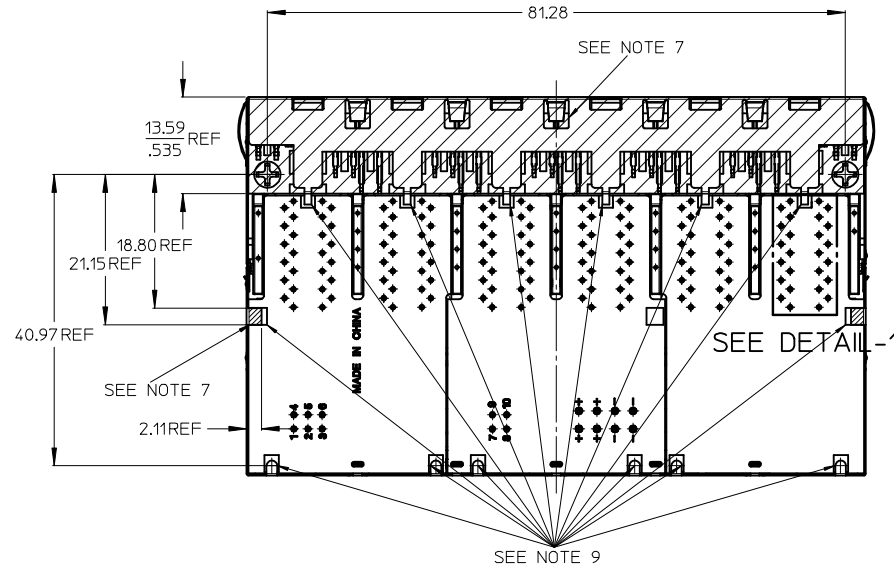


DETAIL 1
 SCALE 5:1

BOM		
P/N	VERSION	CONTROLLER
85717-1001	MICROSEMI STANDARD	PD69104
85717-2001	MICROSEMI PoETeC	PD69104B
85718-1001	LTC CIRCUITRY	LTC4270



DETAIL-1
 SCALE 4:1



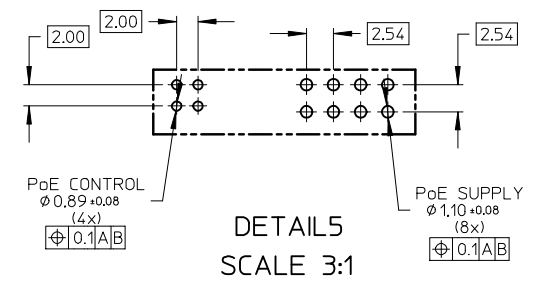
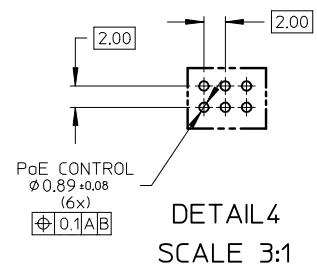
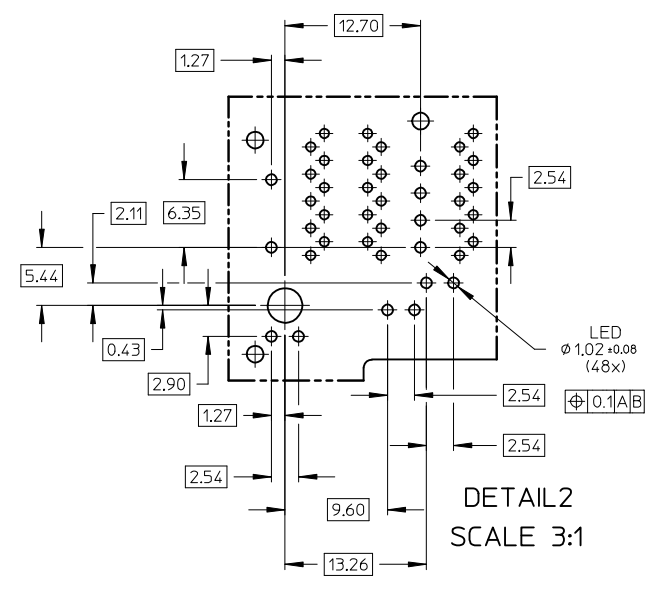
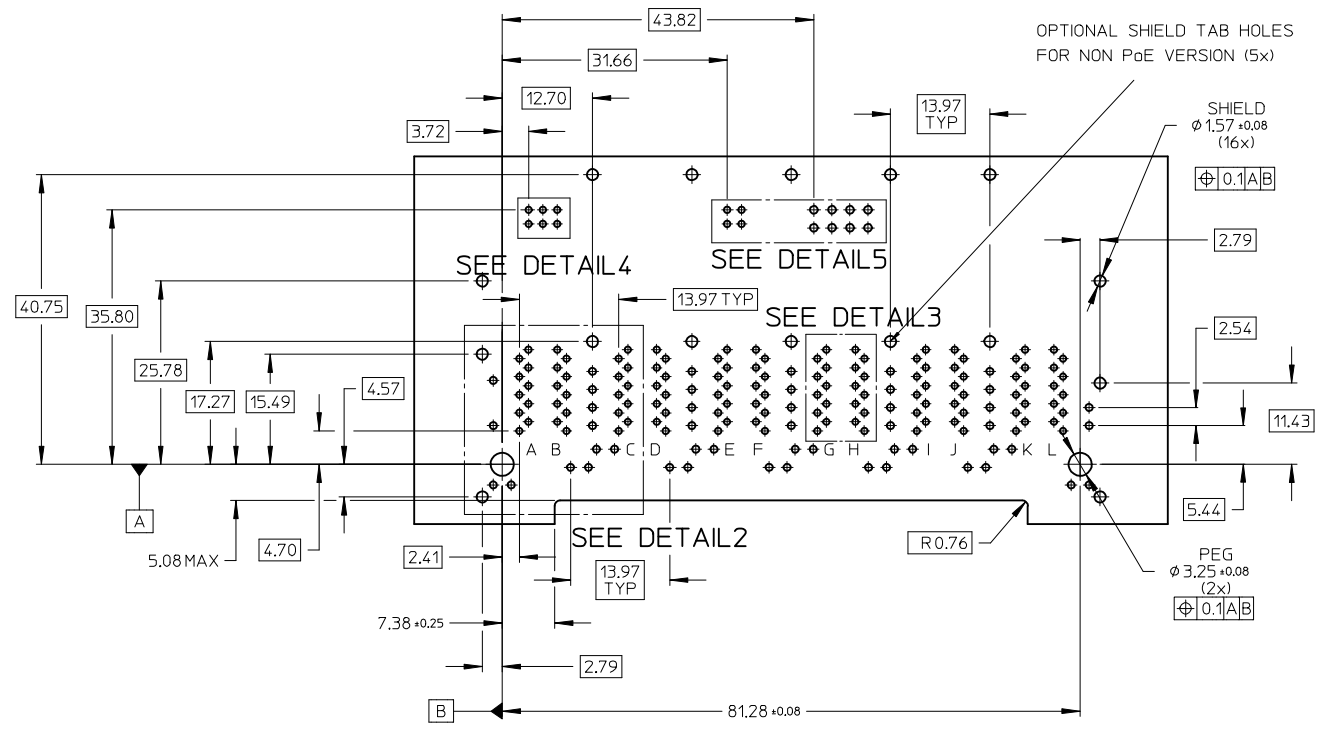
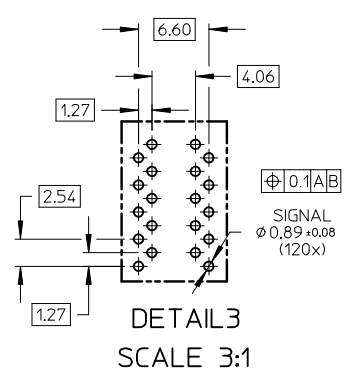
NOTES:

- 1 - SHIELD MATERIAL: BRASS; PLATING: NICKEL PRE-PLATING
- 2 - PLASTIC MATERIAL: POLYESTER (PBT) BLACK, 30%GR, UL 94V-0
- 3 - TERMINALS MATERIAL: COPPER ALLOY
 CONTACT SURFACE FINISH: GOLD OR GOLD FLASH OVER PALLADIUM NICKEL
 EXCEEDS PRODUCT REQUIREMENTS BASED ON PRODUCT SPECIFICATION PS-85717-001
- 4 - MATING INTERFACE ACCORDING TO IEC 60603-7
- 5 - PRODUCT SPECIFICATION: RPS-85717-001
- 6 - PACKAGING SPECIFICATION: PK-85719-101
- 7 - TRACES WITHOUT INSULATION NOT ALLOWED IN THE DASHED AREAS.
 (TO AVOID SHORTS TO SHIELD)
- 8 - STAND OFF TO SYSTEM BOARD / PIN LENGTH MEASURED FROM HOUSING STAND OFF ONLY
- 9 - STUB PINS AND SHIELD LATCHES; AVOID TO ROUTE TRACES OR TO PLACE ANY
 VIAS OR PADS BELOW THESE PINS
- 10 - FOR MAGNETIC, PIN LAYOUT AND LED INFORMATIN SEE SPEC PS-85717-001

NEW P/N ADDED IEC NO: 2014/05/22 DRWN: JBADER CHKD: MMANGARUDOV 2014/05/22 APPR: SSTEINKE 2015/11/26	DESCRIPTION	QUALITY SYMBOLS	GENERAL TOLERANCES (UNLESS SPECIFIED)	DIMENSION STYLE	SCALE	DESIGN UNITS	THIRD ANGLE PROJECTION	
		▽=0	mm INCH	MM ONLY	2:1	METRIC	⊙	
		▽=0	4 PLACES ± --- ± ---	DRAWN BY	DATE	TITLE	GIGABIT MAGNETIC JACK INTEGRATED PSE POE PLUS 2X6 LED	
			3 PLACES ± --- ± ---	JBADER	2011/03/03	MOLEX INCORPORATED		
		2 PLACES ± 0.25 ± ---	2 PLACES ± 0.5 ± ---	1 PLACE ± 0.5 ± ---	APPROVED BY	DATE	DOCUMENT NO.	
		ANGULAR ± .5 °	DRAFT WHERE APPLICABLE MUST REMAIN WITHIN DIMENSIONS		SSTEINKE	2012/06/20	SD-85717-101	
			SEE BOM		SHEET NO. 1 OF 3			
			THIS DRAWING CONTAINS INFORMATION THAT IS PROPRIETARY TO MOLEX INCORPORATED AND SHOULD NOT BE USED WITHOUT WRITTEN PERMISSION					

13 12 11 10 9 8 7 6 5 4 3 2 1

FOOT PRINT OUT FOR LED VERSION



INCH DIM DELETED	EC NO: 2014/05/22 DRWN: JBADER CHKD: MMANGARUDOV 2014/05/22 APPR: SSTEINKE 2015/11/26	DESCRIPTION	QUALITY SYMBOLS		GENERAL TOLERANCES (UNLESS SPECIFIED)	DIMENSION STYLE		SCALE	DESIGN UNITS	THIRD ANGLE PROJECTION	
			▽=0	▽=0		MM ONLY	2:1	METRIC	⊙ □		
DRAFT WHERE APPLICABLE MUST REMAIN WITHIN DIMENSIONS	SIZE A2	DESCRIPTION	4 PLACES	± ---	mm	± ---	INCH	± ---	DRAWN BY: JBADER DATE: 2011/03/03		
			3 PLACES	± ---	± ---	± ---	± ---	CHECKED BY: MMANGARUDOV DATE: 2011/06/01			
			2 PLACES	± 0.25	± ---	± ---	± ---	APPROVED BY: SSTEINKE DATE: 2012/06/20			
			1 PLACE	± 0.5	± ---	± ---	± ---	MATERIAL NO. SEE SHEET 1			
			ANGULAR ± .5°						DOCUMENT NO. SD-85717-101		
									SHEET NO. 2 OF 3		

GIGABIT MAGNETIC JACK INTEGRATED PSE POE PLUS 2X6 LED

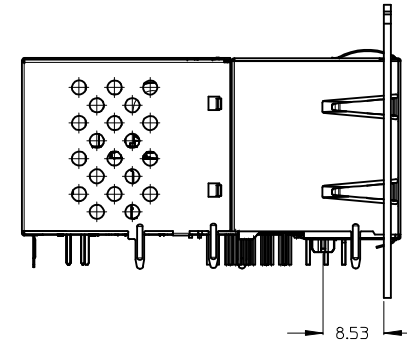
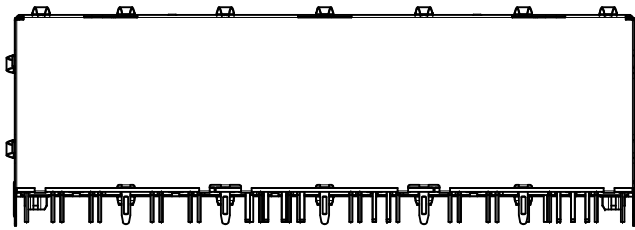
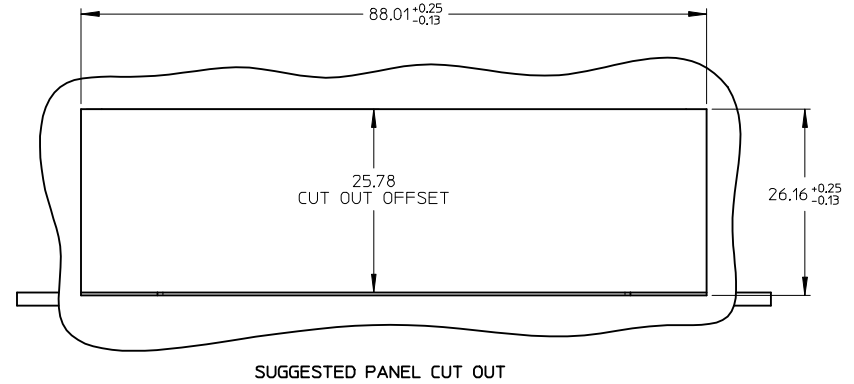
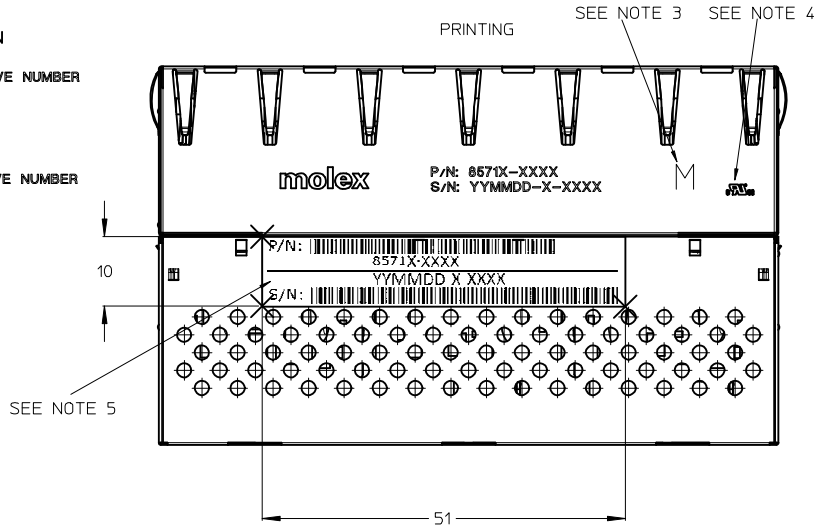
MOLEX INCORPORATED

13 12 11 10 9 8 7 6 5 4 3 2 1

PRINTING
 MICROSEMI CIRCUITRY VERSION
 P/N: 85717-1001
 S/N: YYMMDD-CM-CONSECUTIVE NUMBER

PRINTING
 MICROSEMI PoETeC VERSION
 P/N: 85717-2001
 S/N: YYMMDD-CM-CONSECUTIVE NUMBER

PRINTING
 LTC CIRCUITRY VERSION
 P/N: 85718-1001
 S/N: YYMMDD-CM-CONSECUTIVE NUMBER



NOTES:

- 1 - PRINTING MARKED BY LASER
- 2 - INSCRIPTION:
 1st LINE: PART NAME
 2nd LINE: DATE CODE (YEAR, MONTH, DAY) - MANUFACTURER ID - CONSECUTIVE NUMBER
- 3 - ONLY MICROSEMI VERSION MARKED BY A CAPITAL M
- 4 - OPTIONAL FOR UL CERTIFIED VERSIONS
- 5 - BARCODE LABEL INFORMATION
 BARCODE LABEL DETAILS: BRADY B-487
 RIBBON: R6000-INK COLOR BLACK

NEW P/N ADDED EC NO: D DRWN: JBADER CHKD: MMANGARUDOV APPR: SSTE INKE 2014/05/22 2014/05/22 2015/11/26	DESCRIPTION	QUALITY SYMBOLS ▽=0 ▽=0		GENERAL TOLERANCES (UNLESS SPECIFIED)		DIMENSION STYLE MM ONLY		SCALE 2:1	DESIGN UNITS METRIC	THIRD ANGLE PROJECTION		
				4 PLACES ± --- ± --- 3 PLACES ± --- ± --- 2 PLACES ± 0.25 ± --- 1 PLACE ± 0.5 ± ---	mm INCH ± --- ± --- ± 0.25 ± --- ± 0.5 ± ---	DRAWN BY JBADER	DATE 2011/03/03	TITLE GIGABIT MAGNETIC JACK INTEGRATED PSE POE PLUS 2X6 LED				
				ANGULAR ± .5 °		CHECKED BY MMANGARUDOV	DATE 2011/06/01	MOLEX INCORPORATED				
				DRAFT WHERE APPLICABLE MUST REMAIN WITHIN DIMENSIONS		APPROVED BY SSTE INKE	DATE 2012/06/20	MATERIAL NO. SEE SHEET 1	DOCUMENT NO. SD-85717-101	SHEET NO. 3 OF 3		

Mouser Electronics

Authorized Distributor

Click to View Pricing, Inventory, Delivery & Lifecycle Information:

[Molex:](#)

[85718-1001](#)