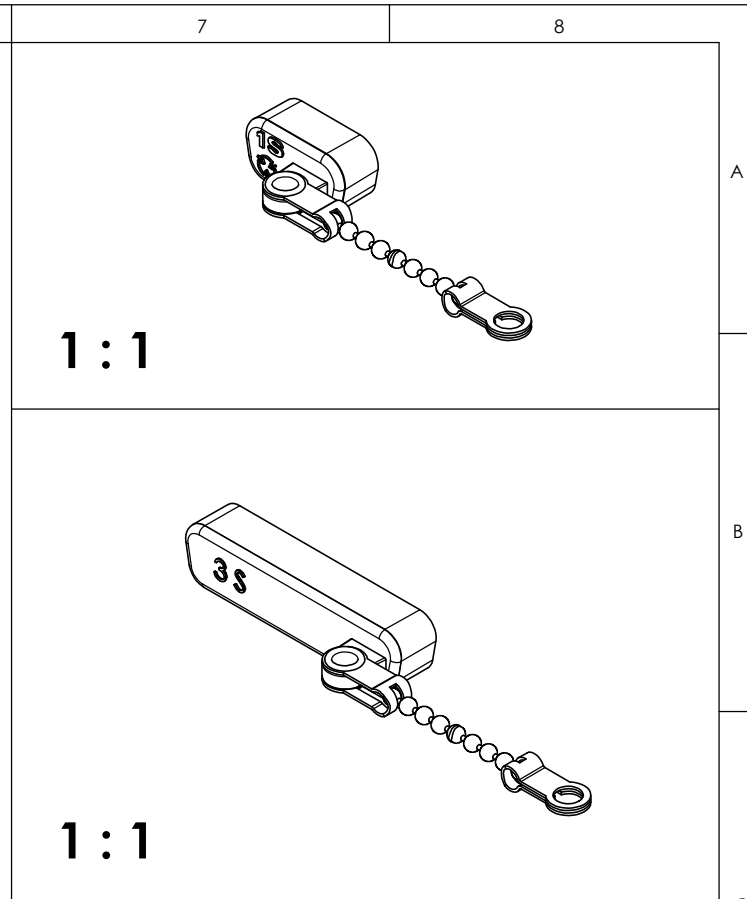
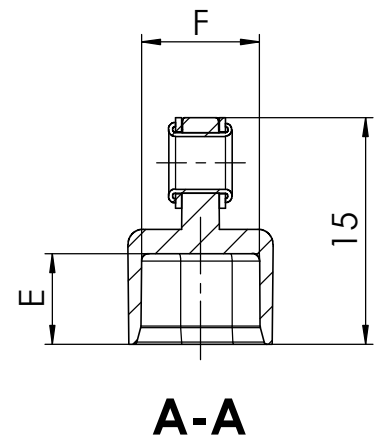
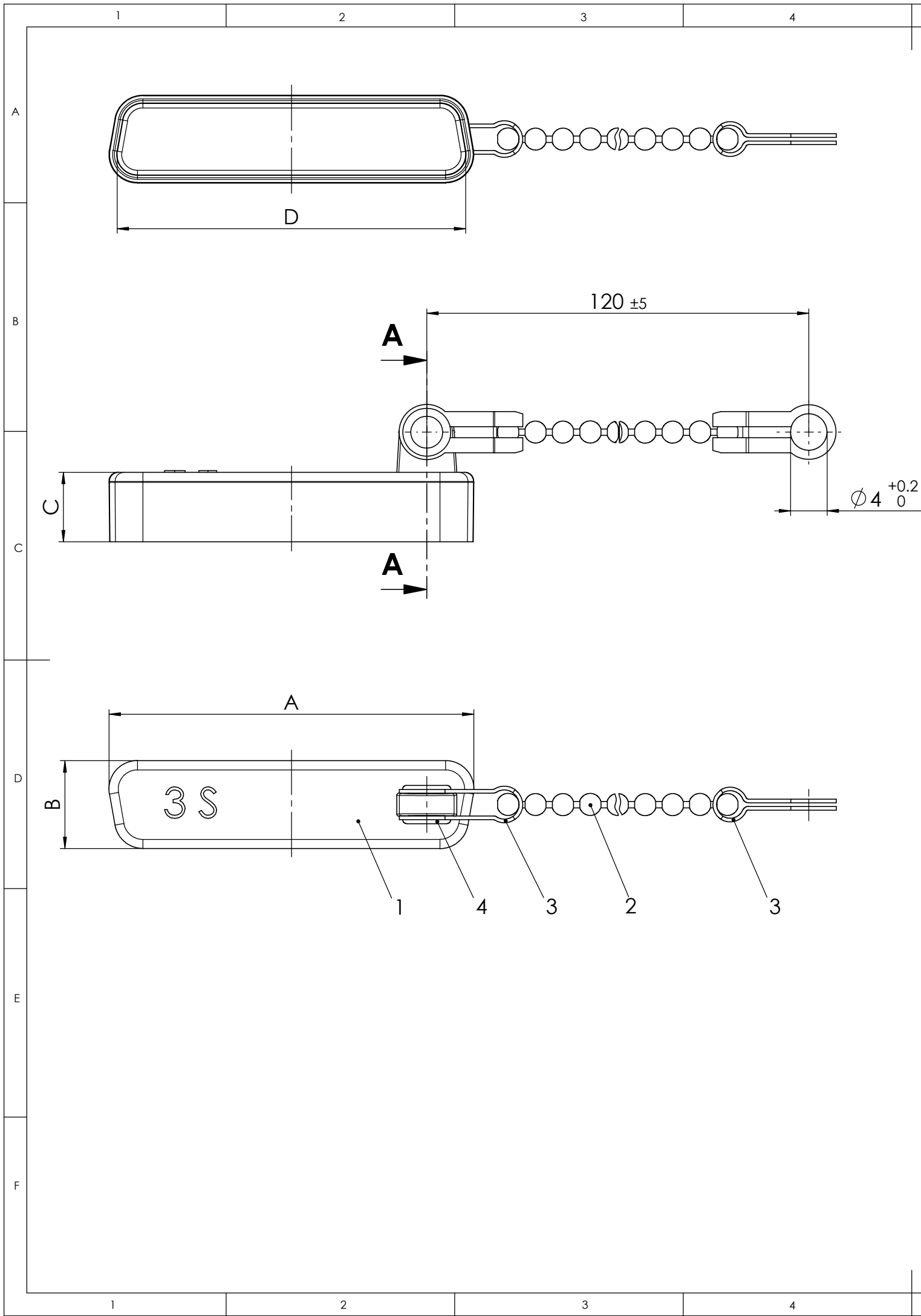


COMMENT: ALL RIGHTS ARE RESERVED BY US FOR THIS DRAWING. WITHOUT OUR PRIOR CONSENT, IT MAY NEITHER BE DUBLICATED NOR MADE AVAILABLE TO A THIRD PARTY, AND IT ALSO MAY NOT BE IMPROPERLY USED BY THE RECEIVER, OR A THIRD PARTY.



# F1042-xSK2A

\*1)  
e.g. F1042-3SK2A

\*1) x Shell size 1, 2, 3, 4 or 5

Order-No.	Shell Size / for No. of Contacts	A ±0.3	B ±0.3	C ±0.2	D ±0.3	E ±0.2	F ±0.2
F1042-1SK2A	1 / 9	18	9.6	7.4	16.2	5.9	7.6
F1042-2SK2A*	2 / 15	26.2	9.6	7.6	24.4	6	7.8
F1042-3SK2A*	3 / 25	39.9	9.6	7.6	38.3	6	7.8
F1042-4SK2A*	4 / 37	56.2	9.6	7.6	54.7	6	7.8
F1042-5SK2A*	5 / 50	53.7	12.2	7.6	52.6	6	10.5

\* without "antistatic symbol"

RoHS compliant

4	1	Tubular rivet	Brass	nickel plated
3	2	Eyelet	Brass	nickel plated
2	1	Bead chain	Brass	nickel plated
1	1	Plastic dust cap	F1042-1-5SLA / PP antistatic	black
No.	St.	Part	Type Description/Material	Surface plating/Colour/Class
			SCALE 2:1	TITLE Plastic Dust Cap with chain
			NAME / DATE ameyerrichte 02-09-2016	
			DRAWN BWitek 02-09-2016	
			CHECKED	
			<b>FCT</b> a molex company	DWG.NO. F1042-1-5SK2A
1				REV. 1
REV.	DATE	CH.-NO.	ORIGINAL: DIN A3-DRAWING AS A FILE	REPLACEMENT FOR:
				PAGES 1

# Mouser Electronics

Authorized Distributor

Click to View Pricing, Inventory, Delivery & Lifecycle Information:

[Molex:](#)

[173112-0435](#)