

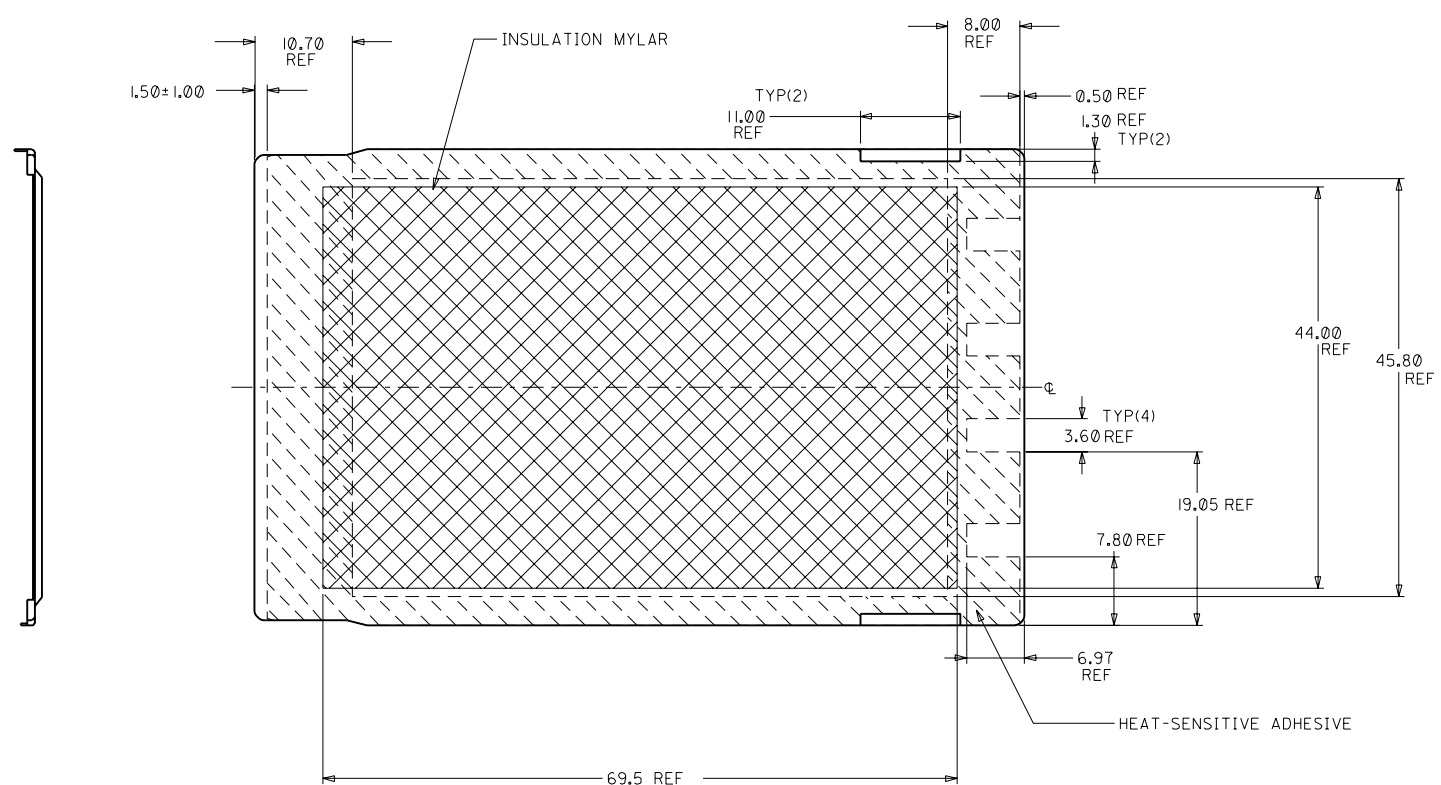
8 7 6 5 4 3 2 1

ENG. NO SDE-89436-00**

EDP NO.

SIMILAR ITEM

CAD FILE : _S8943603



P/N : 89436-00*1
 (ADHESIVE TAPE CUT OUT FOR ISP SHIELDED I/O)

DO NOT SCALE DRAWING

						MATERIAL :		MOLEX TAIWAN LTD. SHEET 3 OF 3	
						FINISH :			
						WIRE RANGE :		GENERAL TOLERANCES ANGLE : ± 3° DIM : ± .25 / .010	
						INS. RANGE :		ENG. NO. : SDE-89436-00**	
A	NEW OPTION	T98-238	THOMAS	980113			REV A		
LTR	REVISION RECORD	ECN	DR	DATE	DRAWN BY 980113 THOMAS CHANG		CHK'D BY		
REVISE ONLY ON CAD SYSTEM						APPR'D BY		SCALE 2:1	
								TITLE : COVER, TYPE II MEMORY CARD	

ENG. NO SDE-89436-00**

EDP NO.

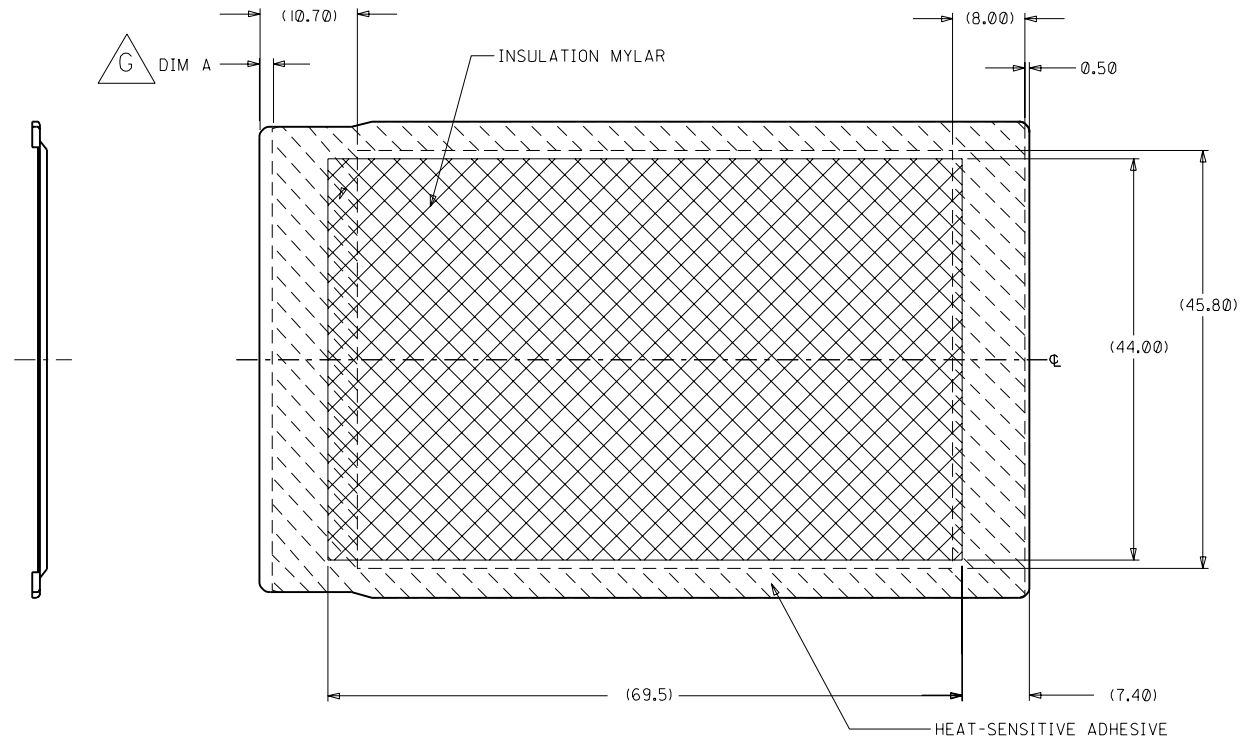
SIMILAR ITEM

CAD FILE : S8943602

DO NOT SCALE DRAWING

8 7 6 5 4 3 2 1

F
E
D
C
B
A



△ P/N : 89436-00*0 (DIM A= 1.50±1.0)
89436-00*2 (DIM A= 2.50±1.0)

				MATERIAL :		MOLEX TAIWAN LTD.	
						SHEET 2 OF 3	
G	NEW OPTION	T99-101	THOMAS	991019	FINISH :		
F	NEW OPTION	T98-238	THOMAS	980113	GENERAL TOLERANCES		
E	RELEASE TO MANUFACTURING	T97391	JULIA	970508	ANGLE : ± 3° DIM : ± .25/0.10		
D	PER ECN T97-270		JULIA	970224	ENG. NO.:		
C	PER ECN T97-142		JULIA	961029	SDE-89436-00**		
B	PER ECN T97-024		JULIA	960820	REV G		
A1	PER ECN T96-375		JULIA	960514	TITLE :		
LTR	REVISION RECORD	ECN	DR	DATE	DRAWN BY 960227 Julio Hung	CHK'D BY	COVER, TYPE II MEMORY CARD
REVISE ONLY ON CAD SYSTEM					APPR'D BY	SCALE 2:1	

Mouser Electronics

Authorized Distributor

Click to View Pricing, Inventory, Delivery & Lifecycle Information:

[Molex:](#)

[89436-0000](#) [89436-0010](#)