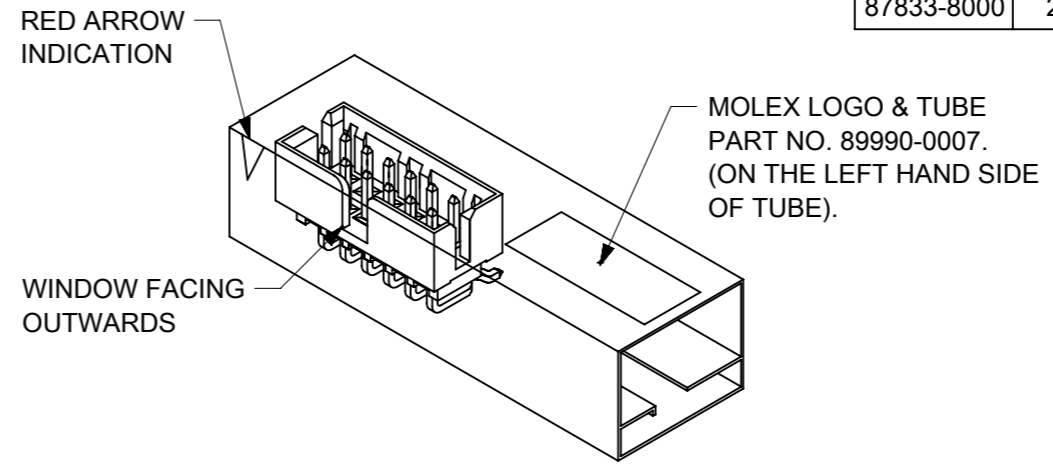
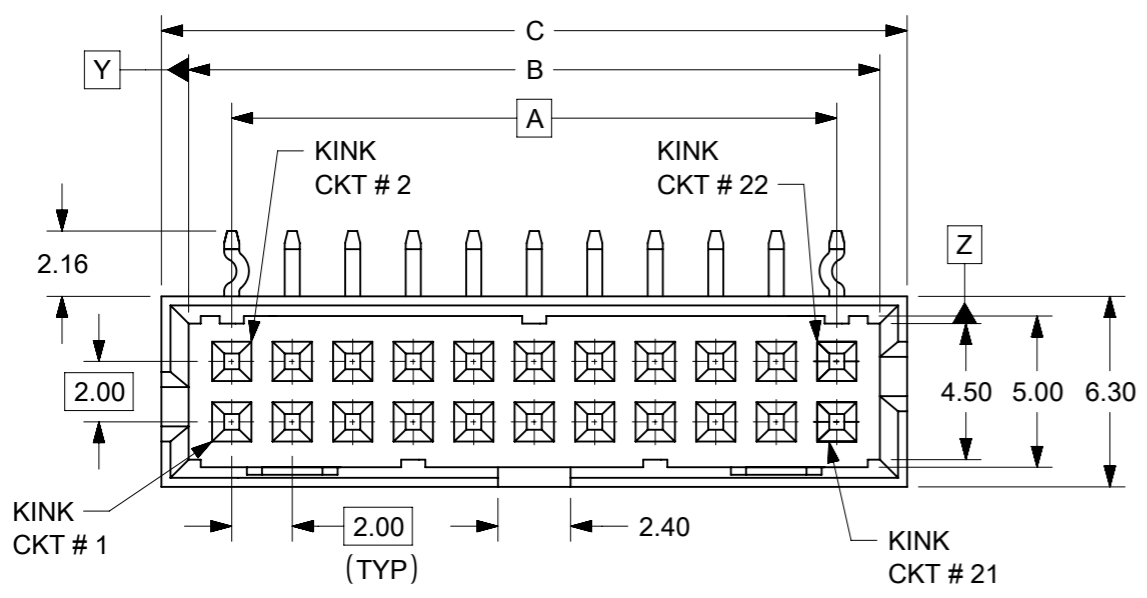
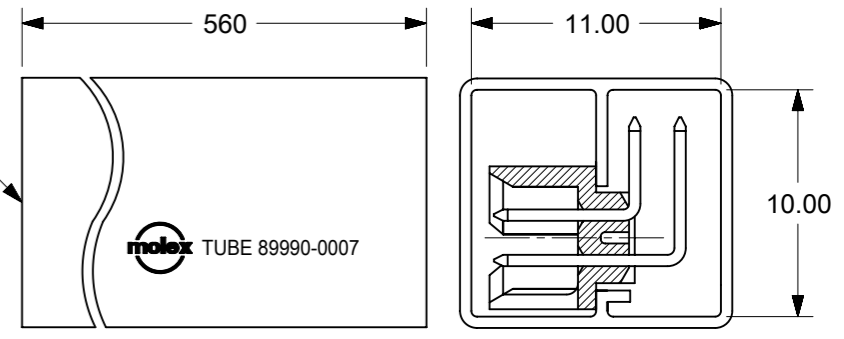


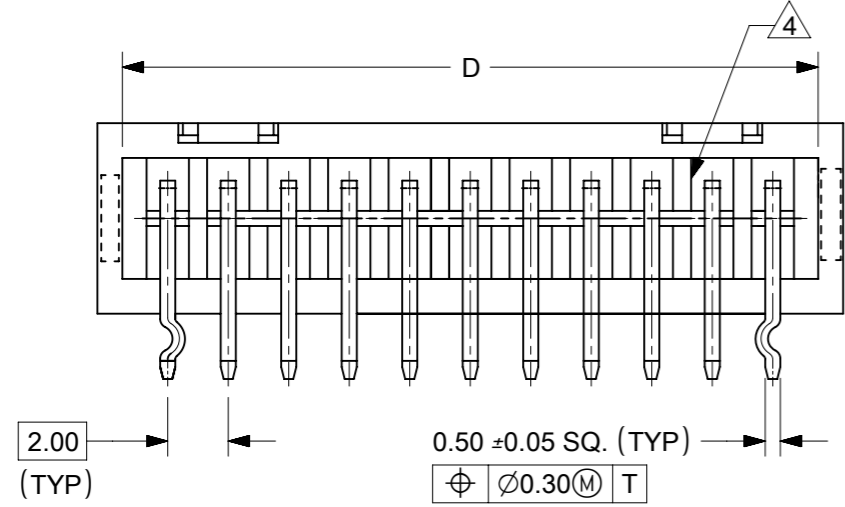
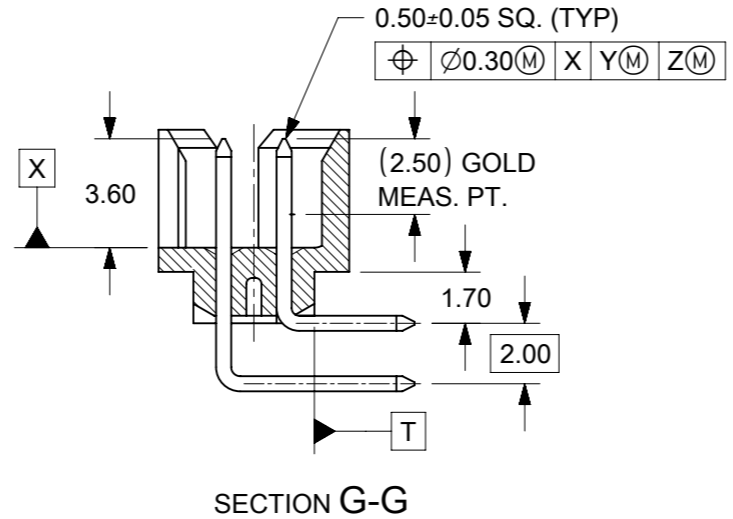
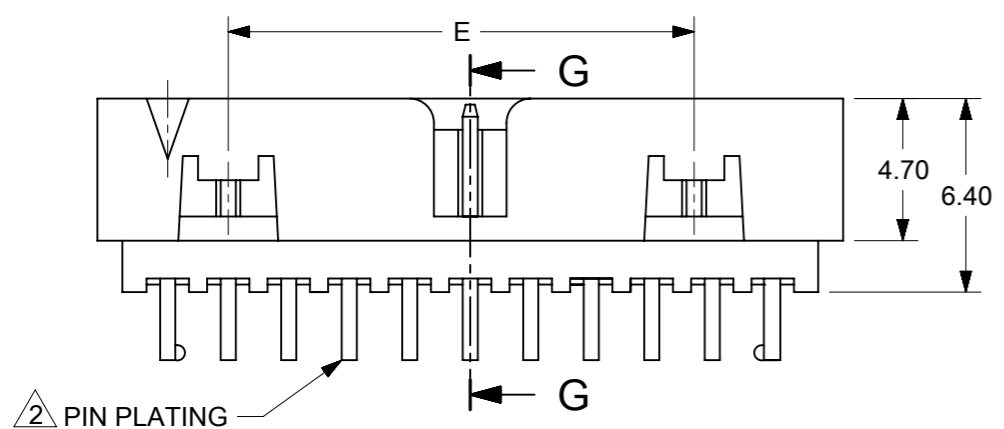
PART NO.	CKT SIZE	KINK CKT	DIMENSION				
			A	B	C	D	E
87833-8000	22	1, 2, 21 & 22	20.00	22.85	24.65	23.00	16.00



REF: ORIENTATION OF PART IN TUBE.
(FOR THE REFERENCE OF PART/TUBE ASSEMBLY.)

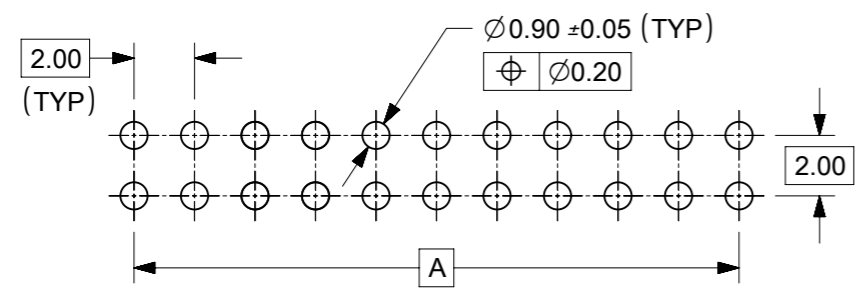
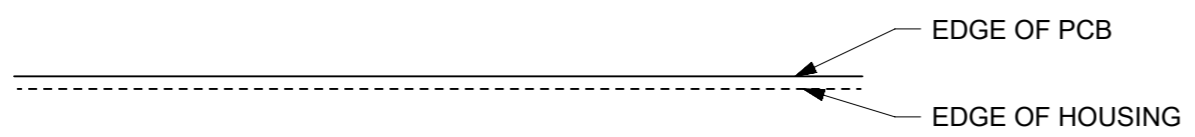


REF: ORIENTATION OF PART IN TUBE.



NOTES:

- MATERIAL :
HOUSING : 30% G.F., NYLON 46, UL94V-0, COLOR BLACK.
PIN : 0.50mm SQ. PHOSPHOR BRONZE.
- PLATING :
0.38µm/15µin GOLD IN CONTACT AREA AND 1.88µm/75µin MIN. TIN IN SOLDER TAIL AREA OVER 1.27µm/50µin MIN. NICKEL OVERALL.
- PRODUCT SPECIFICATION PS-87831-027 APPLIES.
- LINKWAYS VARIES FROM PART TO PART BECAUSE OF DIFFERENT MOLD.
- RECOMMENDED PCB THICKNESS : 1.60±0.10mm.
- PARTS ARE TO BE PACKED IN TUBE WITH MOISTURE BARRIER BAG.
- THIS HEADER MATES WITH MOLEX:
a) CRIMP RECEPTACLE HOUSING, 51110 SERIES
WITH CRIMP TERMINAL, 50394 SERIES.
b) 2mm MILLIGRID DUAL ROW IDT, 87568 SERIES.



RECOMMENDED PCB PATTERN

SYMBOLS	THIS DRAWING CONTAINS INFORMATION THAT IS PROPRIETARY TO MOLEX ELECTRONIC TECHNOLOGIES, LLC AND SHOULD NOT BE USED WITHOUT WRITTEN PERMISSION		CURRENT REV DESC: SEE ECM 170067 FOR REFERENCE						
	DIMENSION UNITS	SCALE						EC NO: 611028	DRWN: ME
▽ = 0	MM	1:1	DRWN: ME	2019/01/17	PRODUCT CUSTOMER DRAWING	DOCUMENT NUMBER	DOC TYPE	DOC PART	REVISION
▽ = 0	GENERAL TOLERANCES (UNLESS SPECIFIED)		CHK'D: MKAMATHMARAK	2019/01/25					
▽ = 0			APPR: ME	2019/01/28					
▽ = 0	4 PLACES ±		INITIAL REVISION:						
▽ = 0	3 PLACES ±		DRWN: ATSEE	2003/10/27	SD-87833-017	PSD	001	A4	
▽ = 0	2 PLACES ±	0.2	APPR: SKTOH	2003/11/07					
▽ = 0	1 PLACE ±		ANGULAR TOL ± 3.0°		MATERIAL NUMBER	CUSTOMER	SHEET NUMBER		
▽ = 0	0 PLACES ±		DRAFT WHERE APPLICABLE MUST REMAIN WITHIN DIMENSIONS	THIRD ANGLE PROJECTION	DRAWING	SERIES	SEE TABLE	GENERAL MARKET	1 OF 1
▽ = 0					A3-SIZE	87833			

Mouser Electronics

Authorized Distributor

Click to View Pricing, Inventory, Delivery & Lifecycle Information:

[Molex:](#)

[87833-8000](#)