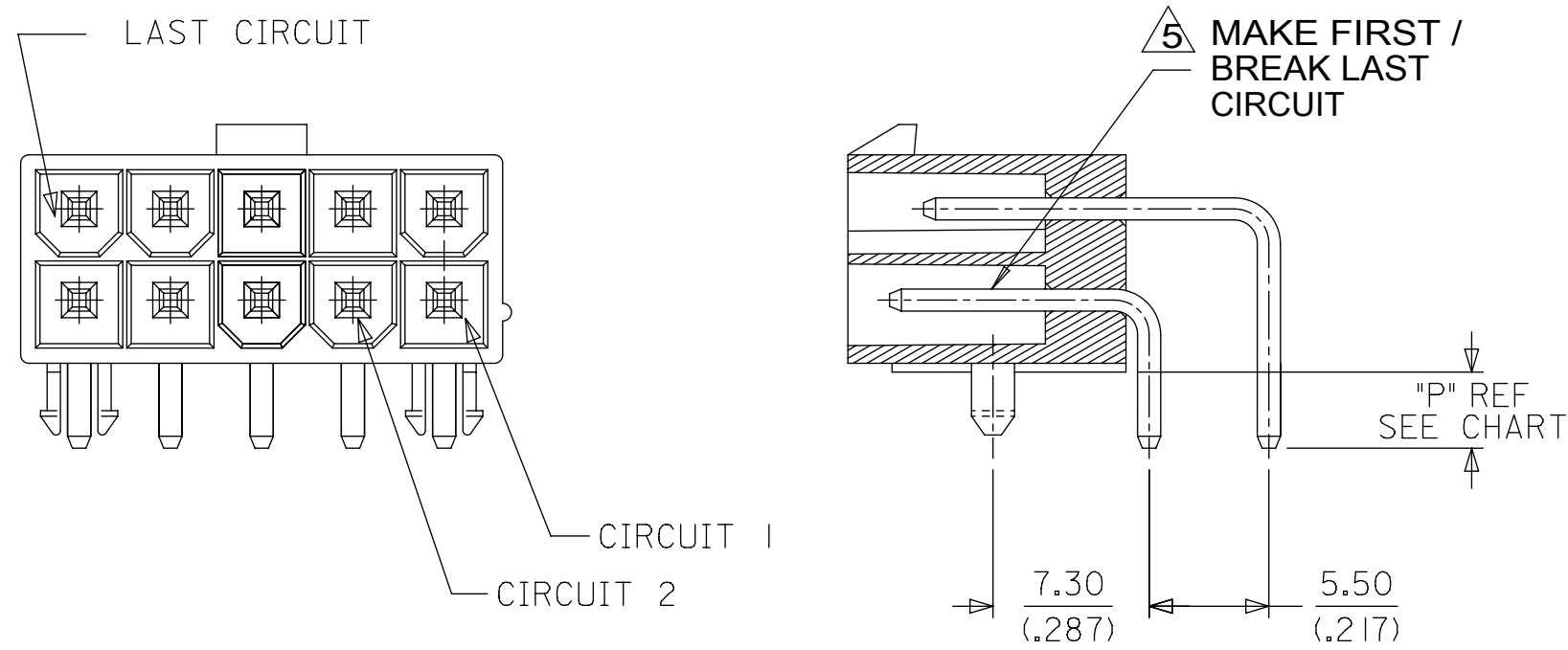
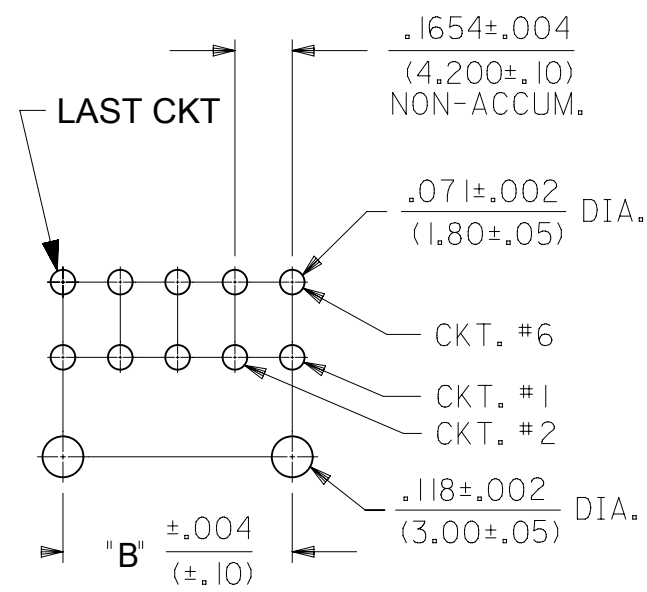
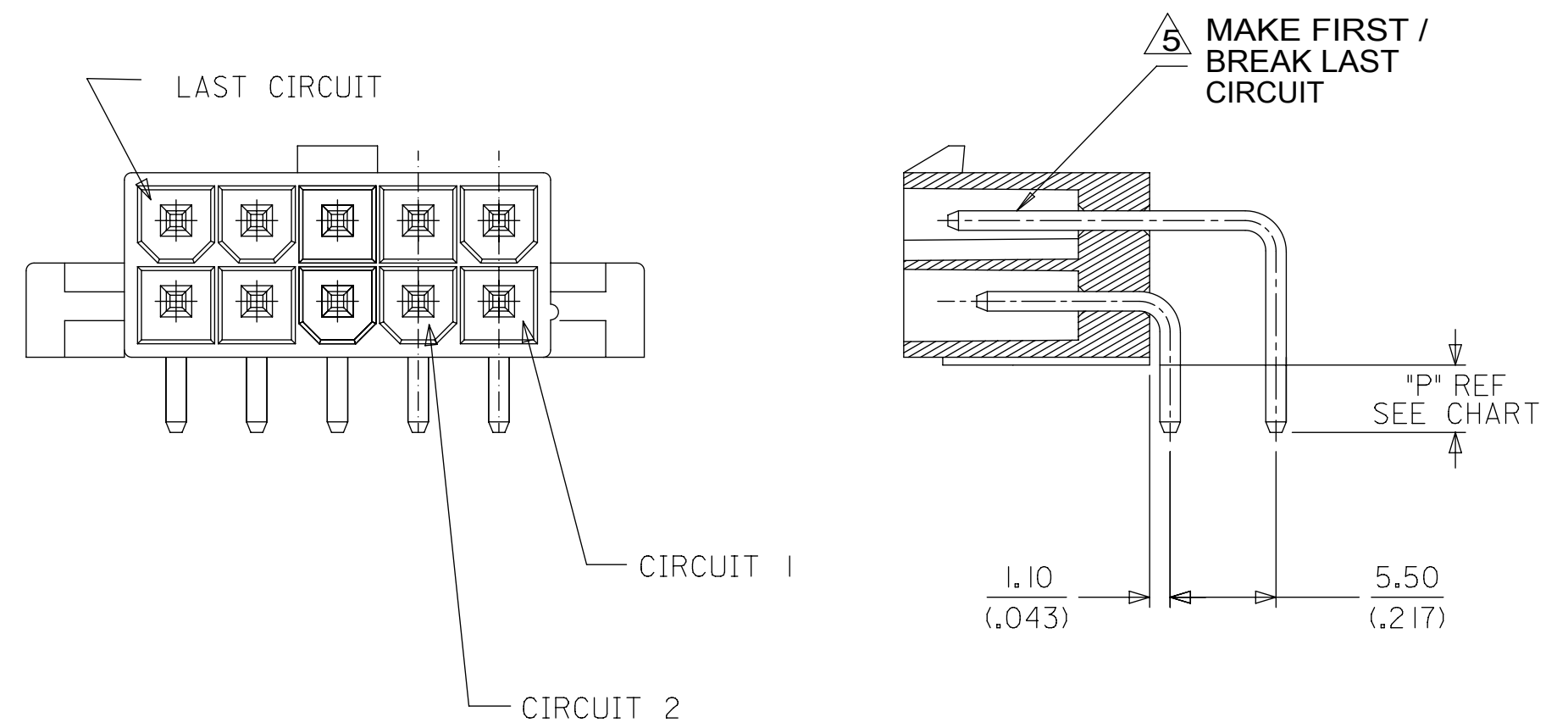


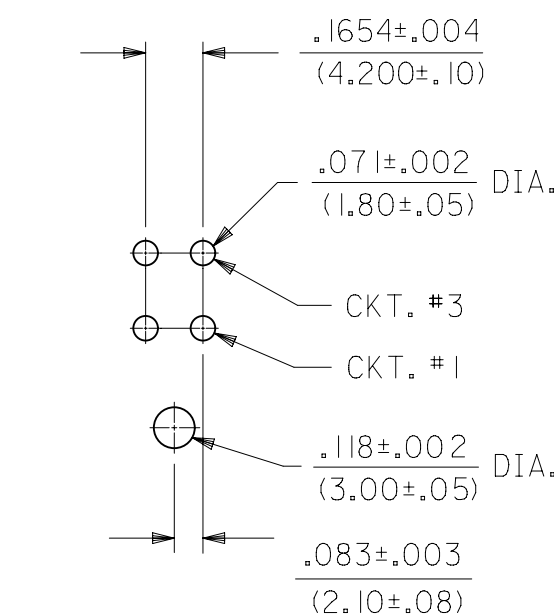
HOUSING WITH PEGS



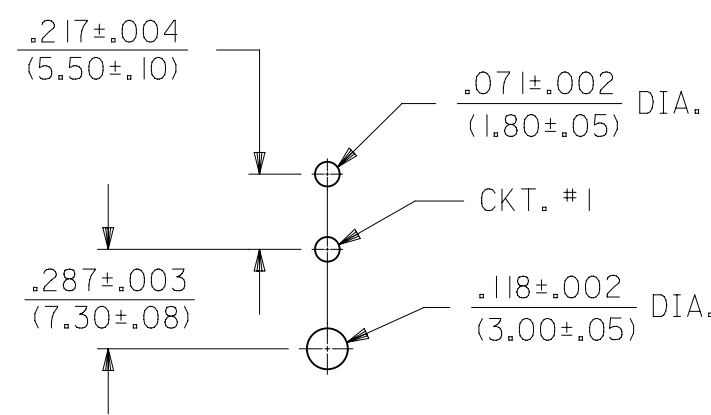
HOUSING WITH FLANGE



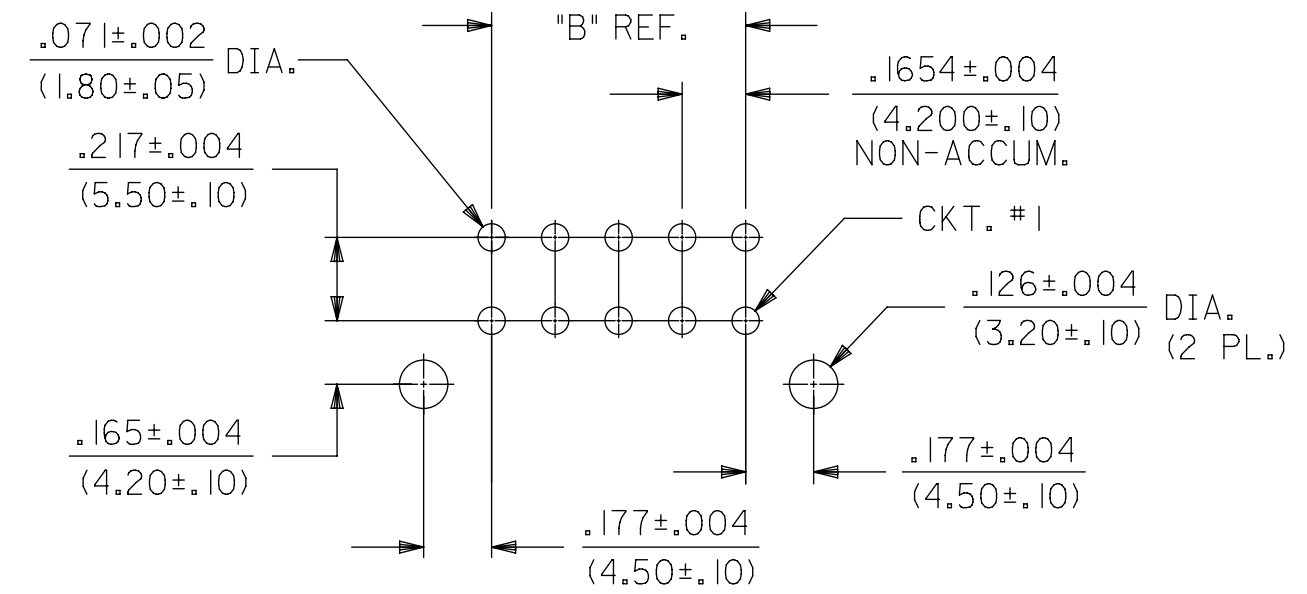
RECOMMENDED HOLE LAYOUT FOR .070/(1.78) MAX. THICK P.C. BOARD VIEWED FROM COMPONENT SIDE FOR 6 THRU 24 CIRCUITS



RECOMMENDED HOLE LAYOUT FOR .070/(1.78) MAX. THICK P.C. BOARD VIEWED FROM COMPONENT SIDE FOR 4 CIRCUIT PARTS



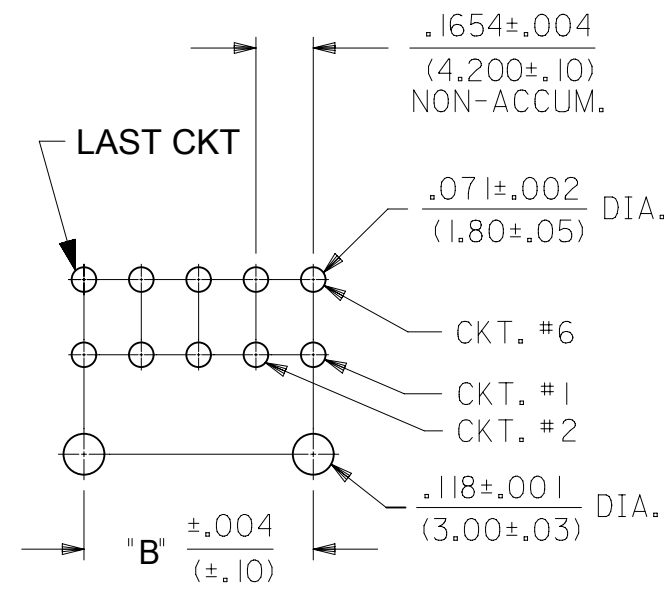
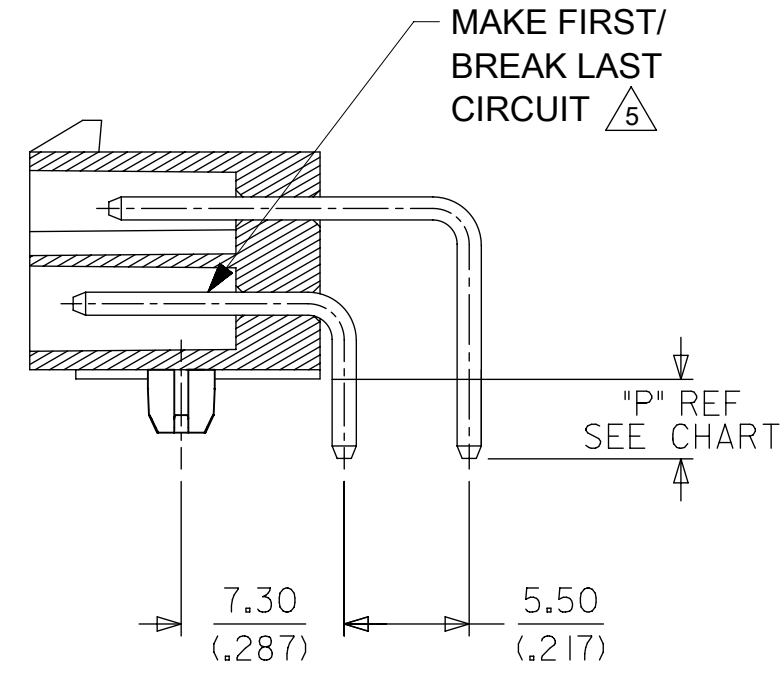
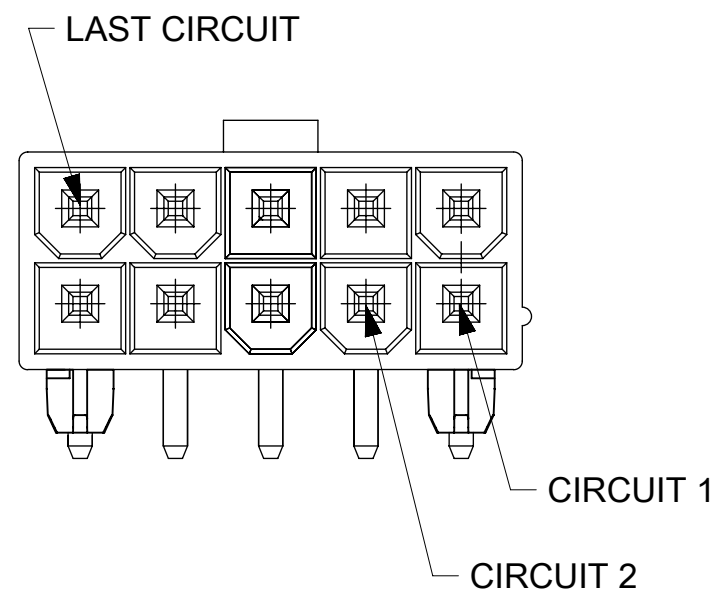
RECOMMENDED HOLE LAYOUT FOR .070/(1.78) MAX. THICK P.C. BOARD VIEWED FROM COMPONENT SIDE FOR 2 CIRCUIT PARTS



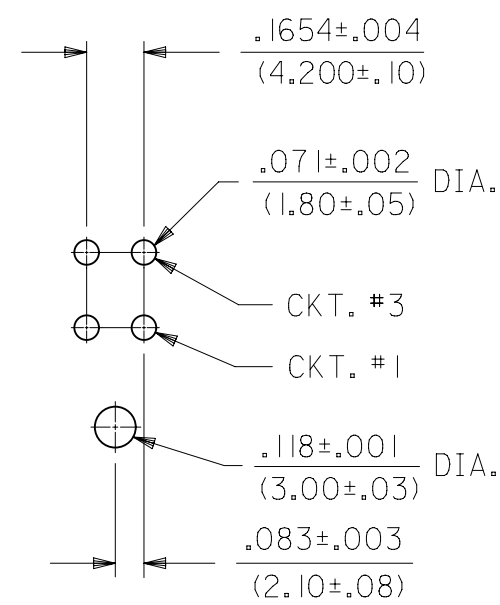
RECOMMENDED HOLE LAYOUT FOR .070/(1.78) MAX. THICK P.C. BOARD. (FLANGE MOUNT)

SYMBOLS										THIS DRAWING CONTAINS INFORMATION THAT IS PROPRIETARY TO MOLEX ELECTRONIC TECHNOLOGIES, LLC AND SHOULD NOT BE USED WITHOUT WRITTEN PERMISSION														
DIMENSION UNITS					SCALE					CURRENT REV DESC: ADDED 44130-0049 P/N														
IN/MM					4:1					molex MINI-FIT JR RIGHT ANGLE HEADER ASSY CUSTOM HEADERS PRODUCT CUSTOMER DRAWING														
GENERAL TOLERANCES (UNLESS SPECIFIED)																				EC NO: 645384 DRWN: EHAUGERUD 2020/09/15 CHK'D: DSTEIER 2020/09/18 APPR: FSMITH 2020/09/23				
4 PLACES ±					3 PLACES ±					2 PLACES ± 0.38					1 PLACE ± 0.38					0 PLACES ±				
ANGULAR TOL ± 0.5 °										THIRD ANGLE PROJECTION					DRAWING					SERIES				
DRAFT WHERE APPLICABLE MUST REMAIN WITHIN DIMENSIONS										C-SIZE					44130					1998/01/23				
DOCUMENT STATUS										P1					RELEASE DATE					2020/09/23 23:07:16				
SD-44130-001										PSD					000					E17				
SEE CHART										GENERAL MARKET					2 OF 5									

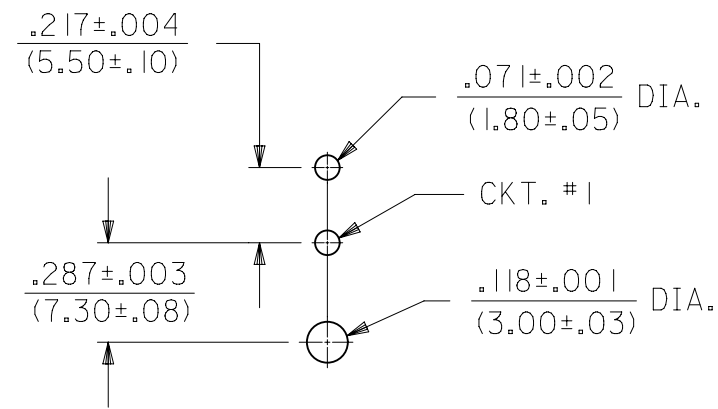
HOUSING WITH PRESS FIT PEGS



RECOMMENDED HOLE LAYOUT FOR .070/(1.78) MAX. THICK P.C. BOARD VIEWED FROM COMPONENT SIDE FOR 6 THRU 24 CIRCUITS



RECOMMENDED HOLE LAYOUT FOR .070/(1.78) MAX. THICK P.C. BOARD VIEWED FROM COMPONENT SIDE FOR 4 CIRCUIT PARTS



RECOMMENDED HOLE LAYOUT FOR .070/(1.78) MAX. THICK P.C. BOARD VIEWED FROM COMPONENT SIDE FOR 2 CIRCUIT PARTS

SYMBOLS	THIS DRAWING CONTAINS INFORMATION THAT IS PROPRIETARY TO MOLEX ELECTRONIC TECHNOLOGIES, LLC AND SHOULD NOT BE USED WITHOUT WRITTEN PERMISSION			
	DIMENSION UNITS	SCALE		CURRENT REV DESC: ADDED 44130-0049 P/N
∇ = 0	IN/MM	4:1		molex MINI-FIT JR RIGHT ANGLE HEADER ASSY CUSTOM HEADERS
∇ = 0	GENERAL TOLERANCES (UNLESS SPECIFIED)			
∇ = 0		MM	INCH	EC NO: 645384 DRWN: EHAUGERUD 2020/09/15 CHK'D: DSTEIER 2020/09/18 APPR: FSMITH 2020/09/23
S = 0	4 PLACES	±	±	INITIAL REVISION: DRWN: DRWN BY XXXX/XX/XX APPR: APPR BY XXXX/XX/XX
∇ = 0	3 PLACES	±	±	
∇ = 0	2 PLACES	± 0.38	±	PRODUCT CUSTOMER DRAWING DOCUMENT NUMBER: SD-44130-001 DOC TYPE: PSD DOC PART: 000 REVISION: E17
∇ = 0	1 PLACE	± 0.38	±	
∇ = 0	0 PLACES	±	±	MATERIAL NUMBER: GENERAL MARKET CUSTOMER: GENERAL MARKET SHEET NUMBER: 3 OF 5
∇ = 0	ANGULAR TOL	± 0.5°		
∇ = 0	DRAFT WHERE APPLICABLE MUST REMAIN WITHIN DIMENSIONS	THIRD ANGLE PROJECTION		DRAWING: C-SIZE SERIES: 44130

MATERIAL NUMBER	HOUSING MAT'L/COLOR	NO OF CKT	HOUSING OPTION	PKG	FINISH SEE NOTE #2	PIN IDENTIFICATION CODE / CIRCUIT LOCATION (SEE CHART BELOW) V = VOID																							
						CKT 1	CKT 2	CKT 3	CKT 4	CKT 5	CKT 6	CKT 7	CKT 8	CKT 9	CKT 10	CKT 11	CKT 12	CKT 13	CKT 14	CKT 15	CKT 16	CKT 17	CKT 18	CKT 19	CKT 20	CKT 21	CKT 22	CKT 23	CKT 24
44130-0001	NYLON 94V-2/BLACK	06	PEG	TRAY	MS					2																			
44130-0002	NYLON 94V-2/BLACK	08	PEG	TRAY	MS	2																							
44130-0003	NYLON 94V-0/BLACK	08	PEG	TRAY	MS	2																							
44130-0004	NYLON 94V-0/BLACK	06	PEG	TRAY	MS					2																			
44130-0006	NYLON 94V-0/NATURAL	04	PEG	BULK	MS	2	3	2	2																				
44130-0007	NYLON 94V-0/NATURAL	06	PEG	BULK	MS	2			2	2	2																		
44130-0008	NYLON 94V-0/NATURAL	10	FLANGES	BULK	MS	4	4	4	4	4	4	4	4	4	4														
44130-0009	NYLON 94V-0/NATURAL	06	PEG	TRAY	MS	V			2	2	2																		
44130-0013	NYLON 94V-0/NATURAL	06	FLANGES	TRAY	MS	2	2	2		2	2																		
44130-0015	NYLON 94V-2/NATURAL	24	PEG	TRAY	MS	2	2																			2			
44130-0017	NYLON 94V-0/BLACK	08	PEG	TRAY	MS		2																						
44130-0024	NYLON 94V-0/NATURAL	08	PEG	BULK	GS	2	2	5	2	2	5	2	2																
44130-0026	NYLON 94V-2/NATURAL	04	PEG	BULK	MS	8	8	8	8																				
44130-0027	NYLON 94V-0/NATURAL	02	PEG	BULK	MS	5	5																						
44130-0028	NYLON 94V-0/NATURAL	04	PEG	BULK	MS	8	8	8	8																				
44130-0030	NYLON 94V-0/NATURAL	06	PEG	TRAY	GS	2	1	2	2	2	2																		
44130-0031	NYLON 94V-0/NATURAL	08	PEG	BULK	MS	9	9	9	9	9	9	9																	

PIN ID	MATING CONFIGURATION	DIM P REF (PCB TAIL LENGTH)	PIN ID	MATING CONFIGURATION	DIM P (PCB TAIL LENGTH)
2	STANDARD MATING	3.5 (.14)			
3	MAKE FIRST/BREAK LAST (LONGER PIN)	4.9 (.19)			
4	STANDARD MATING	6.0 (.24)			
5	MAKE FIRST/BREAK LAST (LONGER PIN)	4.2 (.17)			
6	STANDARD MATING	4.2 (.17)			
8	STANDARD MATING	5.3 (.21)			

SYMBOLS										THIS DRAWING CONTAINS INFORMATION THAT IS PROPRIETARY TO MOLEX ELECTRONIC TECHNOLOGIES, LLC AND SHOULD NOT BE USED WITHOUT WRITTEN PERMISSION									
DIMENSION UNITS					SCALE					CURRENT REV DESC: ADDED 44130-0049 P/N									
IN/MM					1:1					molex MINI-FIT JR RIGHT ANGLE HEADER ASSY CUSTOM HEADERS PRODUCT CUSTOMER DRAWING									
GENERAL TOLERANCES (UNLESS SPECIFIED)																			
4 PLACES ±					MM					INCH					EC NO: 645384				
3 PLACES ±															DRWN: EHAUGERUD 2020/09/15				
2 PLACES ± 0.38															CHK'D: DSTEIER 2020/09/18				
1 PLACE ± 0.38															APPR: FSMITH 2020/09/23				
0 PLACES ±															INITIAL REVISION:				
ANGULAR TOL ± 0.5°															DRWN: POLGAR 1998/01/23				
DRAFT WHERE APPLICABLE MUST REMAIN WITHIN DIMENSIONS					THIRD ANGLE PROJECTION					DRAWING					SERIES				
					C-SIZE					44130					MATERIAL NUMBER				
															CUSTOMER				
															SHEET NUMBER				
															4 OF 5				

Mouser Electronics

Authorized Distributor

Click to View Pricing, Inventory, Delivery & Lifecycle Information:

[Molex:](#)

[44130-0008](#)