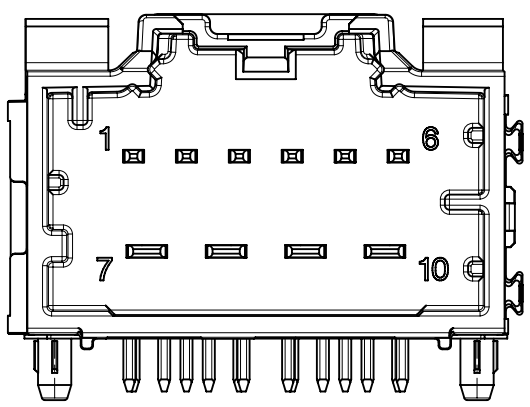
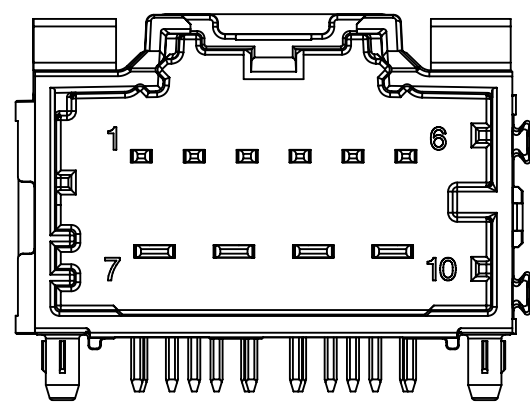


OPTION 'A'

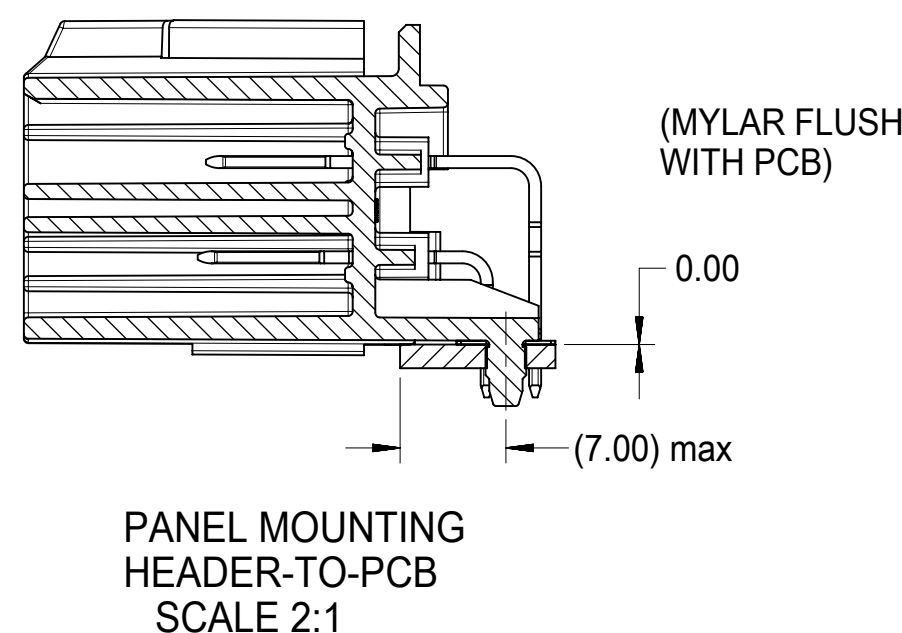
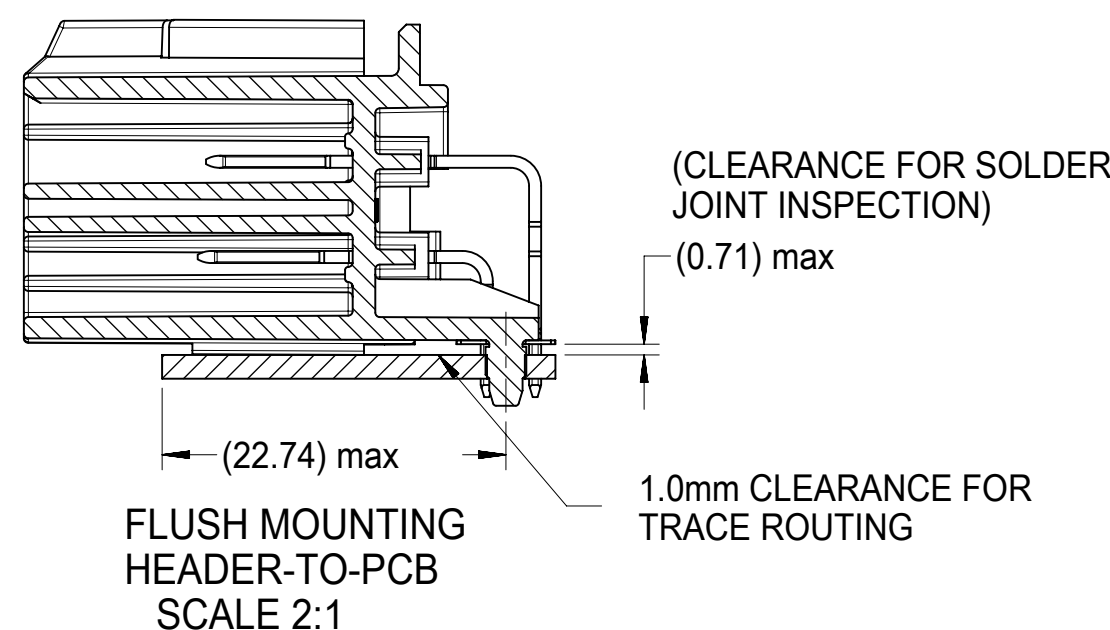
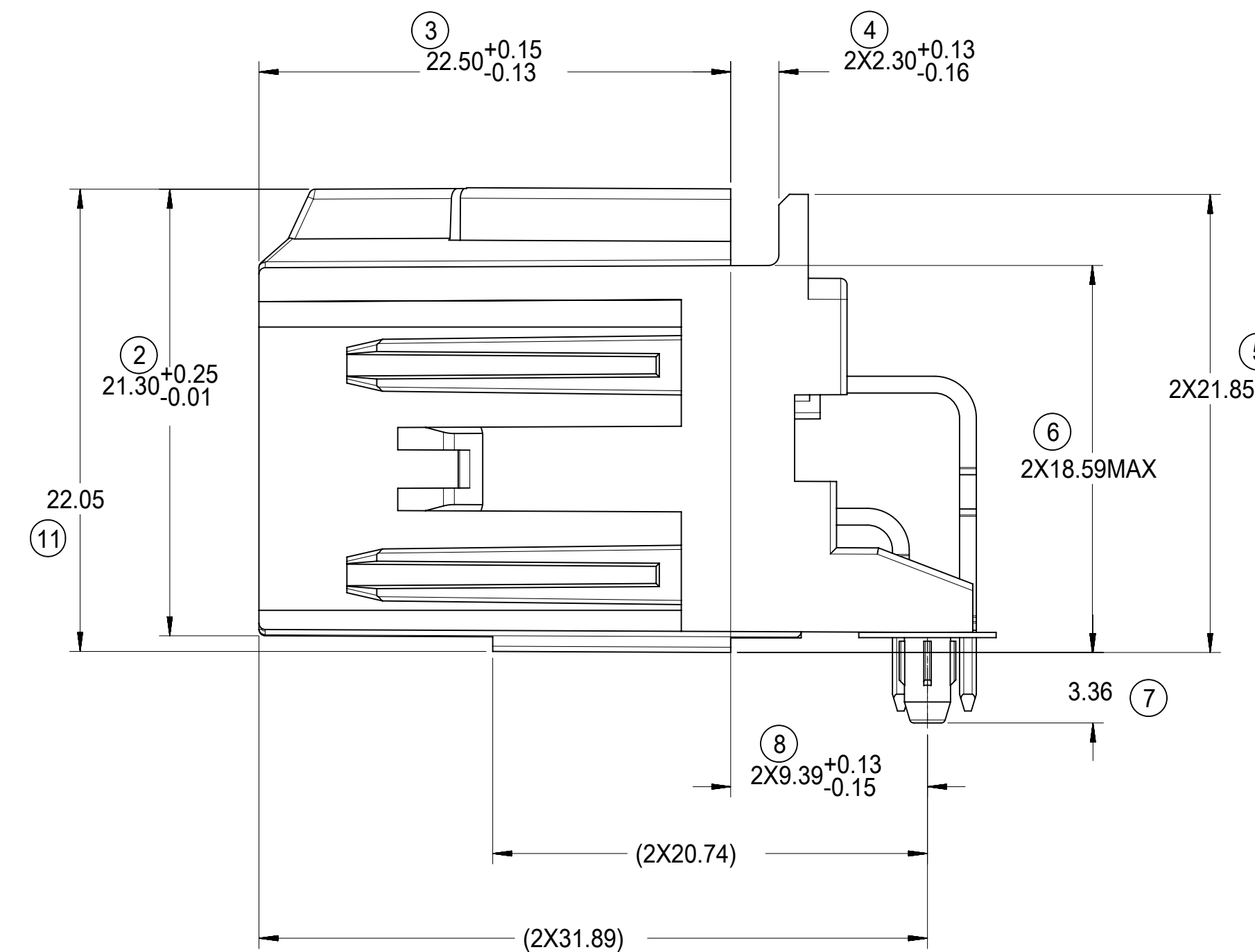
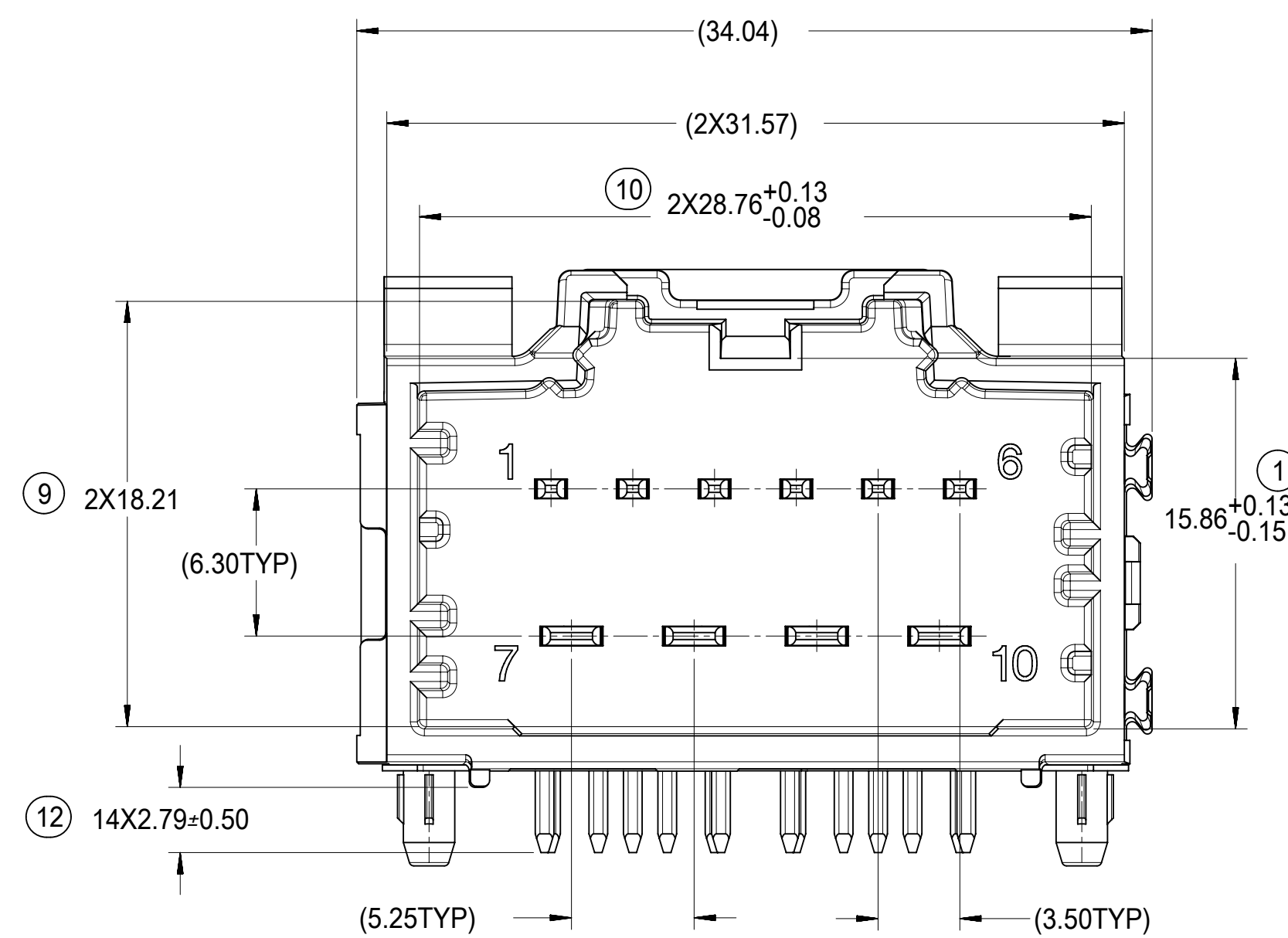


OPTION 'B'

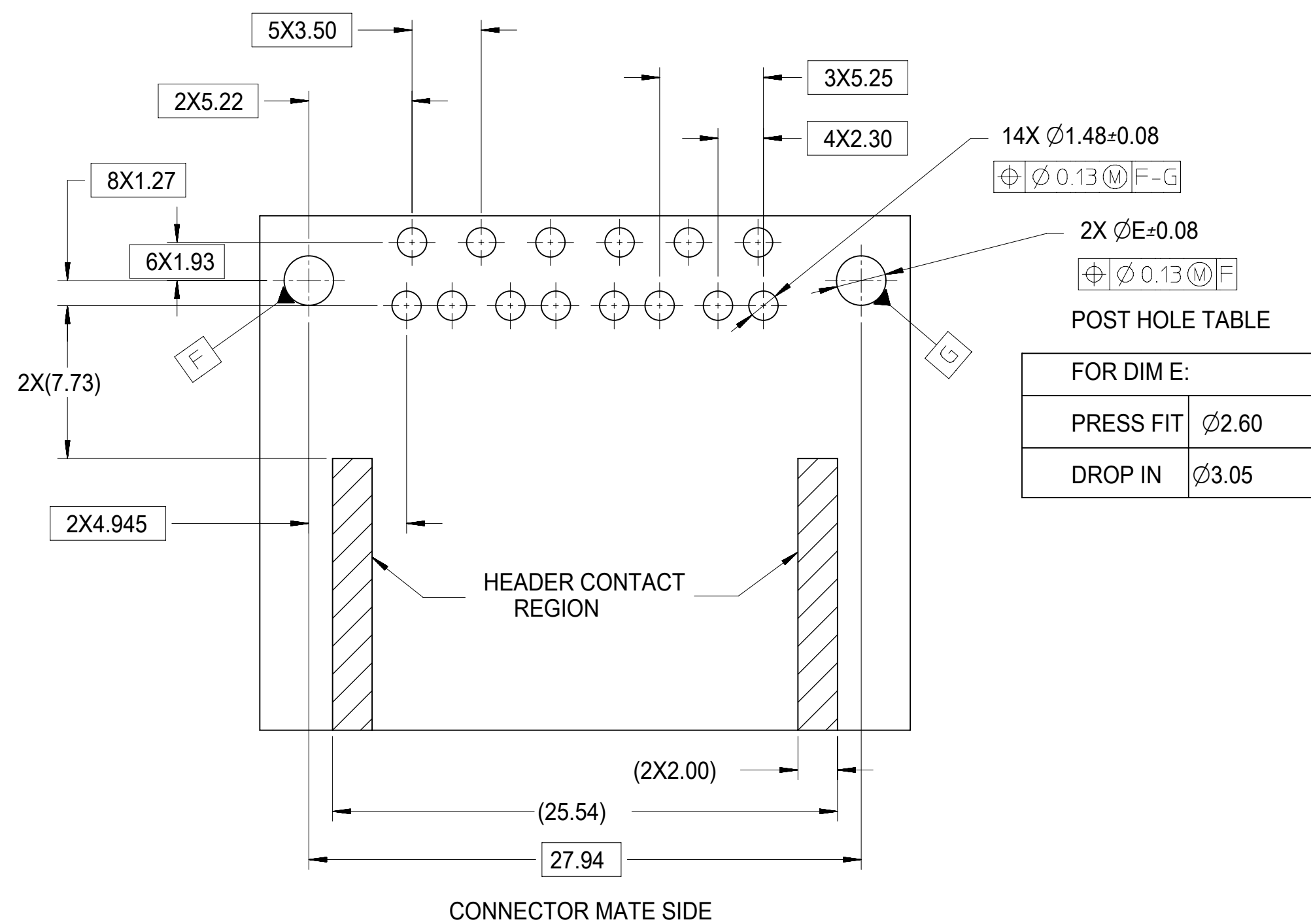


OPTION 'C'

MATERIAL NUMBER			CKT SIZE	DESCRIPTION	POL	COLOR
TUBE PACK	TRAY PACK	ALT TRAY				
34696-9100	34696-0100	34696-9103	10	POWER STAC RIGHT ANGLE HEADER ASSEMBLY (4 x 2.8mm + 6 x 1.5mm)	A	BLACK
34696-9101	34696-0101	34696-9104	10	POWER STAC RIGHT ANGLE HEADER ASSEMBLY (4 x 2.8mm + 6 x 1.5mm)	B	GREY
34696-9102	34696-0102	34696-9105	10	POWER STAC RIGHT ANGLE HEADER ASSEMBLY (4 x 2.8mm + 6 x 1.5mm)	C	BROWN



RECOMMENDED PCB LAYOUT



NOTES: VALID UNLESS OTHERWISE SPECIFIED
1. GENERAL:

a. CONNECTOR HEADER MUST BE VALIDATED TO THE FOLLOWING FUNCTIONAL REQUIREMENTS:

PIN RETENTION = USCAR-2 REV 4

SOLDERABILITY = SMES-152

b. APPLICATION REQUIREMENTS (REFERENCE ONLY) FOR:

SEE APPLICATION SPECIFICATION = AS-34729-020

SEE PRODUCT SPECIFICATION = PS-31372-100

MATES WITH: SD-31372-900

c. PACKAGING SPECIFICATION PER MOLEX DRAWING PK-31300-892 (TRAY)

d. PACKAGING SPECIFICATION PER MOLEX DRAWING PK-31301-063 (TUBE)

e. PACKAGING SPECIFICATION PER MOLEX DRAWING PK-31300-894 (ALT TRAY)

2. DESIGN: MATERIALS:

a. SHROUD (PLASTIC HOUSING):
RESIN - SPS 30%GF

b. 1.50mm BLADES:
BASE MATERIAL: C19400
PLATING TYPE: AS NOTED

2.80mm BLADES:
BASE MATERIAL: C19400
PLATING TYPE: AS NOTED

c. PIN ALIGNMENT PLATE: MYLAR

3. PLATING REQUIREMENTS:

a. UNDERPLATING - OVERALL NICKEL

b. OVERPLATING - OVERALL TIN

SYMBOLS	THIS DRAWING CONTAINS INFORMATION THAT IS PROPRIETARY TO MOLEX ELECTRONIC TECHNOLOGIES, LLC AND SHOULD NOT BE USED WITHOUT WRITTEN PERMISSION		CURRENT REV DESC:	
DIMENSION UNITS	SCALE	EC NO:	DRWN:	DATE:
▽ = 0	mm	4:1	171516	2018/01/29
▽ = 0	GENERAL TOLERANCES (UNLESS SPECIFIED)		DRWN: MYOUNG01	2018/01/30
▽ = 0	ANGULAR TOL ± 3.0°		CHK'D: RBAUMAN	2018/01/30
▽ = 0	4 PLACES ±		APPR: RBAUMAN	2018/01/30
▽ = 0	3 PLACES ±		INITIAL REVISION:	
▽ = 0	2 PLACES ± 0.13		DRWN: MBAILEY	2007/09/06
▽ = 0	1 PLACE ± 0.25		APPR: SMARCEAU	2007/09/10
▽ = 0	0 PLACES ±		DRAFT WHERE APPLICABLE MUST REMAIN WITHIN DIMENSIONS	
▽ = 0	THIRD ANGLE PROJECTION		DRAWING	SERIES
▽ = 0	D-DRAWING		34696	MATERIAL NUMBER
		CUSTOMER		SHEET NUMBER
		SEE CHART		1 OF 1

molex

STAC64 SINGLE BAY R/A
10 CKT. HEADER ASSEMBLY SALES DRAWING

PRODUCT CUSTOMER DRAWING

DOCUMENT NUMBER	DOC TYPE	DOC PART	REVISION
SD-34696-100	PSD	001	K7

Mouser Electronics

Authorized Distributor

Click to View Pricing, Inventory, Delivery & Lifecycle Information:

[Molex:](#)

[34696-9104](#)