

**PLEASE CHECK WWW.MOLEX.COM FOR LATEST PART INFORMATION**

**Part Number:** [2002140006](#)  
**Status:** **Active**  
**Overview:** [Application Tooling](#)  
**Description:** Backplane Module Installation Press-In Tool for DataPlane 85 Ohm Vertical Backplane Signal Module Assembly, 4-Pair by 16 Column Assemblies

**Documents:**  
[RoHS Certificate of Compliance \(PDF\)](#)

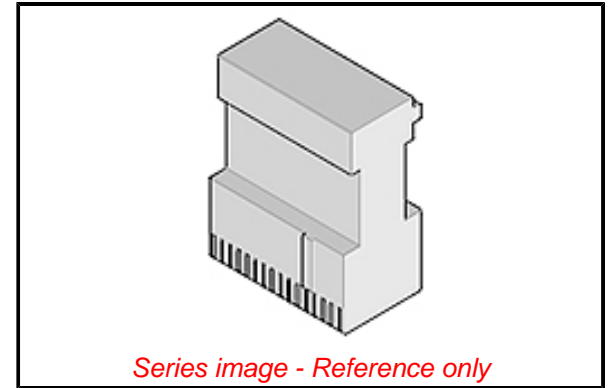
**General**

Product Family	Application Tooling
Series	<a href="#">207123</a>
Comments	See Tooling Specification (PDF) Above
Function	Insertion
Geographic Area	Global
Level of Automation	Manual
More Detailed Tech Information	<a href="mailto:applicationtooling@molex.com">applicationtooling@molex.com</a>
Overview	<a href="#">Application Tooling</a>
Product Name	DataPlane
Tool Type	Press-Fit Insertion Tool
UPC	889056384872

**Material Info**

**Reference - Drawing Numbers**

Application Tooling Documents	2002140006-000
-------------------------------	----------------



**EU ELV**

**Not Reviewed**

**EU RoHS**

**Not Reviewed**

**REACH SVHC**

Not Reviewed

**Halogen-Free**

**Status**

**Not Reviewed**

For more information, please visit [Contact US](#)

China ROHS

Not Reviewed

ELV

Not Reviewed

RoHS Phthalates

Not Reviewed

**Search Parts in this Series**

[207123 Series](#)

# Mouser Electronics

Authorized Distributor

Click to View Pricing, Inventory, Delivery & Lifecycle Information:

[Molex:](#)

[200214-0006](#)