

PLEASE CHECK WWW.MOLEX.COM FOR LATEST PART INFORMATION

Part Number: [1731110074](#)
Status: **Active**
Overview: [FCT D-Sub Connectors](#)
Description: FCT Metal Backshell for D-Sub Connector, Shell Size 4, Straight Cable Outlet, Large Inner Chamber, with Rubber Bushing and 4-40 UNC Threaded Insert

Documents:

[Datasheet \(PDF\)](#)
[Brochure \(PDF\)](#)

[RoHS Certificate of Compliance \(PDF\)](#)

General

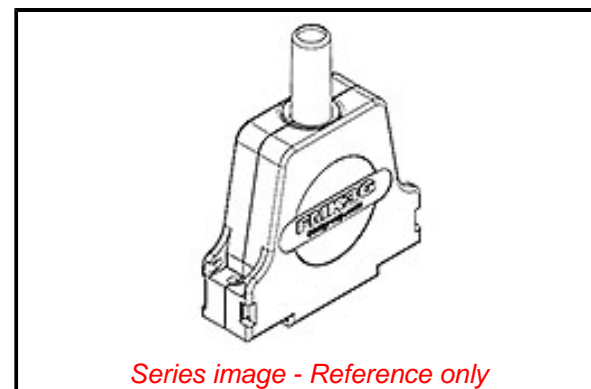
Product Family	D-Sub Products
Series	173111
Overview	FCT D-Sub Connectors
Product Category	Backshell
Product Name	FCT Products
Type	Rugged Metal
UPC	889056487740

Physical

Cable Diameter	3.00-12.00mm
Material - Backshell	Zinc Die-cast
Material - Bushing	TPE
Mounting Style	Threaded Insert
Net Weight	97.300/g
Orientation	Straight
Packaging Type	Carton
Plating - Backshell	Nickel
Shield Type	Solid Metal
Shielded	Yes
Temperature Range - Operating	-35° to +100°C
Thread Size	4-40 UNC
Thread Type	Standard
Tightening Test Torque	40 Ncm
Waterproof / Dustproof	No

Material Info

Engineering Number	FMK4G-K774
--------------------	------------



Series image - Reference only

EU ELV

Not Relevant

EU RoHS

Not Reviewed

REACH SVHC

Not Reviewed

Halogen-Free

Status

Not Reviewed

For more information, please visit [Contact US](#)

China ROHS

Not Reviewed

ELV

Not Relevant

RoHS Phthalates

Not Reviewed

Search Parts in this Series

[173111 Series](#)

Use With

FCT D-sub, Size 4

Mouser Electronics

Authorized Distributor

Click to View Pricing, Inventory, Delivery & Lifecycle Information:

[Molex:](#)

[173111-0074](#)