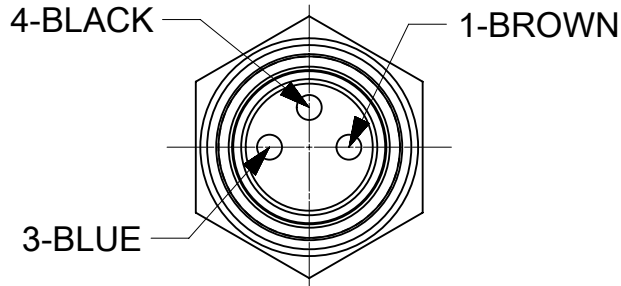
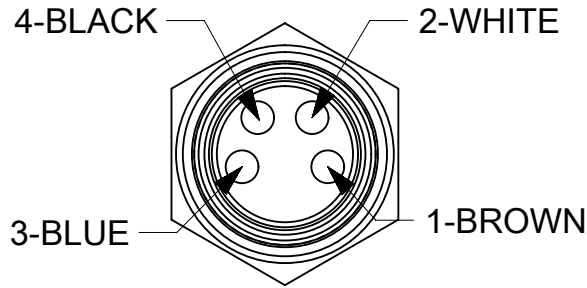


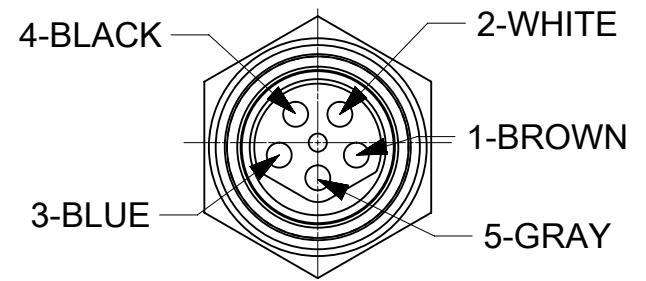
M8 3POLE MALE



M8 4POLE MALE



M8 5POLE MALE

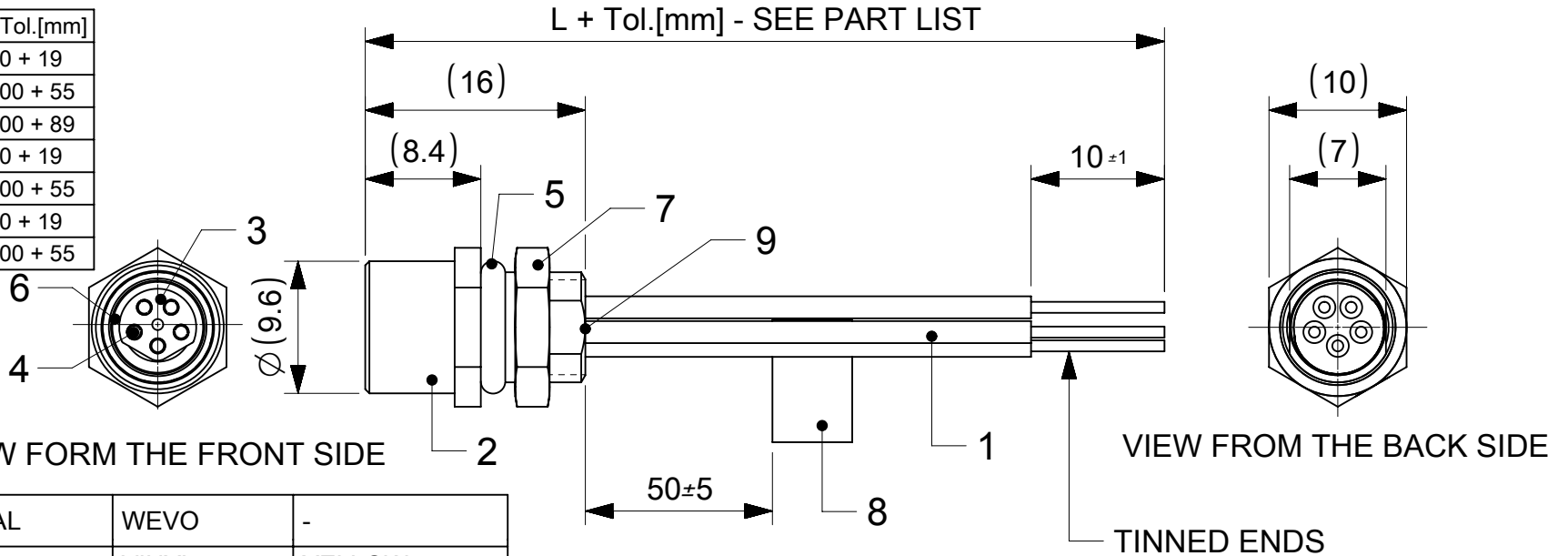


VIEWS FROM THE FRONT SIDE

PART LIST

MOLEX PN	ENGINEERING PN	L+Tol.[mm]
1200900016	4R3P00A27C300	300 + 19
1200900018	4R3P00A27M010	1000 + 55
1200900019	4R3P00A27M020	2000 + 89
1200900029	4R4P00A27C300	300 + 19
1200900031	4R4P00A27M010	1000 + 55
1200900037	4R5P00A27C300	300 + 19
1200900076	4R5P00A27M010	1000 + 55

L + Tol.[mm] - SEE PART LIST



VIEW FORM THE FRONT SIDE

VIEW FROM THE BACK SIDE

TINNED ENDS

BOM

9	-	POTTING MATERIAL	WEVO	-
8	1	LABEL	VINYL	YELLOW
7	1	LOCKNUT M8X0.5	BRASS	NICKEL PLATED
6	1	GASKET	FKM	RED
5	1	O-RING	NBR	BLACK
4	3/4/5	CONTACT 10 FE	BRONZE	GOLD OVER NICKEL PLATED
3	1	INSERT M8 FE XP	ELASTOLLAN	BLACK
2	1	REC SHELL M8(FE)XM8(M)	BRASS	NICKEL PLATED
1	-	WIRES;24AWG;OD=1.43mm	PVC	-
ITEM	QTY	DESCRIPTION	MATERIAL	FINISH/COLOR

SYMBOLS		THIS DRAWING CONTAINS INFORMATION THAT IS PROPRIETARY TO MOLEX ELECTRONIC TECHNOLOGIES, LLC AND SHOULD NOT BE USED WITHOUT WRITTEN PERMISSION	
SYMBOL	VALUE	DIMENSION UNITS	SCALE
∇ = 0	0	mm	2:1
∇ = 0	0	GENERAL TOLERANCES (UNLESS SPECIFIED)	
∇ = 0	0	ANGULAR TOL ± 1.0°	
∇ = 0	0	4 PLACES	±
∇ = 0	0	3 PLACES	±
∇ = 0	0	2 PLACES	± 0.05
∇ = 0	0	1 PLACE	± 0.3
∇ = 0	0	0 PLACES	± 0.5
∇ = 0	0	DRAFT WHERE APPLICABLE MUST REMAIN WITHIN DIMENSIONS	
∇ = 0	0	THIRD ANGLE PROJECTION	DRAWING
∇ = 0	0	CURRENT REV DESC:	
		EC NO: 605345	
		DRWN: MKOWALCZYK01	2018/10/02
		CHK'D: MIWASIECZKO	2018/10/03
		APPR: MIWASIECZKO	2018/10/03
		INITIAL REVISION:	
		DRWN: MKOWALCZYK01	2018/10/02
		APPR: MIWASIECZKO	2018/10/03
		DRAFT	A4-SIZE
		SERIES	120090
		MATERIAL NUMBER	SEE PART LIST
		CUSTOMER	GENERAL MARKET
		SHEET NUMBER	1 OF 1

**molex**

NC XP F/FR XM M8 X 0.5

PRODUCT CUSTOMER DRAWING

DOCUMENT NUMBER DOC TYPE DOC PART REVISION

1200908076

PSD 000 A

DOCUMENT STATUS P1 RELEASE DATE 2018/10/03 13:41:36

# Mouser Electronics

Authorized Distributor

Click to View Pricing, Inventory, Delivery & Lifecycle Information:

[Molex:](#)

[1200908076](#)