

**PLEASE CHECK WWW.MOLEX.COM FOR LATEST PART INFORMATION**

**Part Number:** [1200740030](#)  
**Status:** **Active**  
**Overview:** Brad Micro-Change (M12) Connectors  
**Description:** Micro-Change (1/2" - 20 UNF) US Dual Keyway Receptacle, 2 Poles, 1/4" -18 NPT Mounting Threads, Male (Straight) to 22 AWG PVC Leads, 0.305m (1.0') Length

**Documents:**

[Drawing \(PDF\)](#) [RoHS Certificate of Compliance \(PDF\)](#)

**Agency Certification**

CSA LR6837  
 UL E152210

**General**

Product Family Industrial Receptacles  
 Series [120074](#)  
 IP Rating IP67  
 NEMA Rating NEMA 6  
 Overview [Brad Micro-Change \(M12\) Connectors](#)  
 Product Name Micro-Change (1/2" - 20 UNF)  
 Type Single Ended (pigtail)  
 UPC 78678822664

**Physical**

Coupling Type External Thread  
 Gender Male  
 Keyway Dual  
 Length 0.305m  
 Material - Component Gray Anodized Aluminum  
 Mounting Thread Size 1/4" - 18 NPT  
 Net Weight 14.240g  
 Orientation Straight  
 Panel Mount Front  
 Poles 2  
 Temperature Range - Operating -20° to +80°C  
 Wire Size AWG 22  
 Wire/Cable Type Leads, UL 1061

**Electrical**

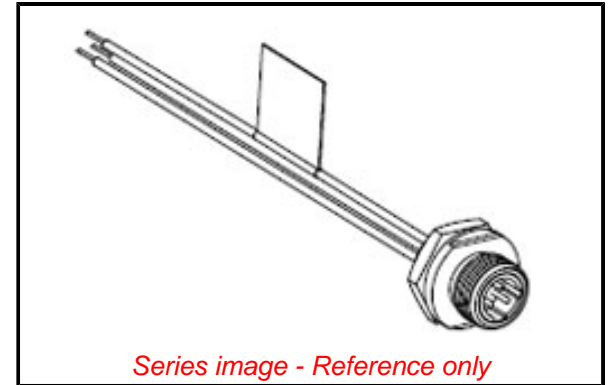
Current - Maximum per Contact 4.0A  
 Voltage - Maximum 250V AC/DC

**Material Info**

Engineering Number 7R2A06A19A120

**Reference - Drawing Numbers**

Sales Drawing SD-120074-030-001



*Series image - Reference only*

**EU ELV**

**Not Relevant**

**EU RoHS**

**Compliant with Exemption 6(b)-II,6(c)**

**REACH SVHC**

Contained Per - D(2021)4569-DC (8 July 2021)  
 Lead

**Halogen-Free**

**Status**

**Not Low-Halogen**

For more information, please visit [Contact US](#)

China ROHS

ELV

RoHS Phthalates

**China RoHS**

50 Image

Not Relevant

Not Contained

**Search Parts in this Series**

120074 Series

# Mouser Electronics

Authorized Distributor

Click to View Pricing, Inventory, Delivery & Lifecycle Information:

Molex:

[1200740030](#) [7R2A06A19A120](#)