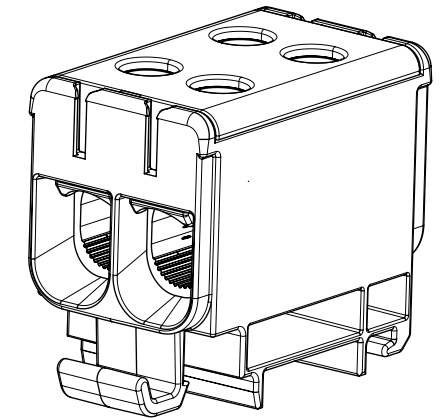
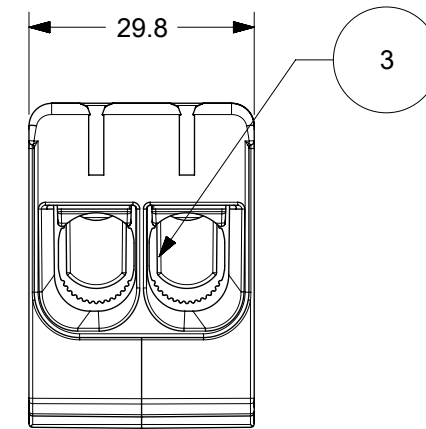
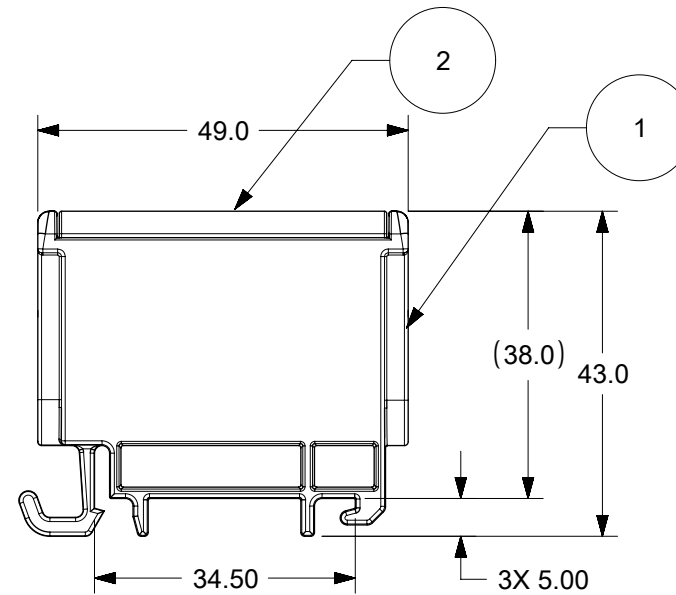
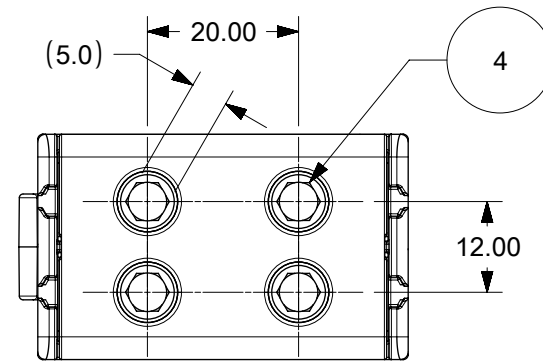


NOTES:

1. MOUNTING TYPE: DIN RAIL SIZE 35x7.5 mm.
2. VOLTAGE: 600 V.
3. CURRENT: Cu 150 A, Al 120 A.
3. WIRE CROSS-SECTION RANGE:
Cu/Al 6-1/0 AWG (13-53 mm²) STRANDED,
Cu 3x8 AWG (3X8.3mm²) STRANDED,
Cu 2X6 AWG (2X13mm²) STRANDED.
4. HEAD CAP SCREW WITH 5mm HEXAGON SOCKET SIZE.
USE A TOOL WITH LENGTH ALLOWING FOR A FULL SCREW ENGAGEMENT.
5. RECOMMENDED TIGHTENING TORQUE:
90 lb-in (10Nm).
6. ALL ELECTRICAL AND MECHANICAL SPECIFICATIONS ARE PER UL1059 AS NOTED IN MOLEX UL AGENCY APPROVAL.
7. THE SUITABILITY OF THESE TERMINALS SHALL BE DETERMINED IN THE END-USE INVESTIGATION.
8. AS ENVIRONMENTAL BARRIER DIELECTRIC GREASE MAY BE PRESENT IN THE WIRING CHAMBER. ENSURE TO USE THE RECOMMENDED TIGHTING TORQUE FOR ALL CONDUCTORS.



2016060663	MX-KE66.3	UCLP 1PL GRN/YLW 150A	GREEN	YELLOW
2016060662	MX-KE66.2	UCLP 1PL GRY/BLU 150A	GREY	BLUE
2016060660	MX-KE66	UCLP 1PL GRY/GRY 150A	GREY	GREY
MATERIAL No.	ENGINEERING No.	DESCRIPTION	HOUSING COLOR	COVER COLOR

4	4	SCREW, SET	ALUMINUM
3	1	CAGE	ALUMINUM
2	1	COVER	POLYAMIDE
1	1	HOUSING	POLYAMIDE
ITEM	QTY	DESCRIPTION	MATERIAL

THIS DRAWING CONTAINS INFORMATION THAT IS PROPRIETARY TO MOLEX ELECTRONIC TECHNOLOGIES, LLC AND SHOULD NOT BE USED WITHOUT WRITTEN PERMISSION

EC NO: 120665 DRWN: WLEUNG CHKD: DNGUYEN62 APPR: JFMURPHY	2017/08/14 2017/08/15 2017/08/18	GENERAL TOLERANCES (UNLESS SPECIFIED) ANGULAR TOL ± °	DIMENSION UNITS: mm SCALE: 1:1				
	4 PLACES ± 3 PLACES ± 2 PLACES ± SEE CHART 1 PLACE ± SEE CHART 0 PLACES ±	DRWN BY: WLEUNG DATE: 2017/08/14	CHK'D BY: DNGUYEN62 DATE: 2017/08/15				
	DRAFT WHERE APPLICABLE MUST REMAIN WITHIN DIMENSIONS	APPR BY: JFMURPHY DATE: 2017/08/18	DRAWING SIZE: B THIRD ANGLE PROJECTION	SERIES: 201606 MATERIAL NUMBER: SEE CHART	CUSTOMER:		
	RELEASE STATUS: P1 RELEASE DATE: 18.08.2017 19:46:47	TOLERANCE ISO 2768-m >0.5=3 ±0.1 >3=6 ±0.1 >6=30 ±0.2 >30=120 ±0.3 >120=400 ±0.5	DOCUMENT NUMBER: 2016060660 DOC TYPE: PSD DOC PART: 000 SHEET NUMBER: 1 OF 1				

Mouser Electronics

Authorized Distributor

Click to View Pricing, Inventory, Delivery & Lifecycle Information:

Molex:

[201606-0663](#) [201606-0662](#)