

PLEASE CHECK WWW.MOLEX.COM FOR LATEST PART INFORMATION

Part Number: [2002140036](#)
Status: **Active**
Overview: [Application Tooling](#)
Description: Impulse Right-Angle Female Insertion Tool for 4-Pair by 8-Column Assemblies, with Top Guide

Documents:

[RoHS Certificate of Compliance \(PDF\)](#)

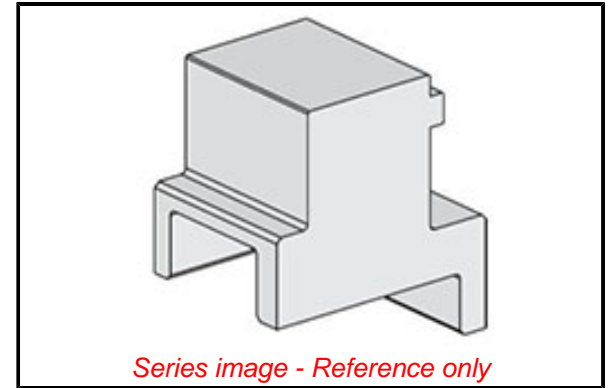
General

Product Family	Application Tooling
Series	207123
Comments	See Tooling Specification (PDF) Above
Function	Insertion
Geographic Area	Global
Level of Automation	Manual
More Detailed Tech Information	applicationtooling@molex.com
Overview	Application Tooling
Product Name	Impulse
Tool Type	Press-Fit Insertion Tool
UPC	193264182800
Warranty Disclaimer	CAUTION: Molex tooling crimp specifications are valid only when used with Molex terminals and tooling manufactured by Molex and sold by Molex or authorized distributors ("Molex Tooling"). When using tooling other than Molex Tooling with Molex specific connector systems listed in our ATS documents, the Molex tooling qualification does not apply and the responsibility for full qualification of the connector system is that of the customer. Molex accepts no liability for connector performance or tooling support where tooling other than Molex Tooling is used or where Molex Tooling is modified.

Material Info

Reference - Drawing Numbers

Application Tooling Documents [2002140036-000](#)



EU ELV

Not Relevant

EU RoHS

Not Relevant

REACH SVHC

Not Relevant

Halogen-Free

Status

Not Relevant

For more information, please visit [Contact US](#)

China ROHS

Not Relevant

ELV

Not Relevant

RoHS Phthalates

Not Relevant

Search Parts in this Series

[207123 Series](#)

Application Tooling

FAQ

Description

Product #

Impulse 90 Ohm

[1735409009](#)

4-Pair Orthogonal

Daughtercard,

2.00mm Pitch, Top

Guided,8 Columns,

32 Differential Pair

Mouser Electronics

Authorized Distributor

Click to View Pricing, Inventory, Delivery & Lifecycle Information:

[Molex:](#)

[200214-0036](#)